

[54] CRIB TOY

[75] Inventors: **Matthew A. Moustakas**, Mercerville;
Per O. Hoel, Plainsboro, both of N.J.

[73] Assignee: **CBS Inc.**, New York, N.Y.

[**] Term: **14 Years**

[21] Appl. No.: **670,354**

[22] Filed: **Mar. 25, 1976**

[51] Int. Cl. **D21-01**

[52] U.S. Cl. **D34/15 J**

[58] Field of Search **D34/15 D, 15 C, 15 J,**
D34/15 AG; 46/111, 174, 175 R, 177, 178,
179, 181, 190, 193, 220; 35/22 A

[56]

References Cited

U.S. PATENT DOCUMENTS

1,949,594	3/1934	Wightman	D34/15 J
D. 155,127	9/1949	Colvin	D34/15 R
D. 223,847	6/1972	Laughlin	D34/15 R
D. 236,141	7/1975	Snyder	D34/15 R

Primary Examiner—Joel Stearman
Assistant Examiner—C. A. Rademaker
Attorney, Agent, or Firm—Spencer E. Olson

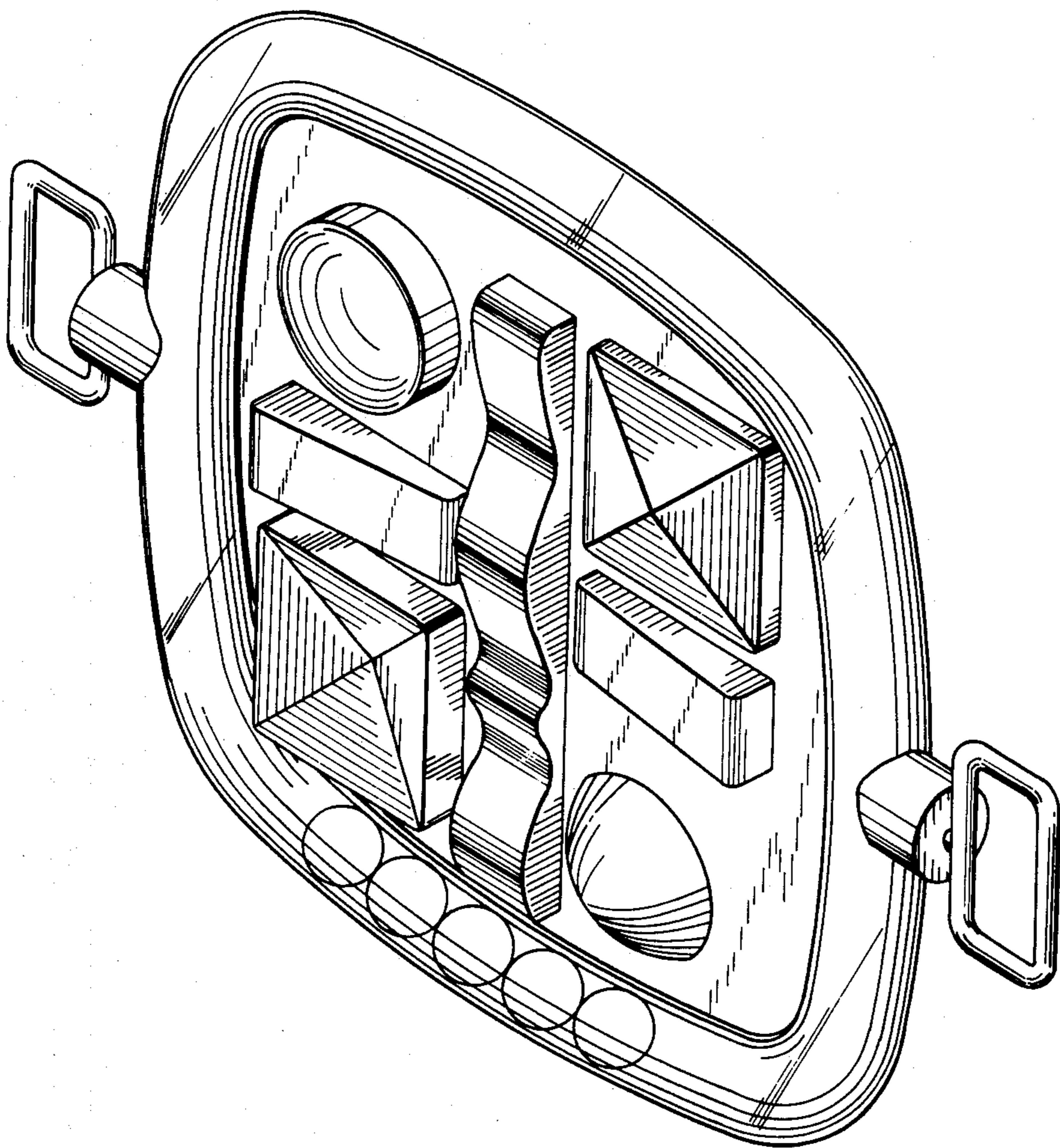
[57]

CLAIM

The ornamental design for a crib toy, substantially as shown and described.

DESCRIPTION

FIG. 1 is a front perspective view of a crib toy showing our new design;
FIG. 2 is a front elevational view thereof; and
FIG. 3 is a rear elevational view thereof.



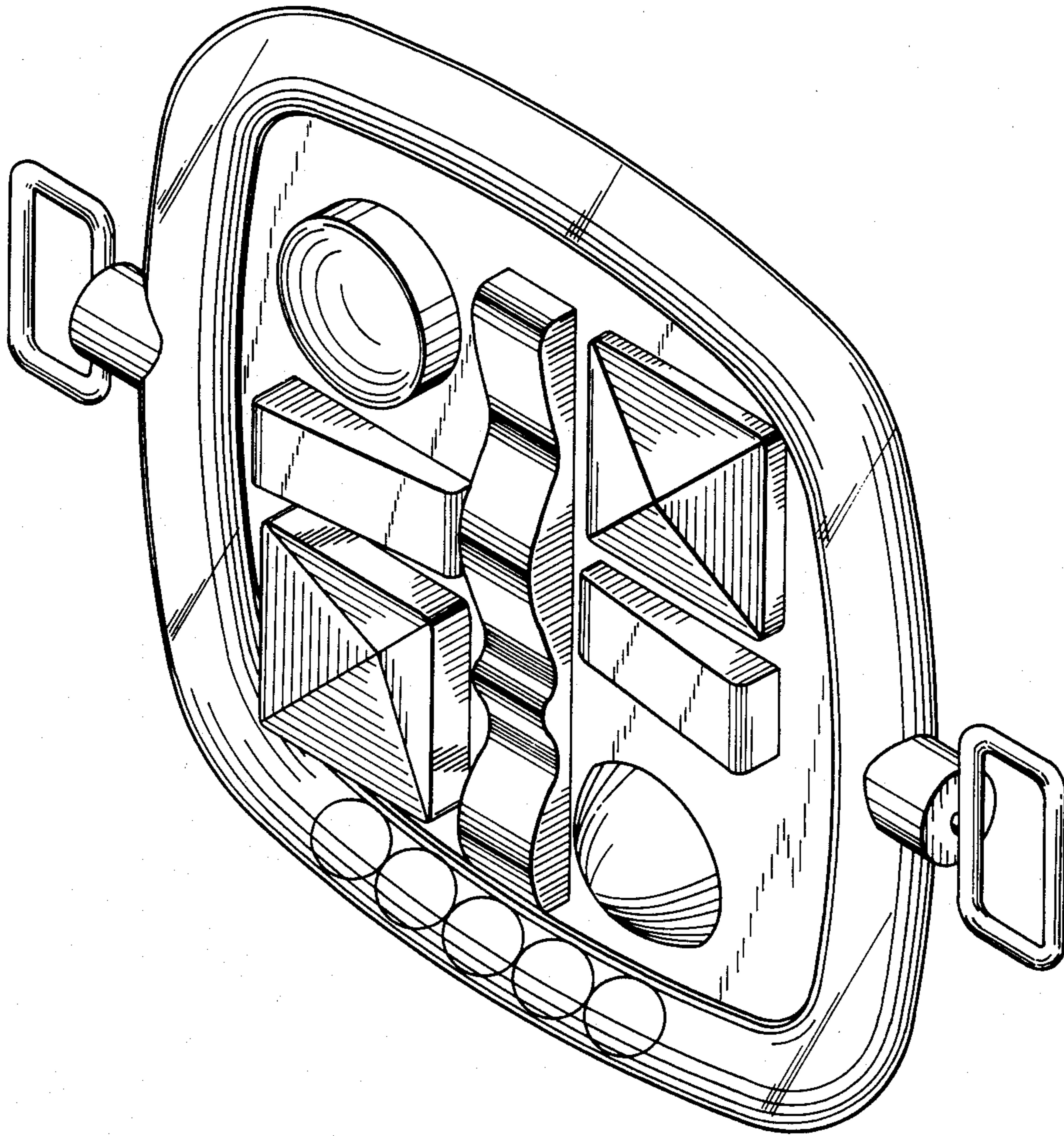


FIG. 1

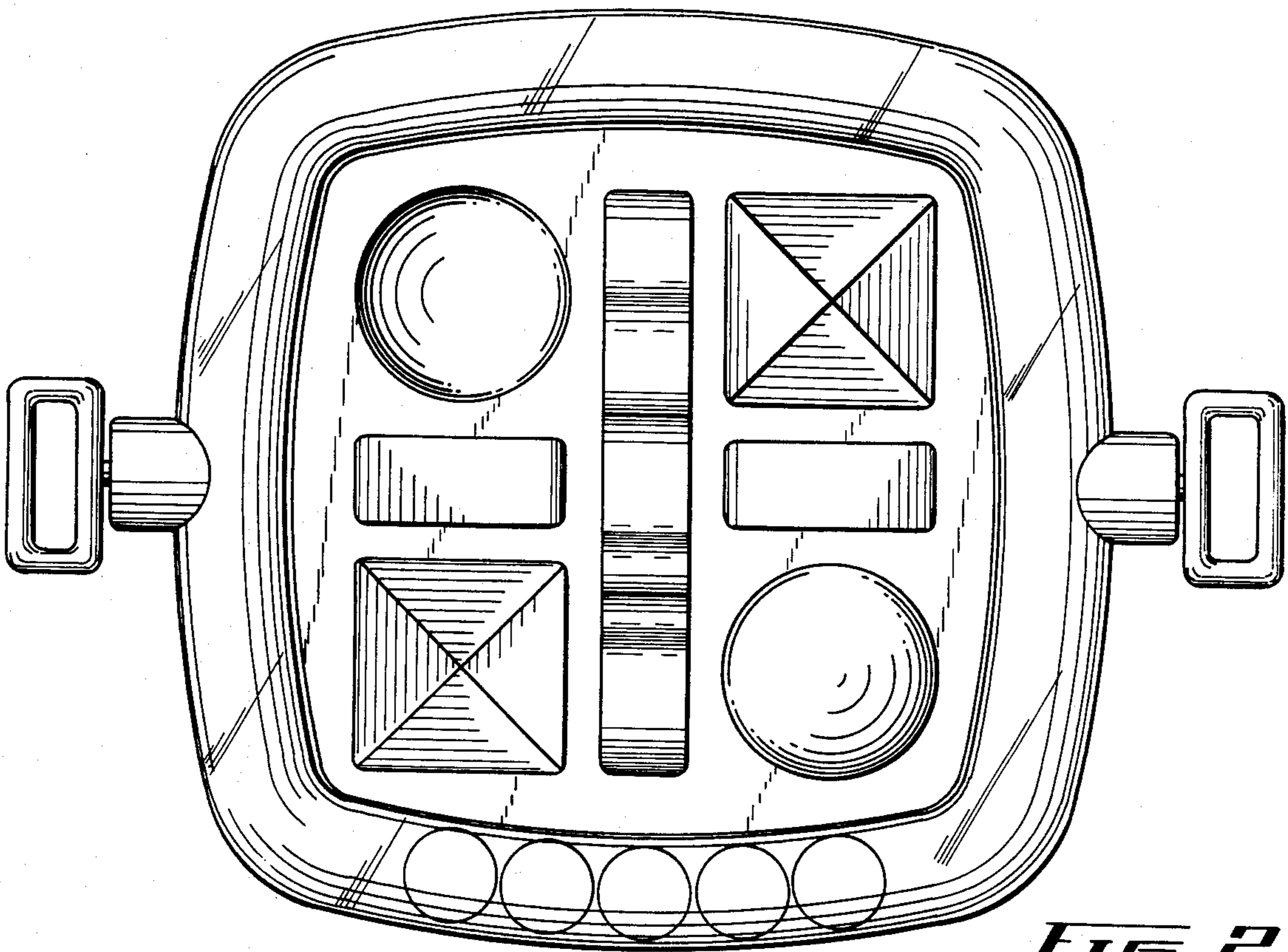


FIG. 2

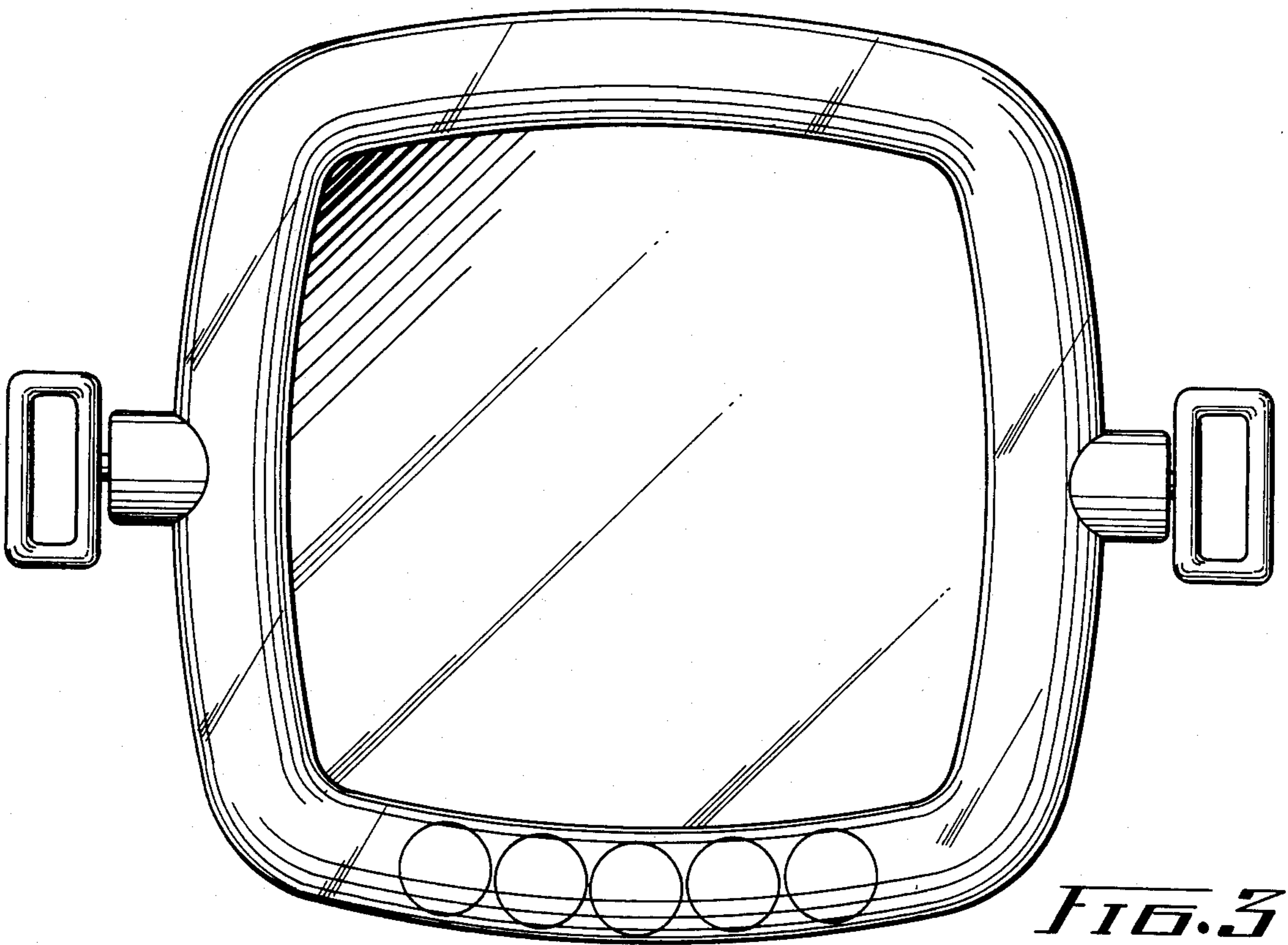


FIG. 3