

[54] **SELF-FEEDING PET FOOD BOWL**

[75] **Inventors: Robert D. Foley, Northridge; Glynn C. Morris, Playa Del Rey, both of Calif.**

[73] **Assignee: Carnation Company, Los Angeles, Calif.**

[\*\*] **Term: 14 Years**

[21] **Appl. No.: 659,244**

[22] **Filed: Feb. 19, 1976**

[51] **Int. Cl. .... D30-03**

[52] **U.S. Cl. .... D30/16**

[58] **Field of Search .... D30/13-18; 119/18, 52 R, 91**

2,699,752	1/1955	Reyes .....	119/52 R X
3,089,462	5/1963	Brockmann .....	119/52 R
3,359,868	11/1967	Woodling .....	119/52 R
3,611,998	10/1971	Loscalzo .....	D30/16 UX
3,763,826	10/1973	Portelli .....	119/52 R
D. 200,464	3/1965	Sachnoff et al. ....	D30/16
D. 212,191	9/1968	Mineo .....	D30/13
D. 232,658	9/1974	Fassauer .....	D30/13

*Primary Examiner*—James R. Largen  
*Attorney, Agent, or Firm*—Eugene C. Ziehm

[57] **CLAIM**

The ornamental design for a self-feeding pet food bowl, substantially as shown.

**DESCRIPTION**

FIG. 1 is a perspective view of a self-feeding pet food bowl showing our new design;  
 FIG. 2 is a front elevational view thereof;  
 FIG. 3 is a side elevational view thereof;  
 FIG. 4 is a top plan view thereof; and  
 FIG. 5 is a bottom plan view thereof.

[56] **References Cited**  
**U.S. PATENT DOCUMENTS**

204,562	6/1878	Gunther .....	119/18
2,174,725	10/1939	Hutaff, Jr. ....	119/18

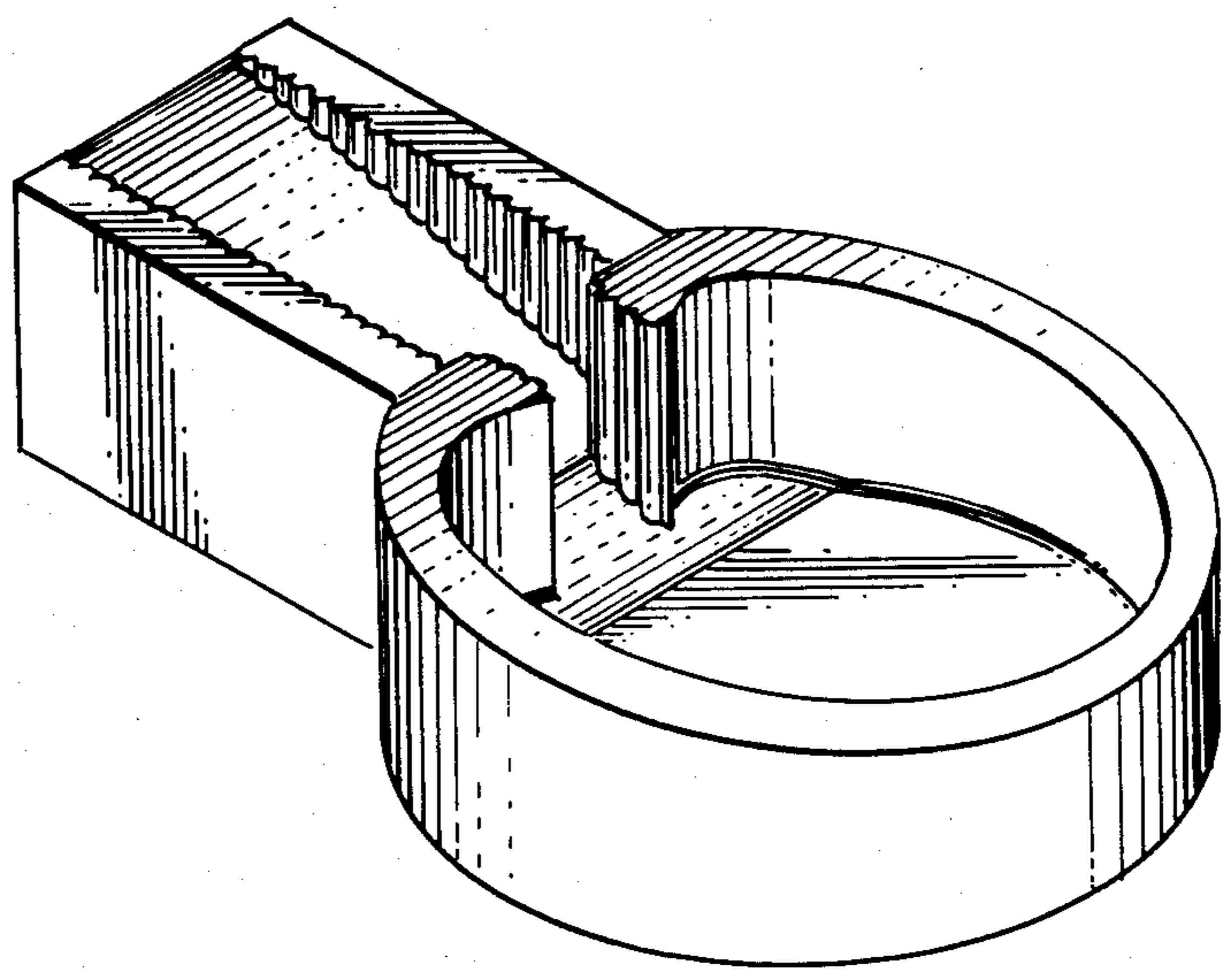


Fig. 1

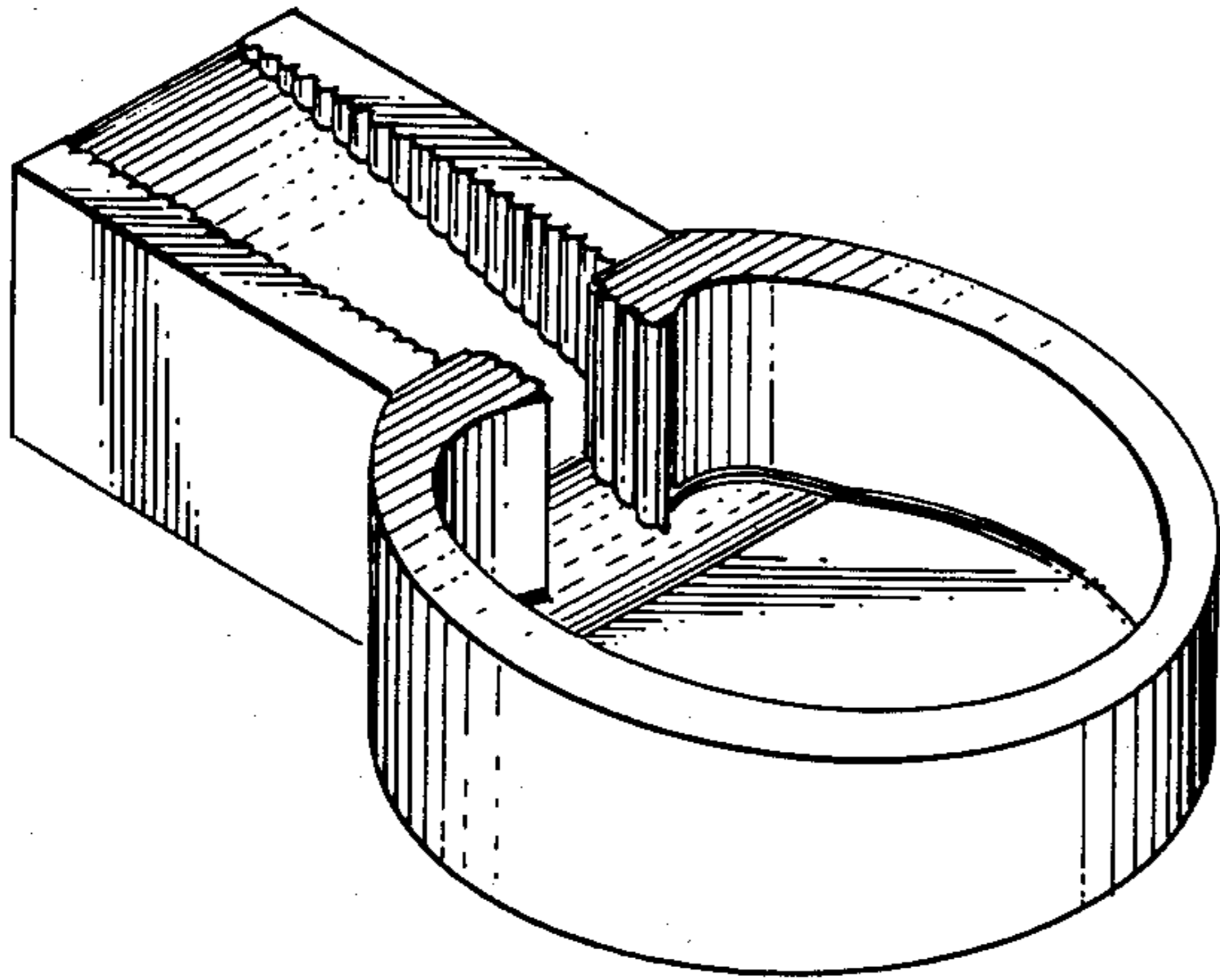


Fig. 2

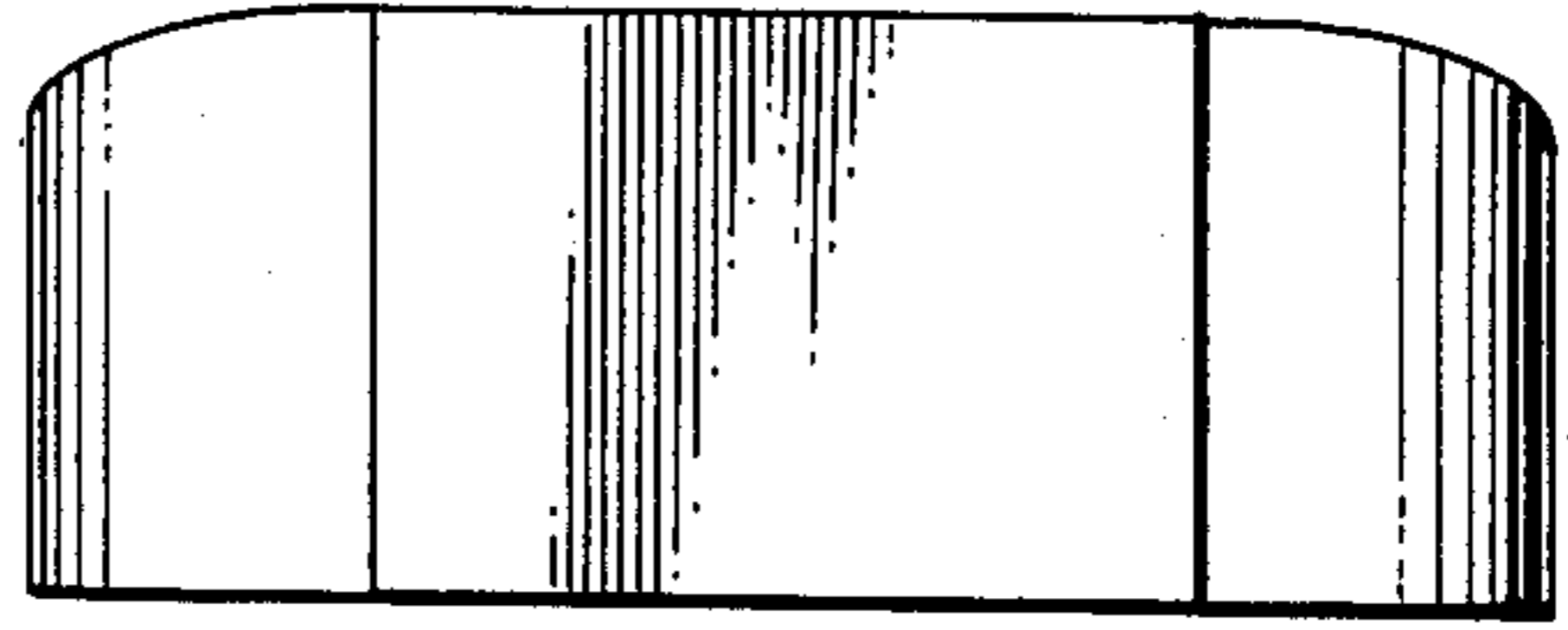


Fig. 3

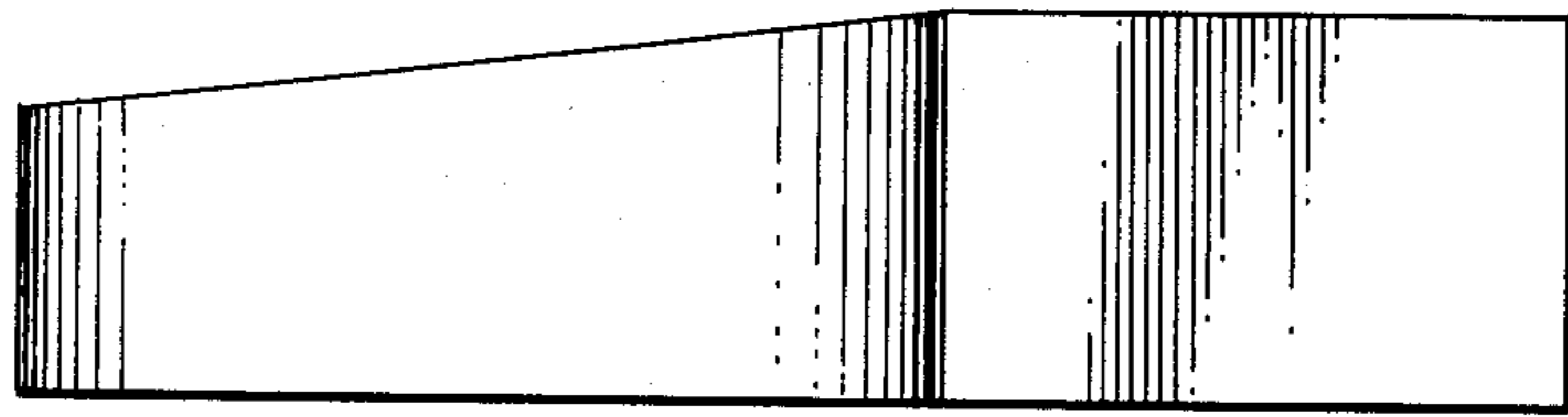


Fig. 4

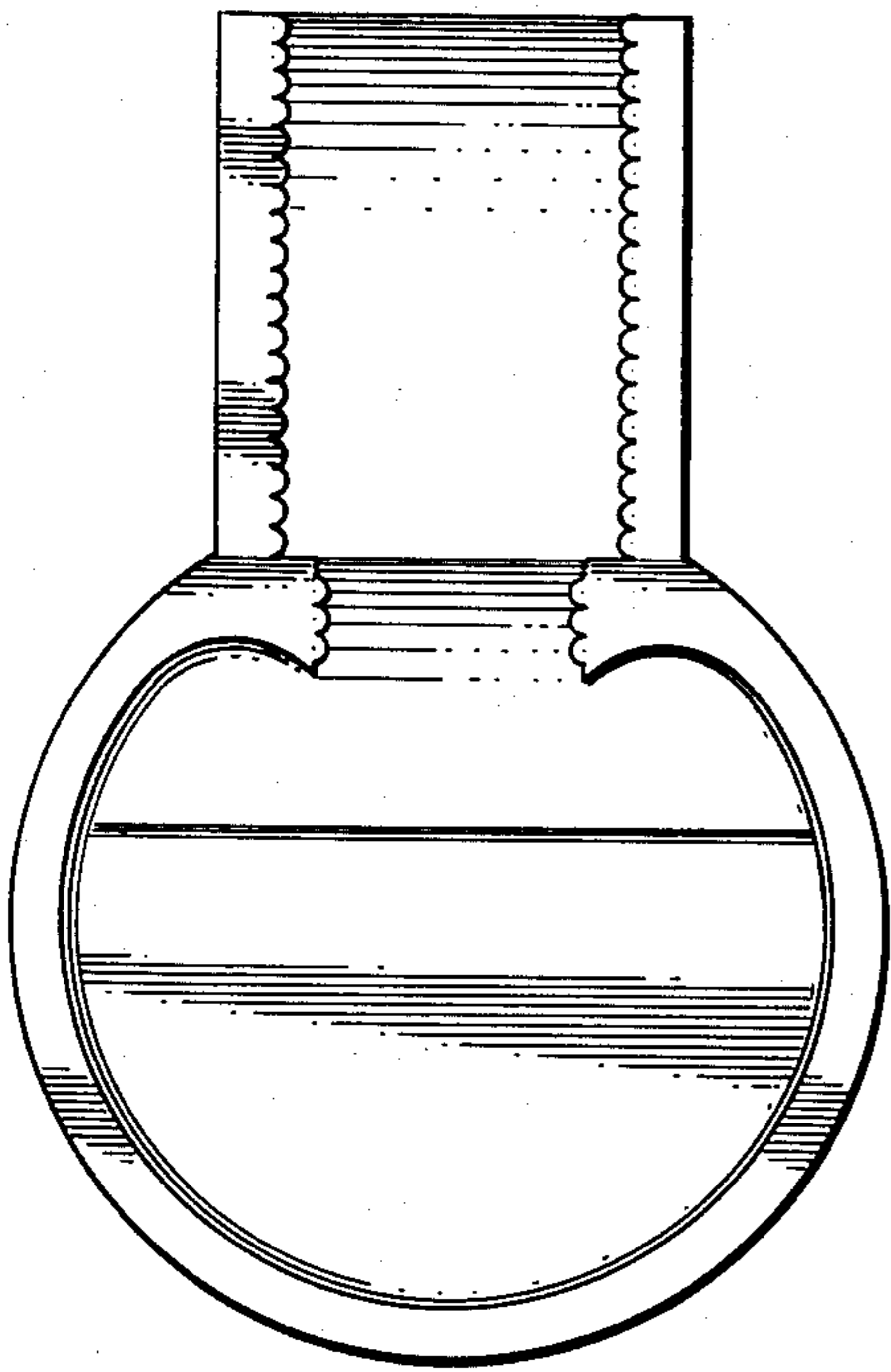


Fig. 5

