

[54] AQUARIUM

D. 229,839 1/1974 Schlesinger et al. D30/9

[76] Inventor: Wiley Kit Kaywood, 445 Sunset Parkway, Novato, Calif. 94947

OTHER PUBLICATIONS

Gifts & Decorative Access, 3/64, p. 61, item no. 11.

[**] Term: 14 Years

Primary Examiner—Joel Stearman

[21] Appl. No.: 551,516

Assistant Examiner—George P. Word

[22] Filed: Jan. 27, 1975

Attorney, Agent, or Firm—Donald C. Feix

Related U.S. Application Data

[57] CLAIM

The ornamental design for an aquarium, substantially as shown and described.

[63] Continuation of Ser. No. 300,701, Oct. 25, 1972, abandoned.

DESCRIPTION

[51] Int. Cl. D30-02

FIG. 1 is a top plan view of an aquarium embodying my new design;

[52] U.S. Cl. D30/6

FIG. 2 is a front elevational view;

[58] Field of Search D30/6-12;

FIG. 3 is a bottom plan view;

119/1, 2; D87/1 B

FIG. 4 is a rear elevational view;

FIG. 5 is a left end elevational view;

[56] References Cited

U.S. PATENT DOCUMENTS

FIG. 6 is a right end elevational view; and

FIG. 7 is a perspective view thereof with the lid in a raised position.

D. 92,776 7/1934 Shannon D30/12

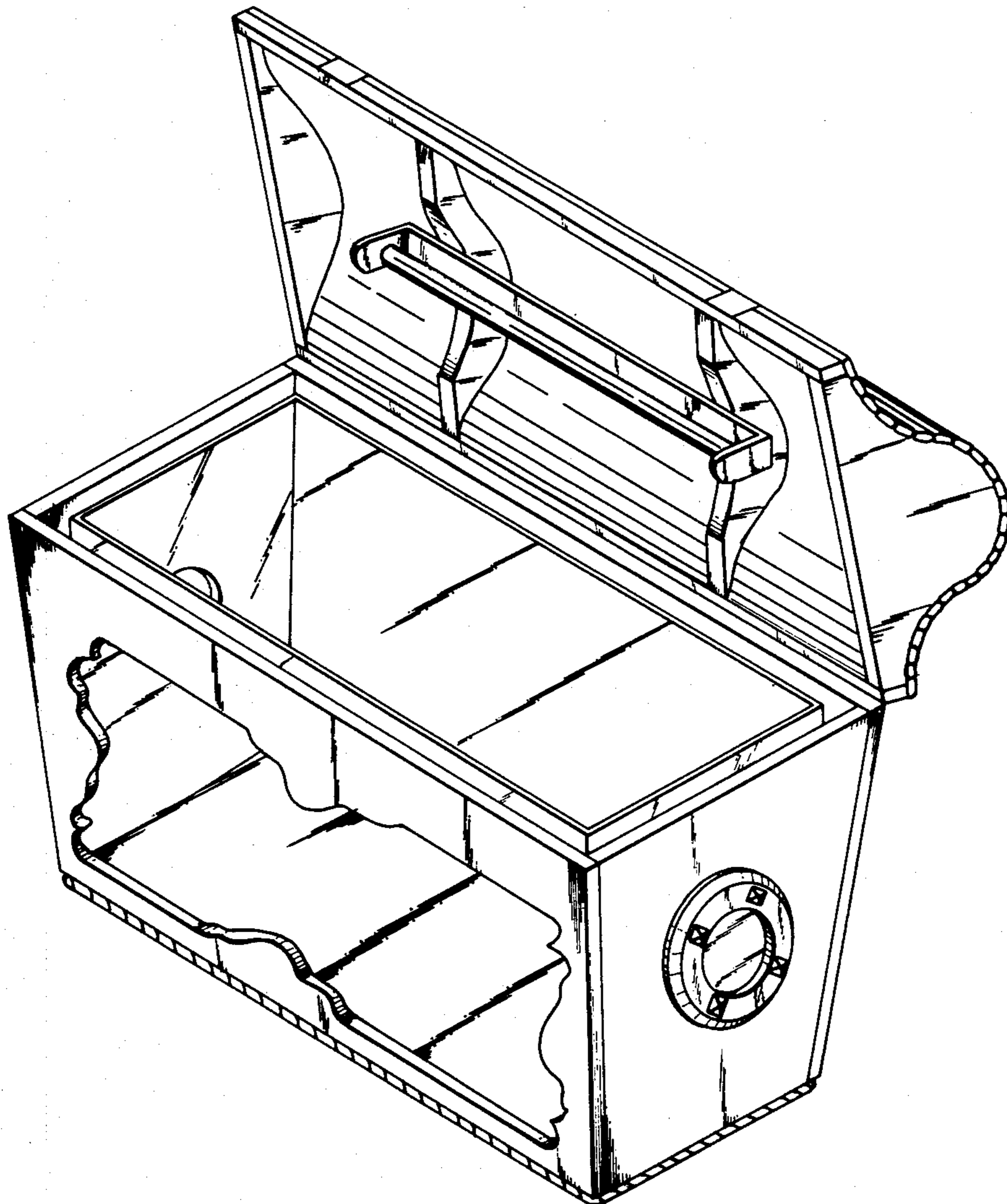


Fig. 1

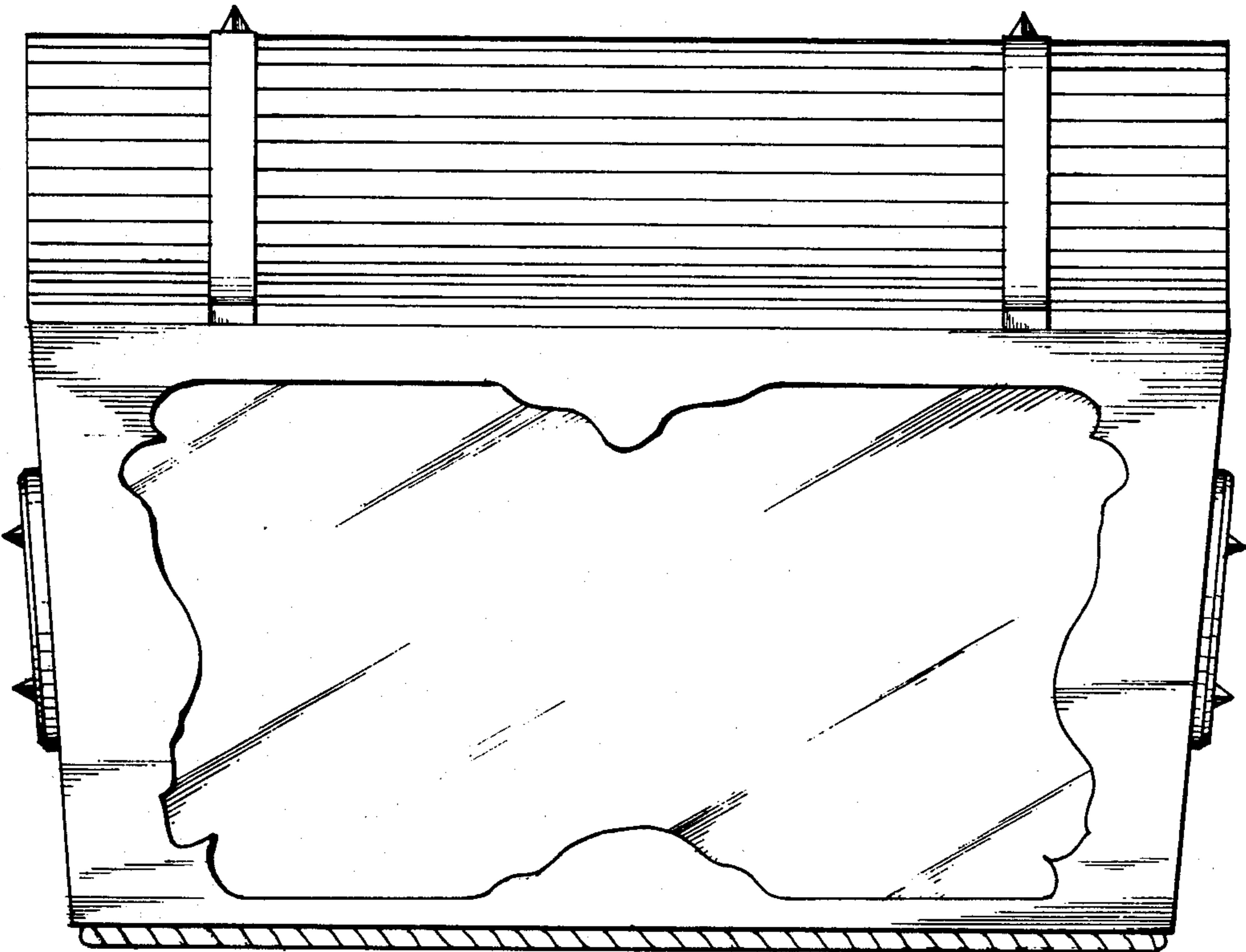
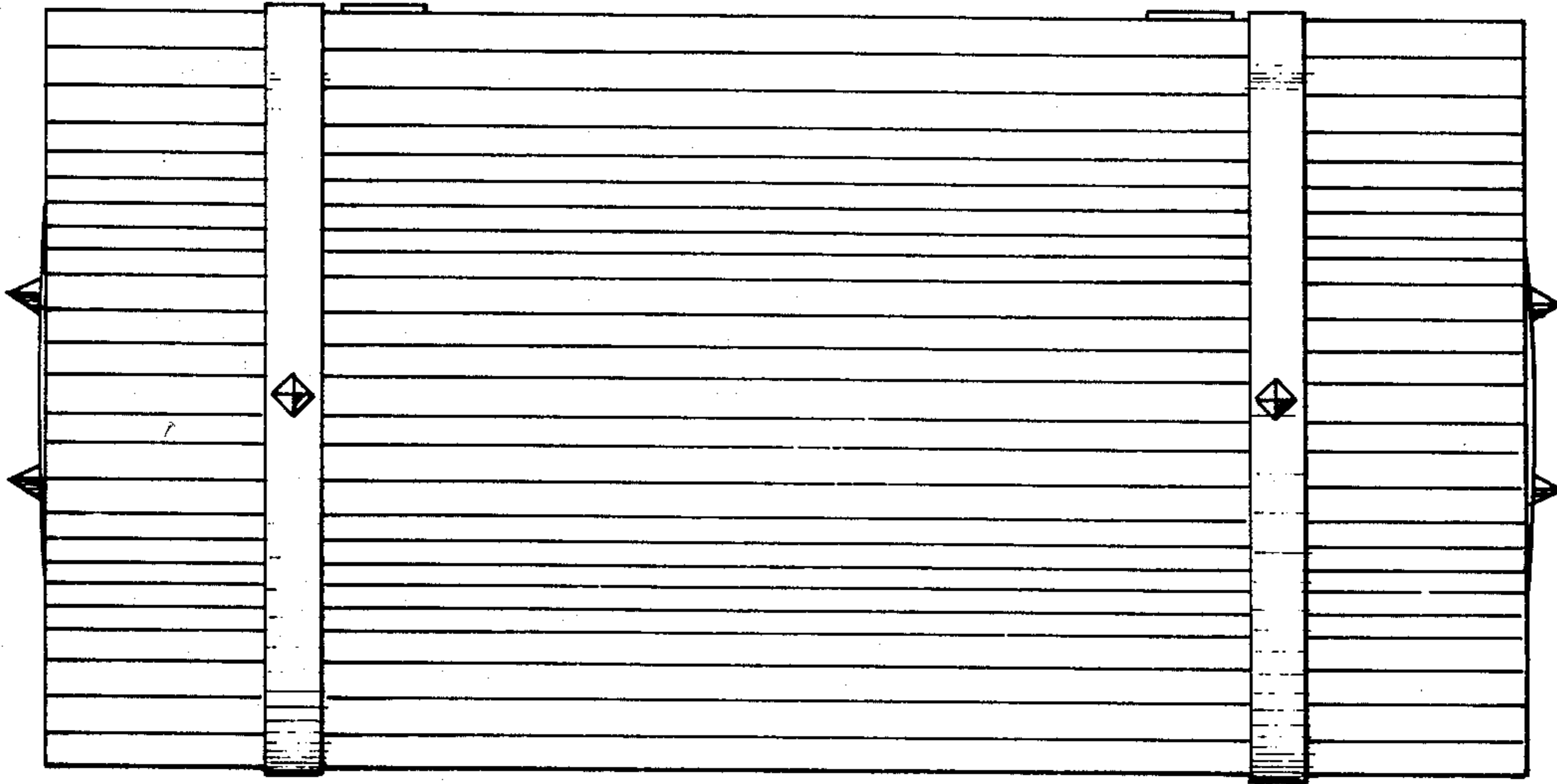


Fig. 2

Fig. 3

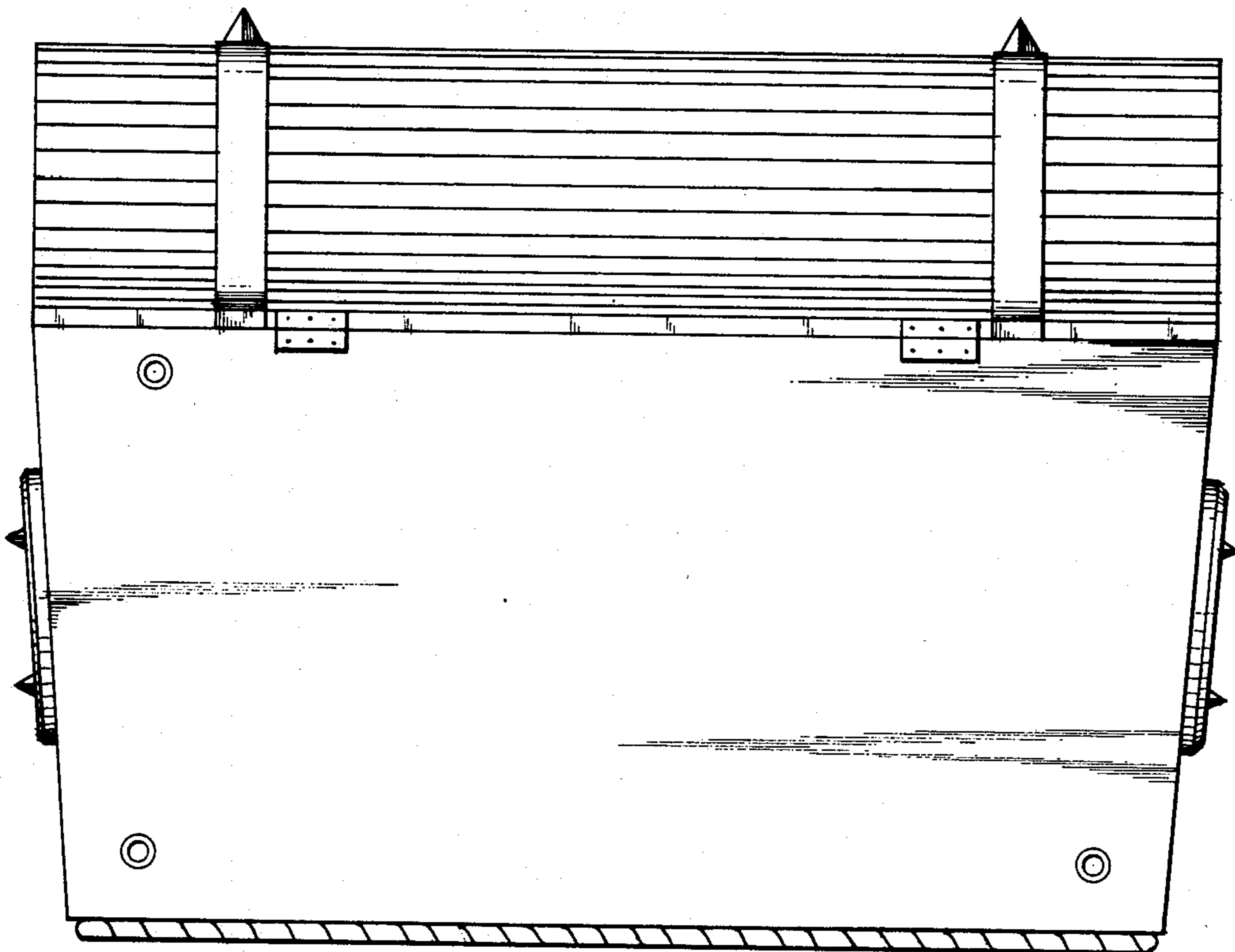
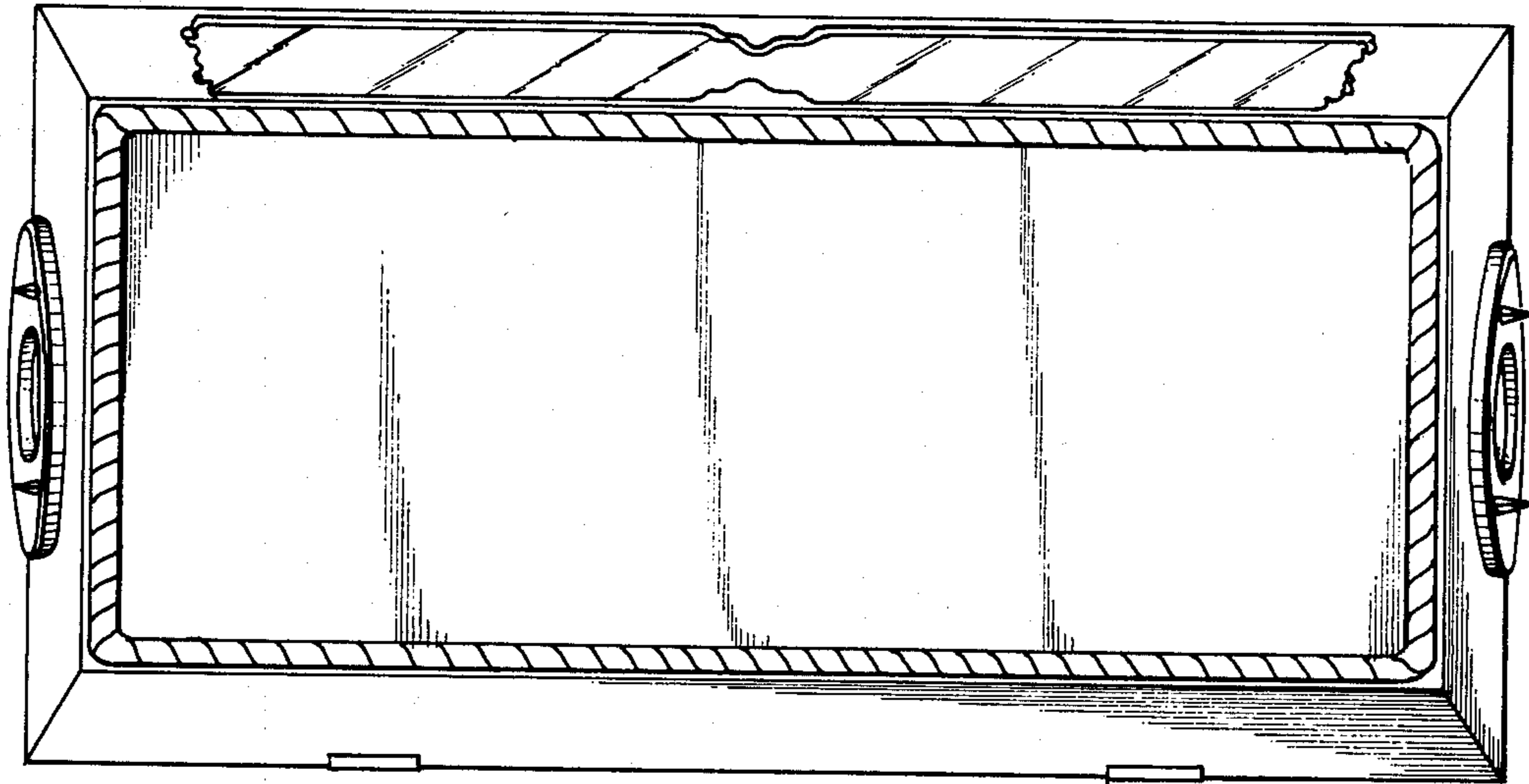


Fig. 4

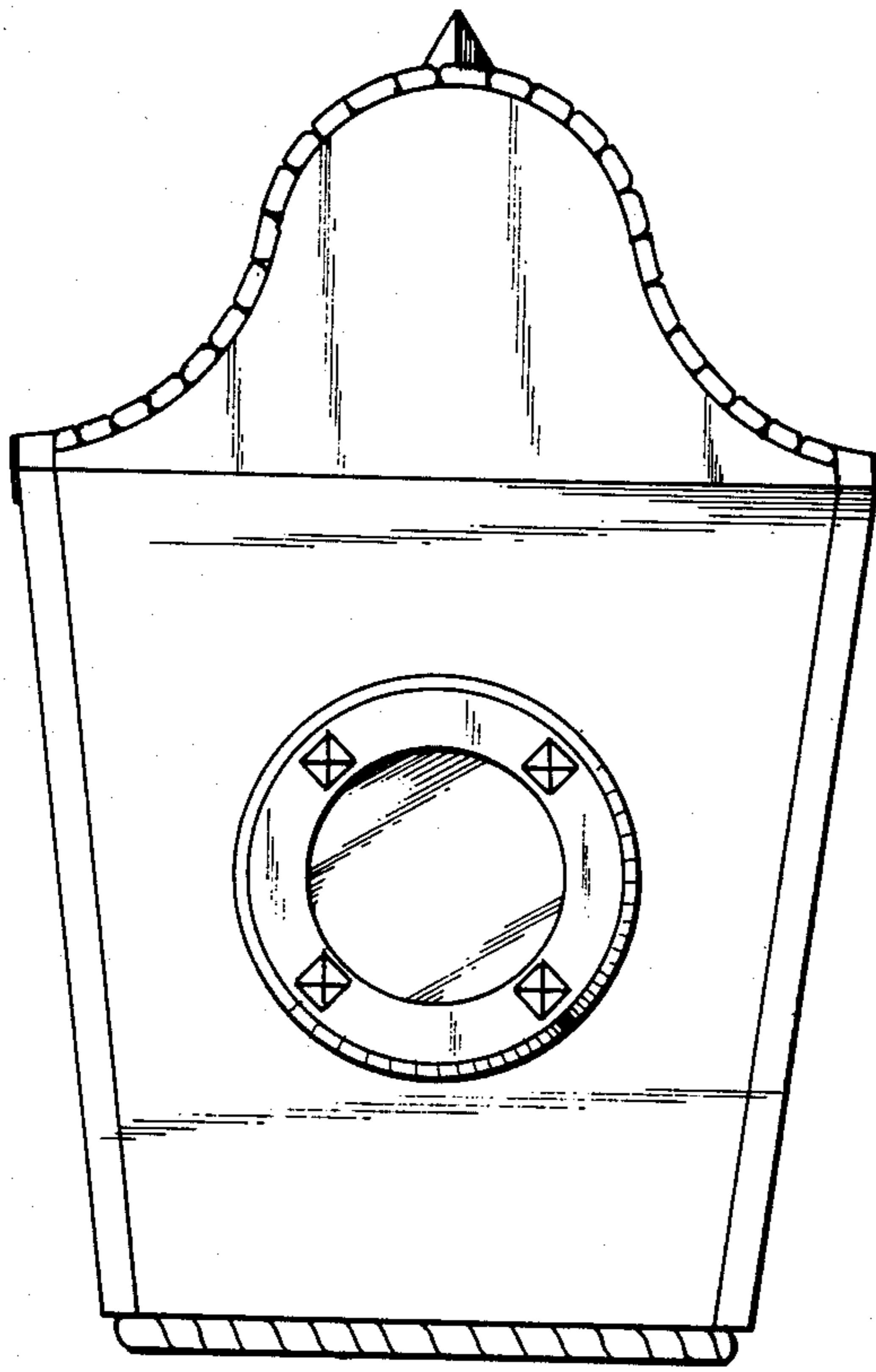


Fig. 5

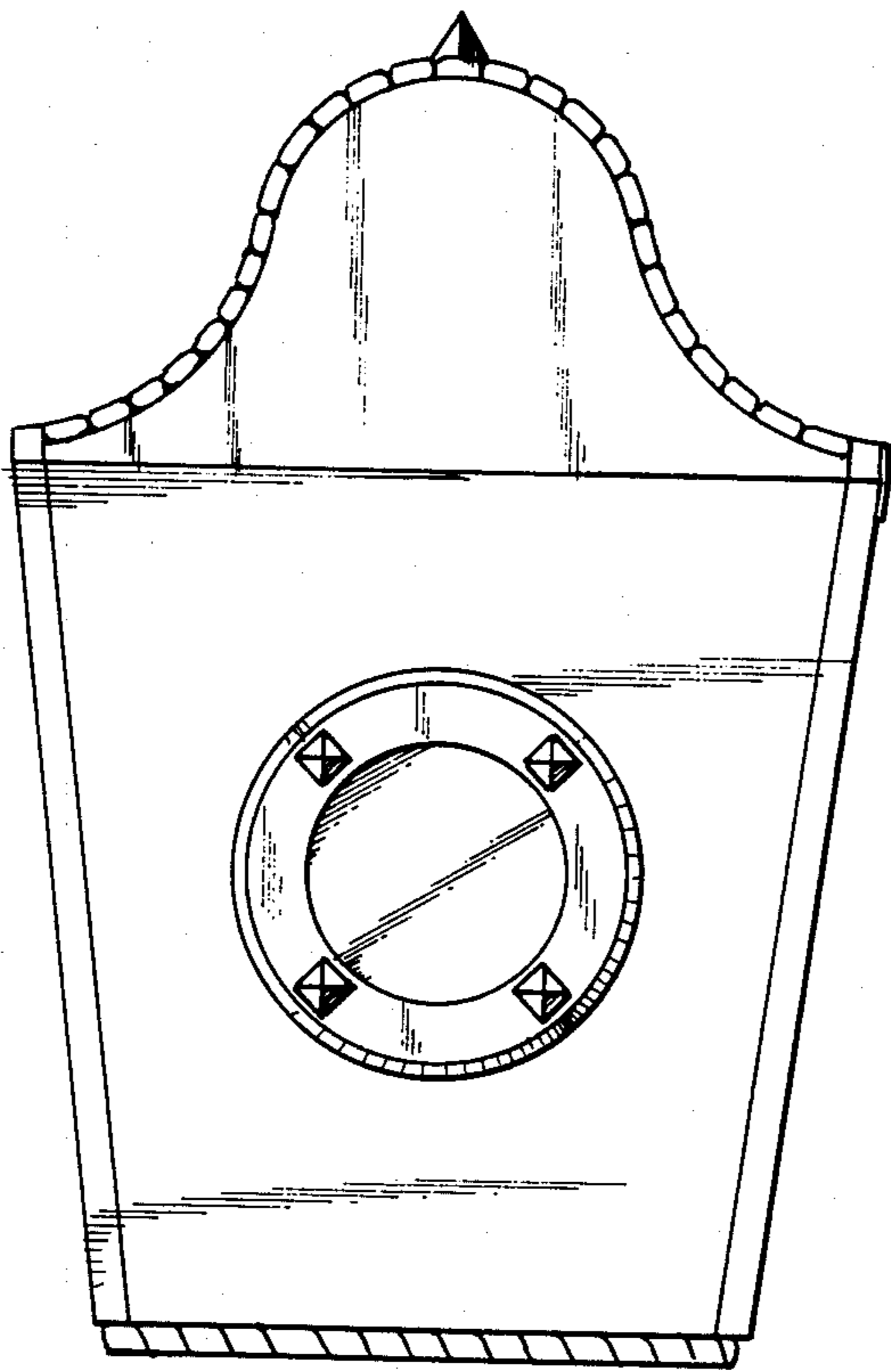


Fig. 6

Fig. 7

