

[54] **SYPHON**
 [75] **Inventor:** Le Roy M. Houk, Garden Grove, Calif.
 [73] **Assignee:** Wasco Products, Inc., Anaheim, Calif.
 [**] **Term:** 14 Years
 [21] **Appl. No.:** 638,738
 [22] **Filed:** Dec. 8, 1975
 [51] **Int. Cl.** D23-01
 [52] **U.S. Cl.** D23/40
 [58] **Field of Search** D23/40; 417/181.8, 185

1,950,172 3/1934 Gavaza 417/181
 2,112,290 3/1938 Holland 417/181
 3,470,826 10/1969 Foulds 417/181
 D. 124,316 12/1940 Longdin D23/40

Primary Examiner—James R. Largen
Attorney, Agent, or Firm—Louis J. Knobbe

[57] **CLAIM**

The ornamental design for a syphon, as shown.

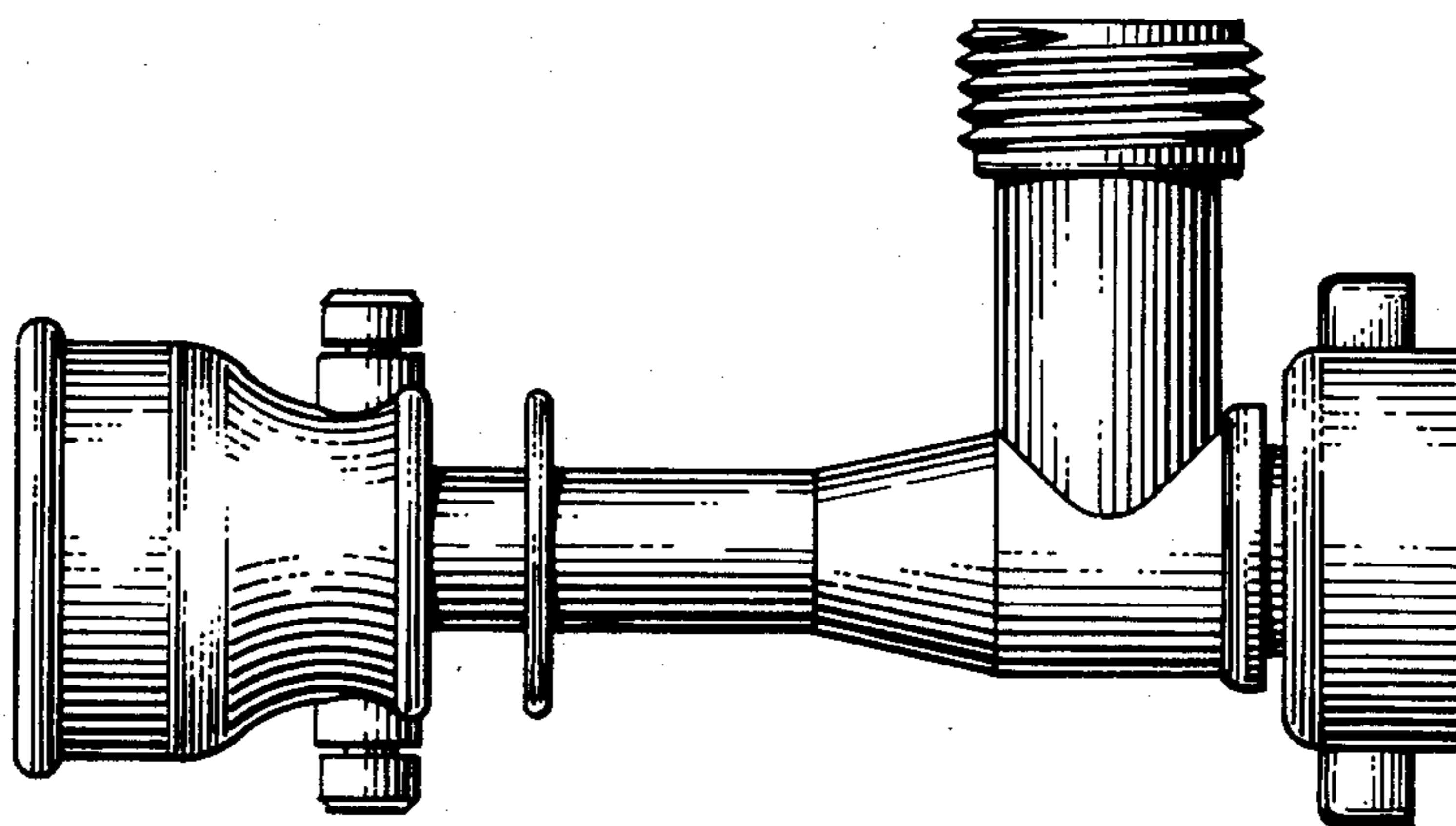
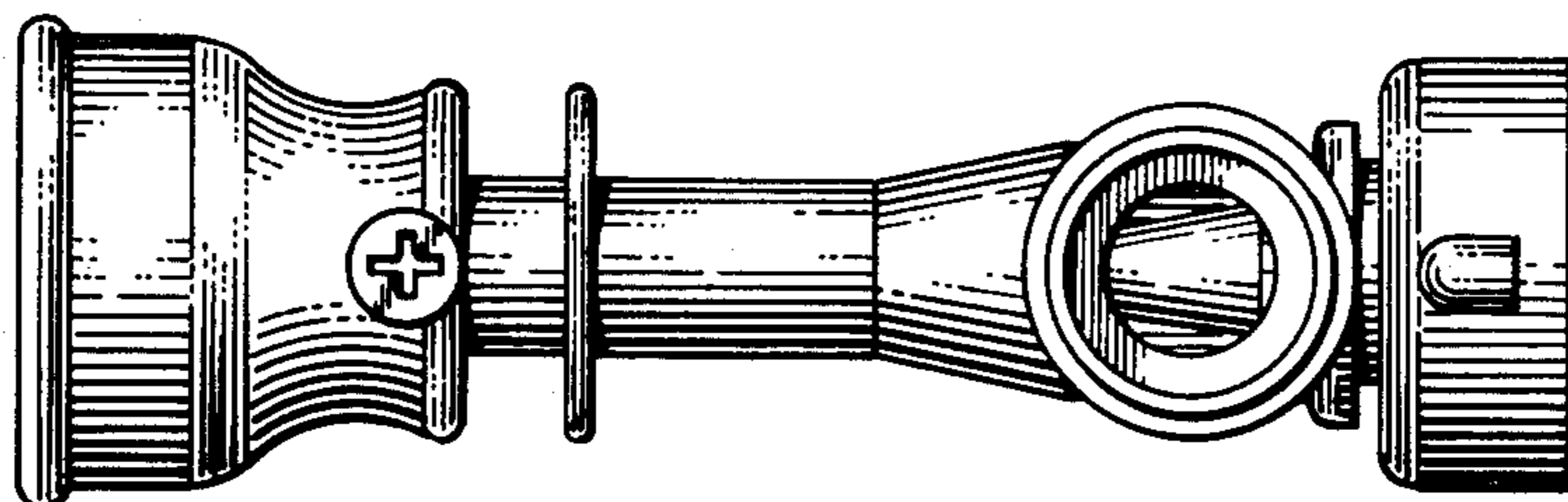
DESCRIPTION

FIG. 1 is a top plan view of a syphon showing my new design;
 FIG. 2 is an elevational view taken from one side thereof;
 FIG. 3 is an elevational view taken from one end thereof;
 FIG. 4 is an elevational view taken from the side opposite that shown in FIG. 2;
 FIG. 5 is a bottom plan view thereof; and
 FIG. 6 is an elevational view taken from the end opposite that shown in FIG. 3.

[56] **References Cited**

U.S. PATENT DOCUMENTS

905,818	12/1908	Langford	417/181
1,661,002	2/1928	McClymont et al.	417/181
1,930,284	10/1933	Reedy et al.	417/181
1,933,165	10/1933	Curtis	417/181



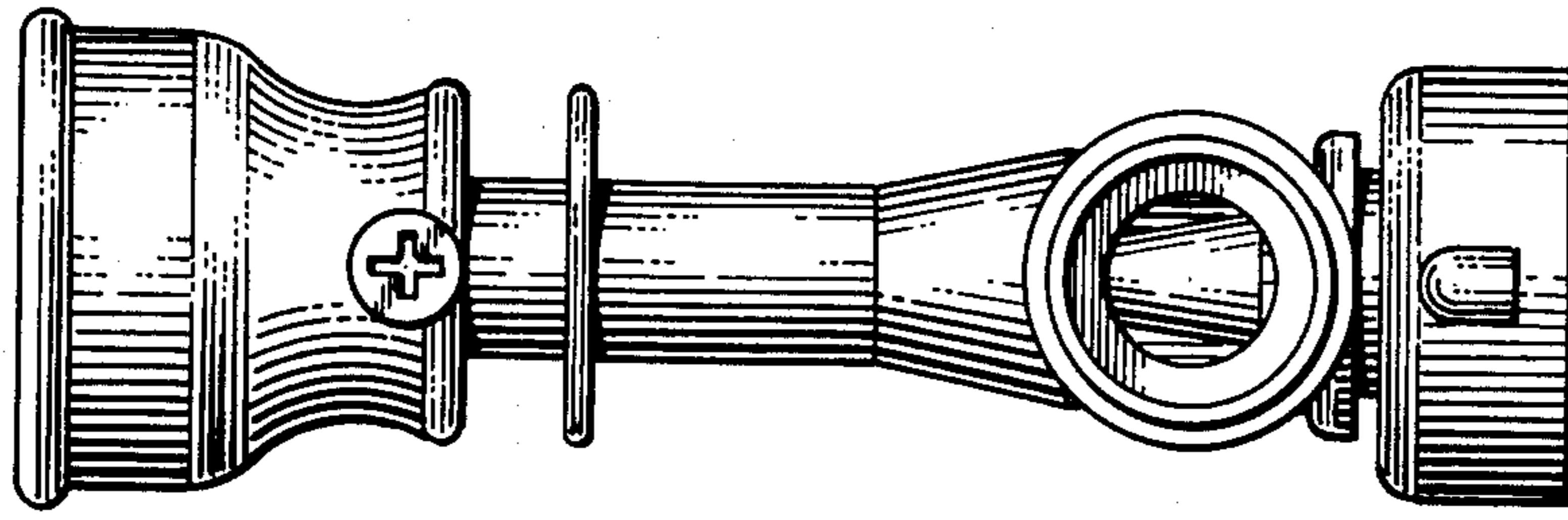


FIG. 1

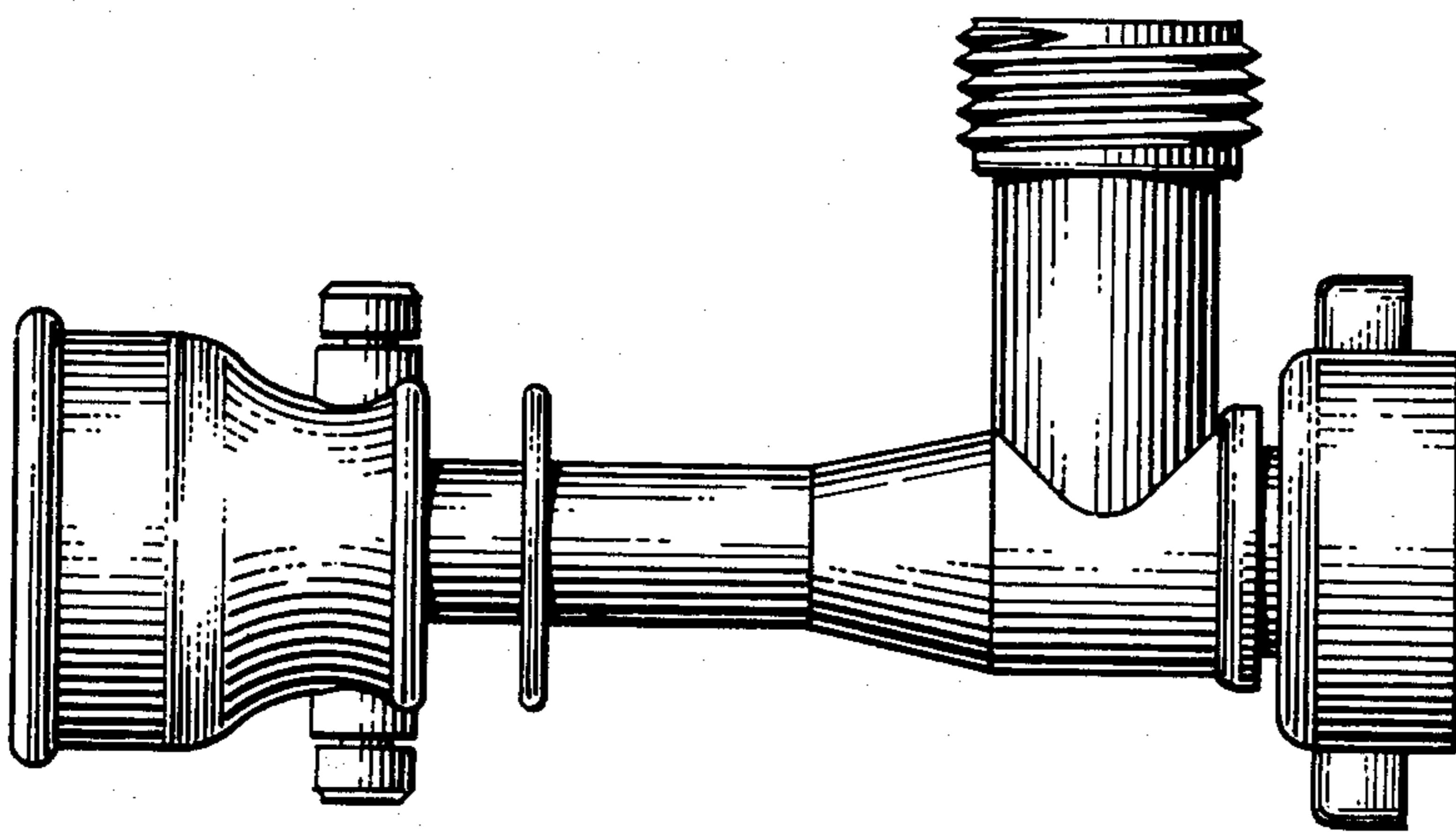


FIG. 2.

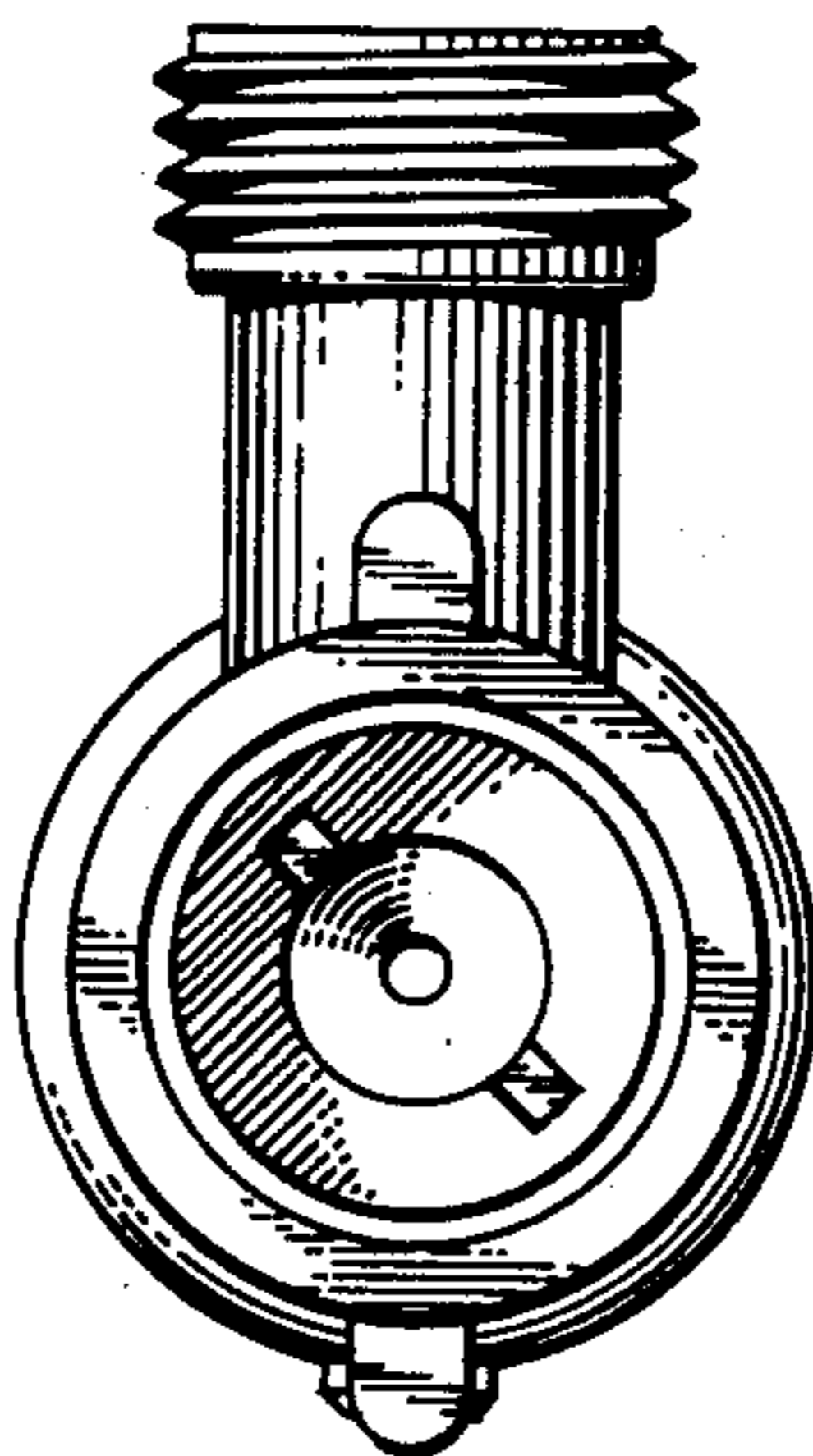


FIG. 3.

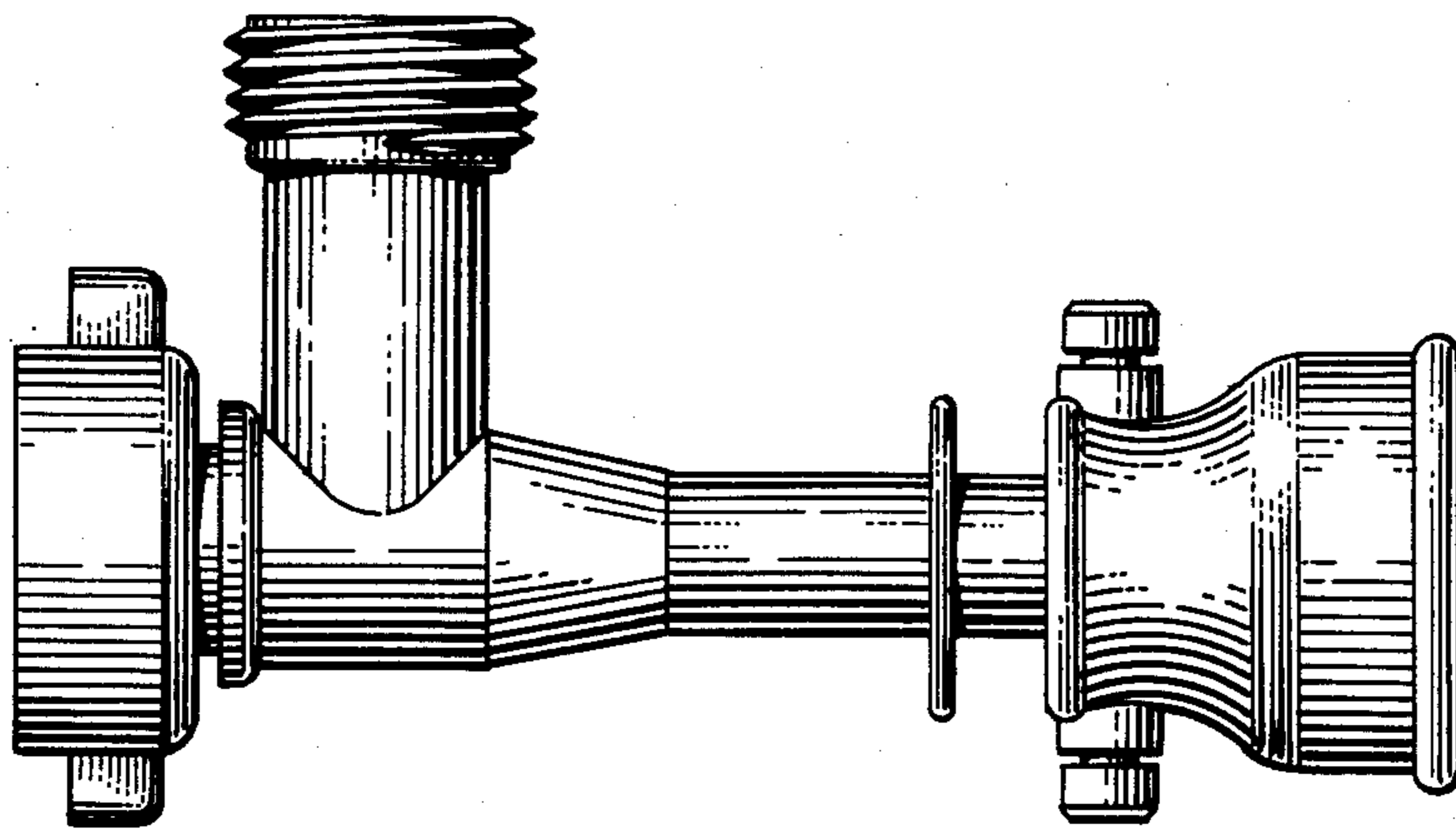


FIG. 4.

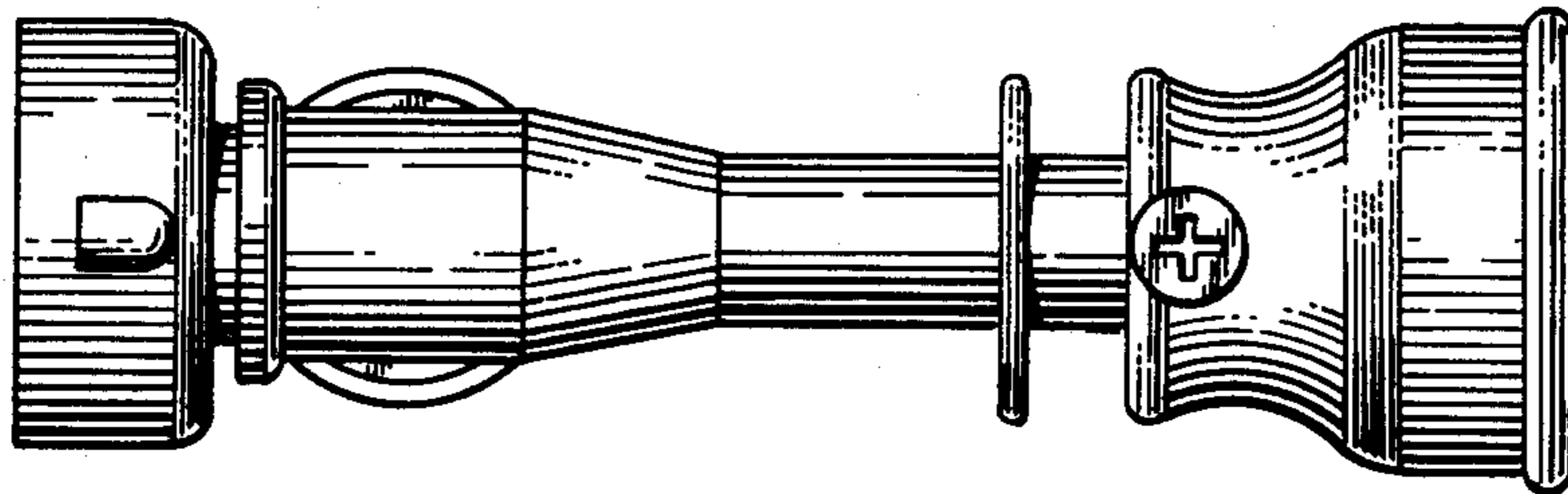


FIG. 5.

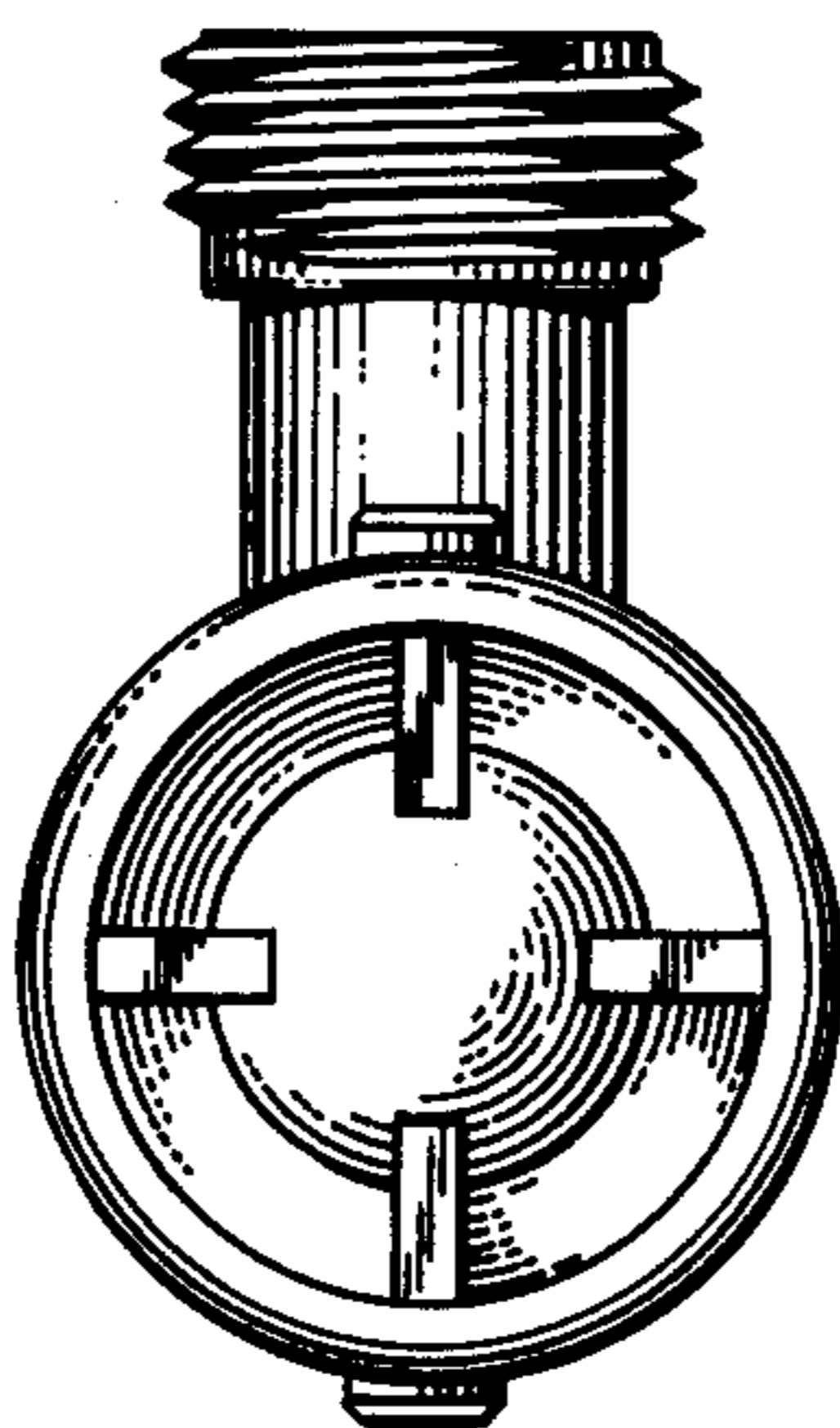


FIG. 6.