

[54] **SPRINKLER**

[75] **Inventor:** Ho Chow, River Edge, N.J.

[73] **Assignee:** Beatrice Goods Co.

[\*\*] **Term:** 14 Years

[21] **Appl. No.:** 663,465

[22] **Filed:** Mar. 3, 1976

[51] **Int. Cl.** ..... D23-01

[52] **U.S. Cl.** ..... D23/7

[58] **Field of Search** ..... D23/6-10;  
239/256-258, 261

[56] **References Cited**

**U.S. PATENT DOCUMENTS**

2,722,454	11/1955	Jepson	.....	D23/7 UX
3,231,199	1/1966	Mattson	.....	239/261
D. 123,443	11/1940	Weirich	.....	D23/7
D. 200,287	2/1965	Cornwell	.....	D23/7

D. 211,943	8/1968	Beinert	.....	D23/7
D. 226,193	1/1973	Anderson	.....	D23/7
D. 233,835	12/1974	Reinecke	.....	D23/7

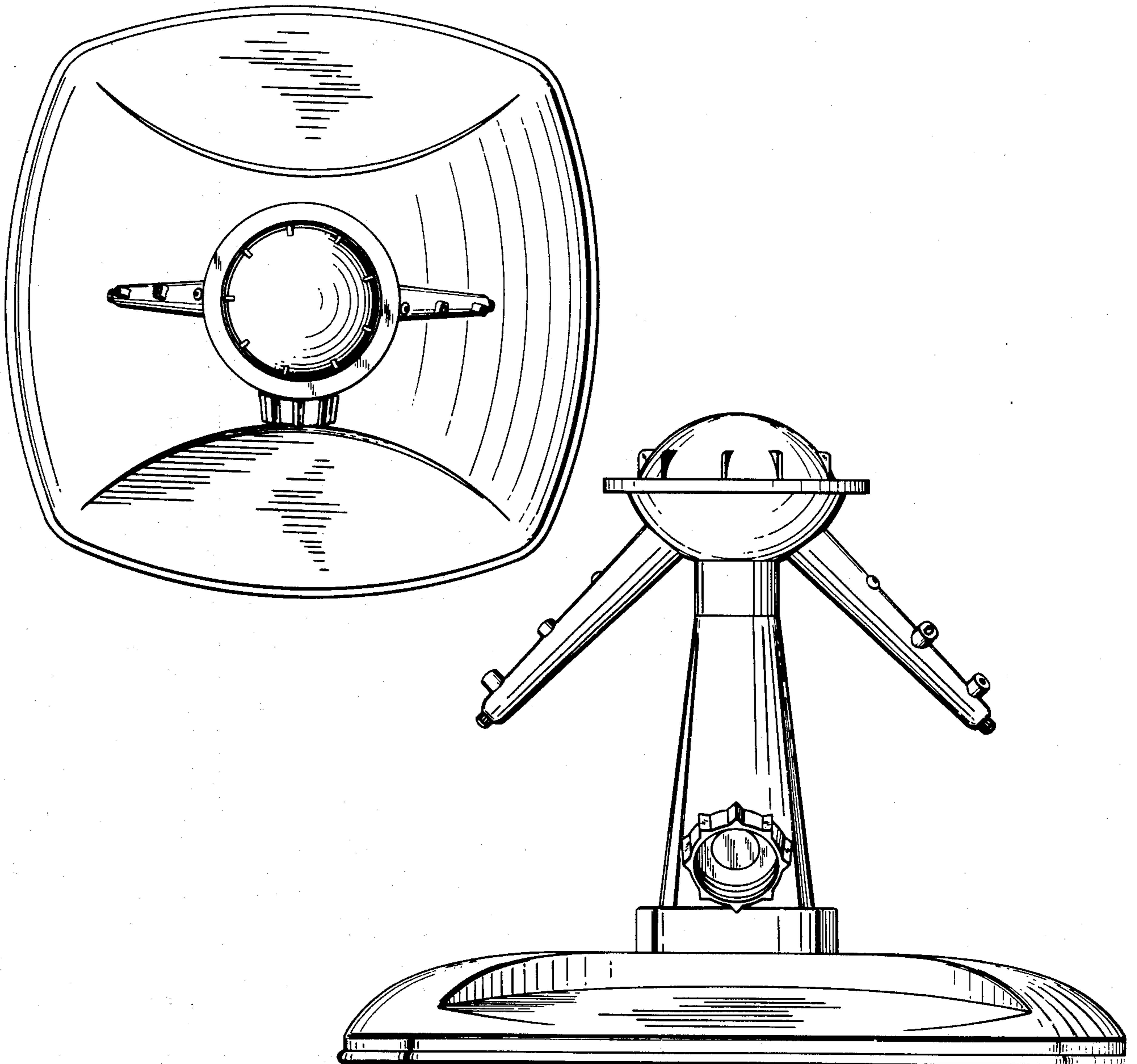
*Primary Examiner*—James R. Largen  
*Attorney, Agent, or Firm*—Maxwell James

[57] **CLAIM**

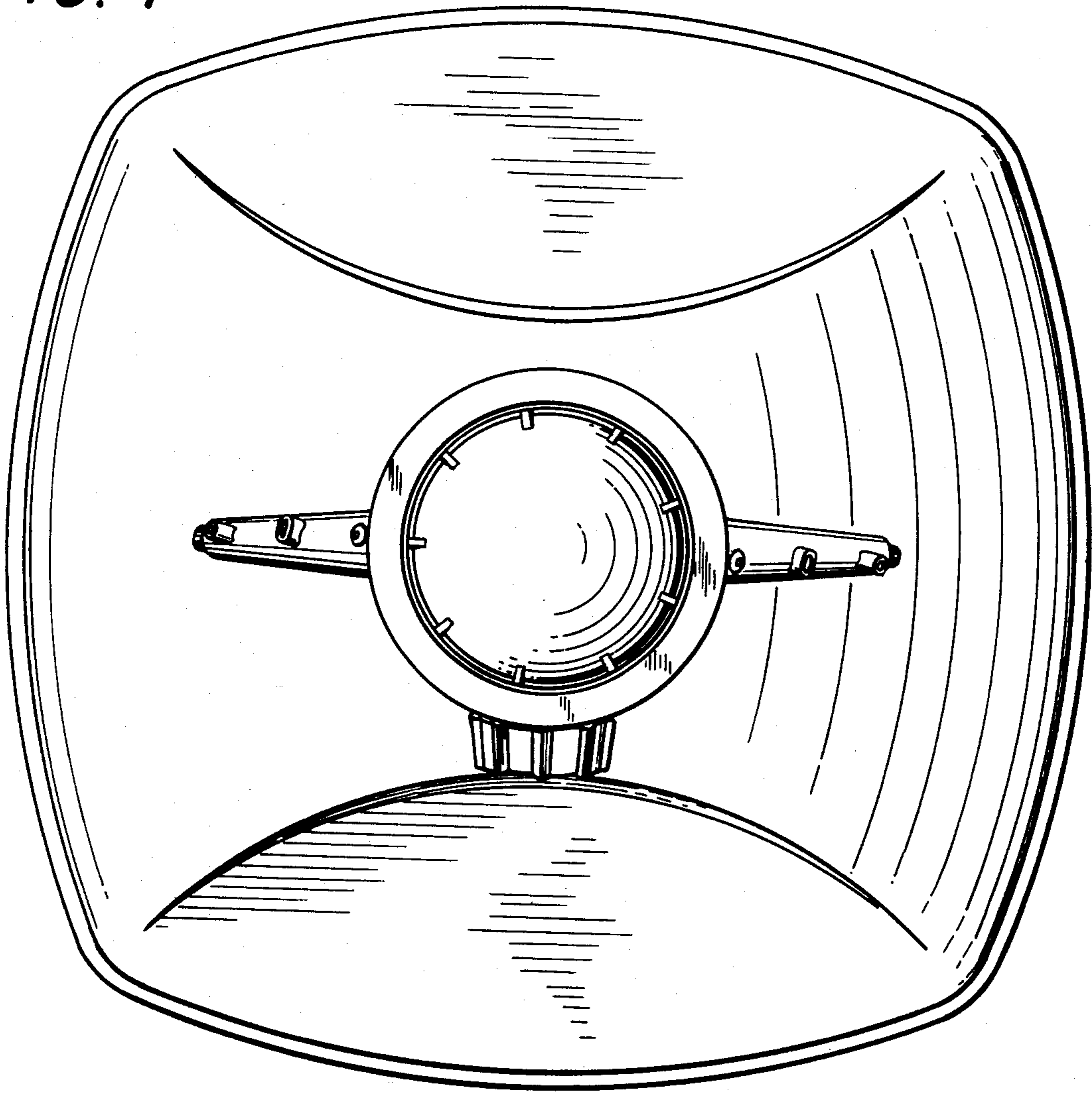
The ornamental design for a sprinkler, substantially as shown and described.

**DESCRIPTION**

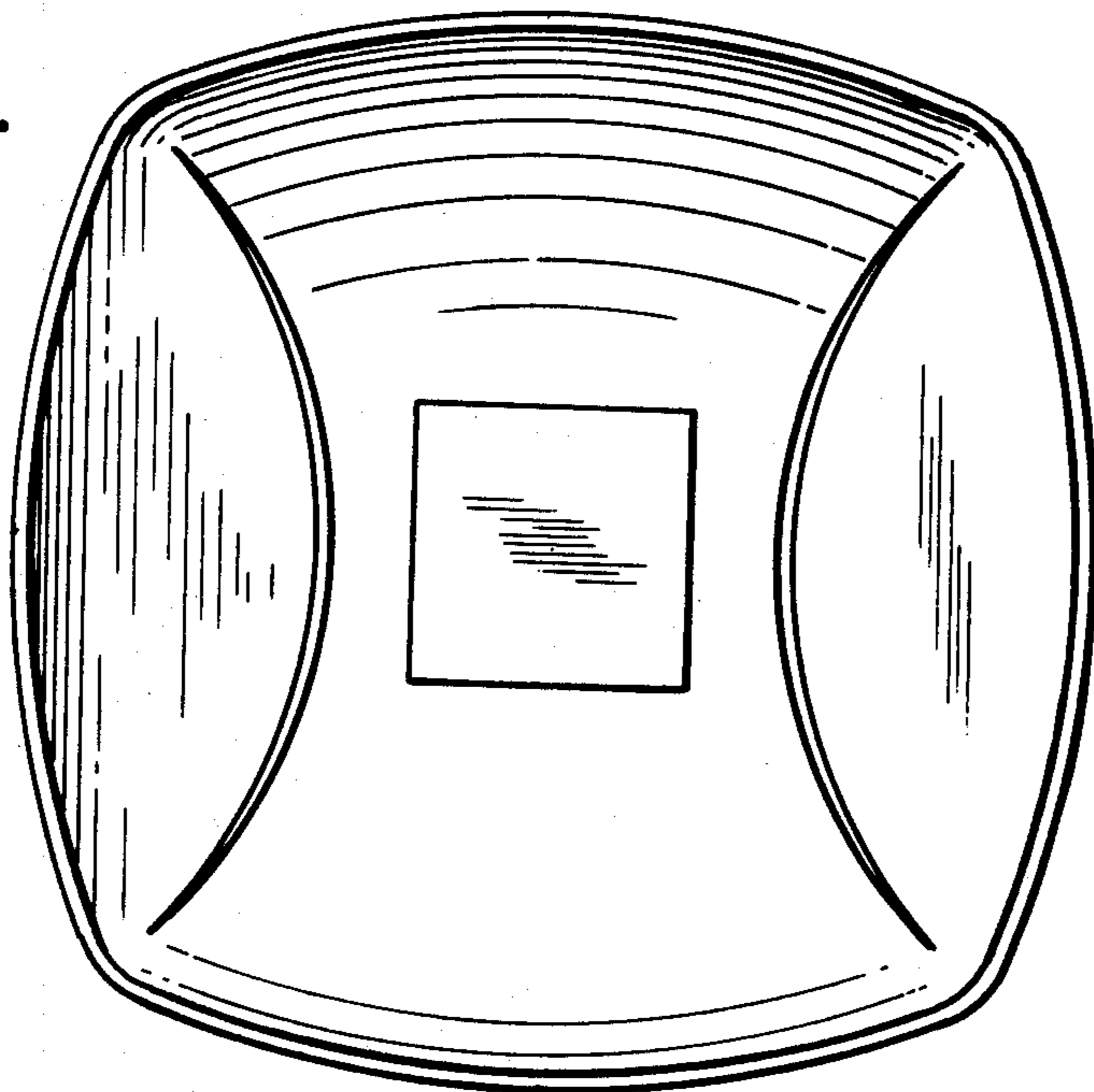
FIG. 1 is a top plan view of a sprinkler showing my new design;  
 FIG. 2 is a front elevational view thereof;  
 FIG. 3 is a side elevational view thereof, the opposite side being a mirror image of the side shown;  
 FIG. 4 is a rear elevational view thereof;  
 FIG. 5 is a bottom plan view thereof; and  
 FIG. 6 is a side elevational view of a modified form of the sprinkler shown in FIG. 1, wherein the modification resides in the nozzles on the spray arms.



**FIG. 1**



**FIG. 5**



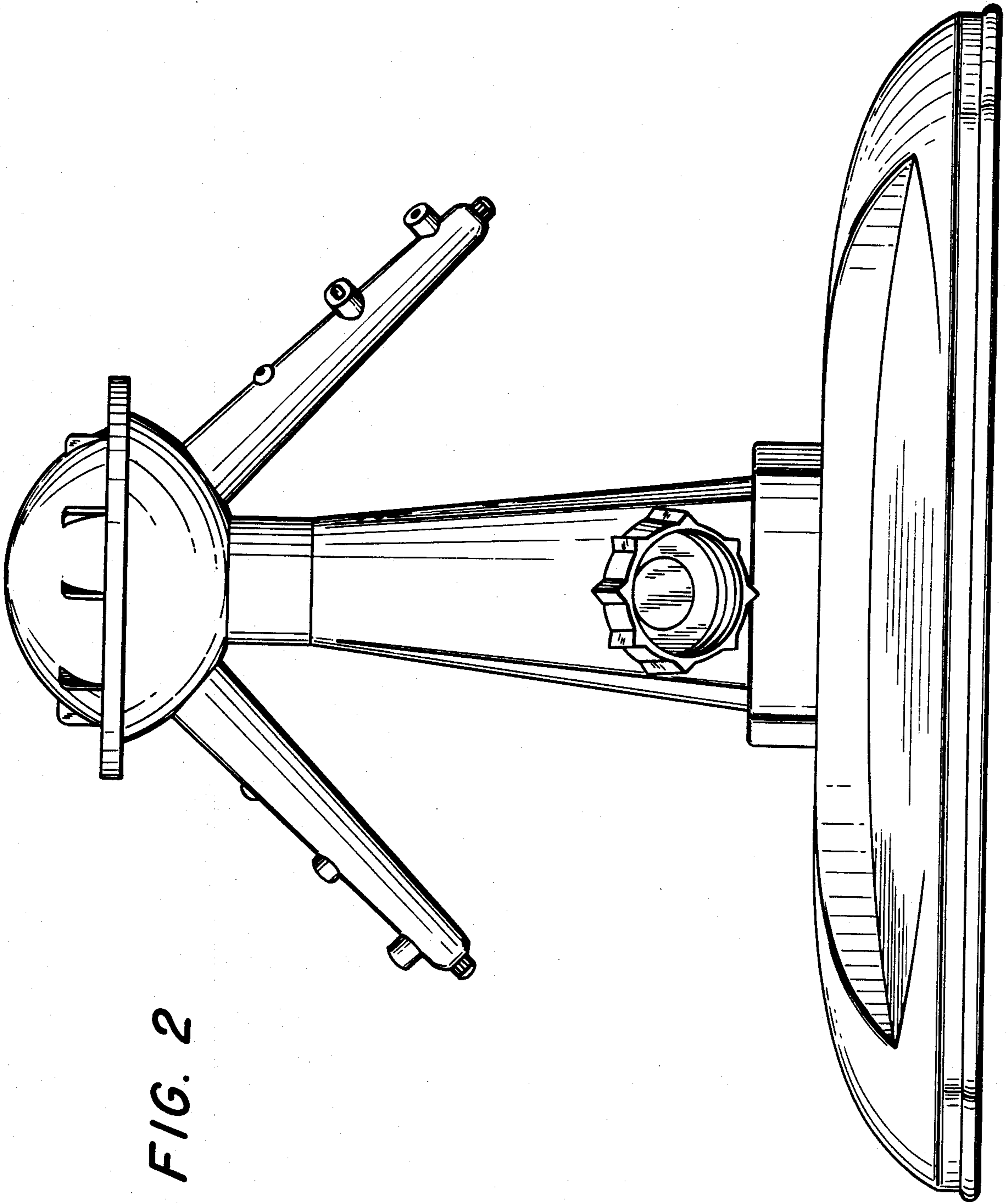


FIG. 2

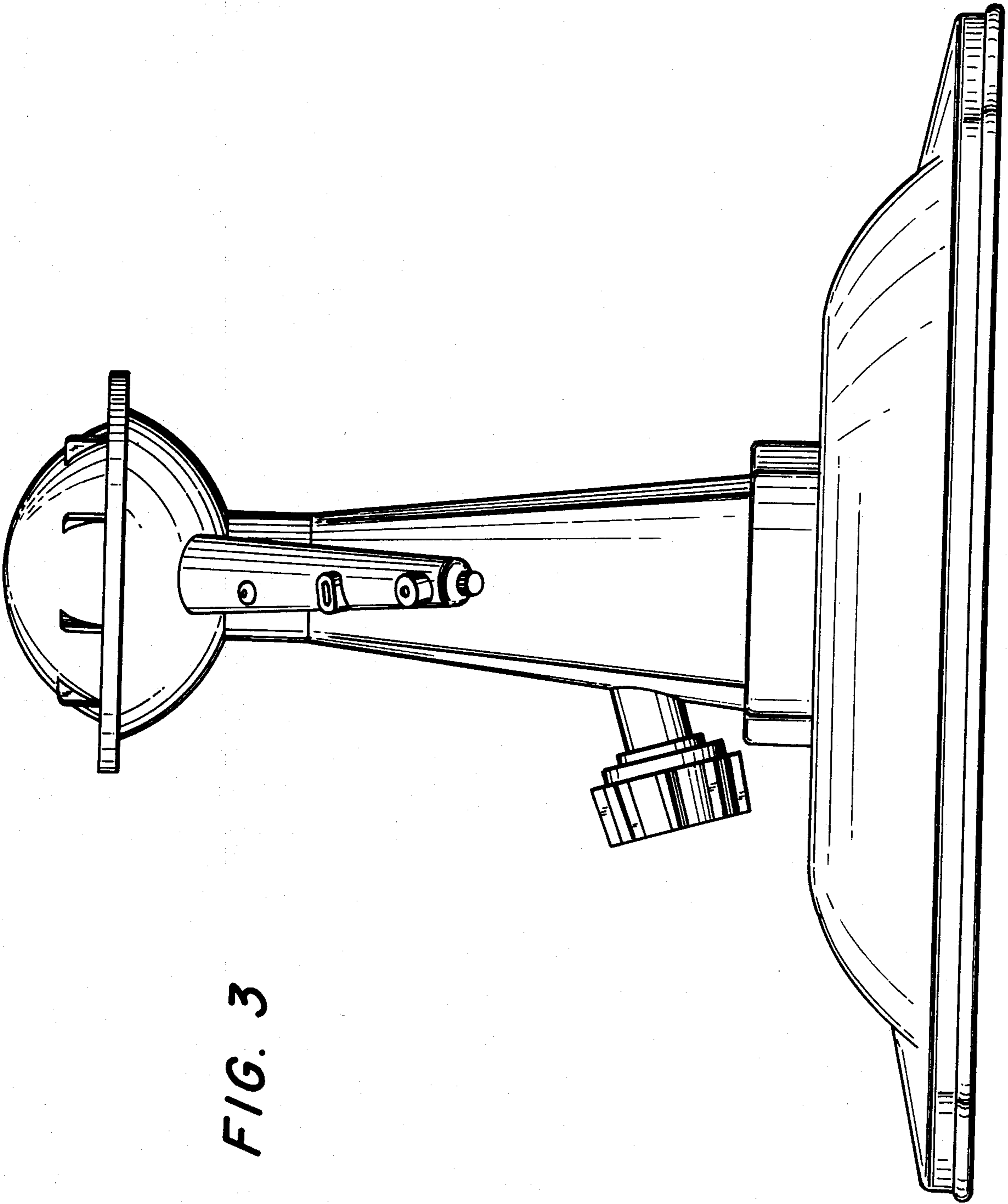


FIG. 3

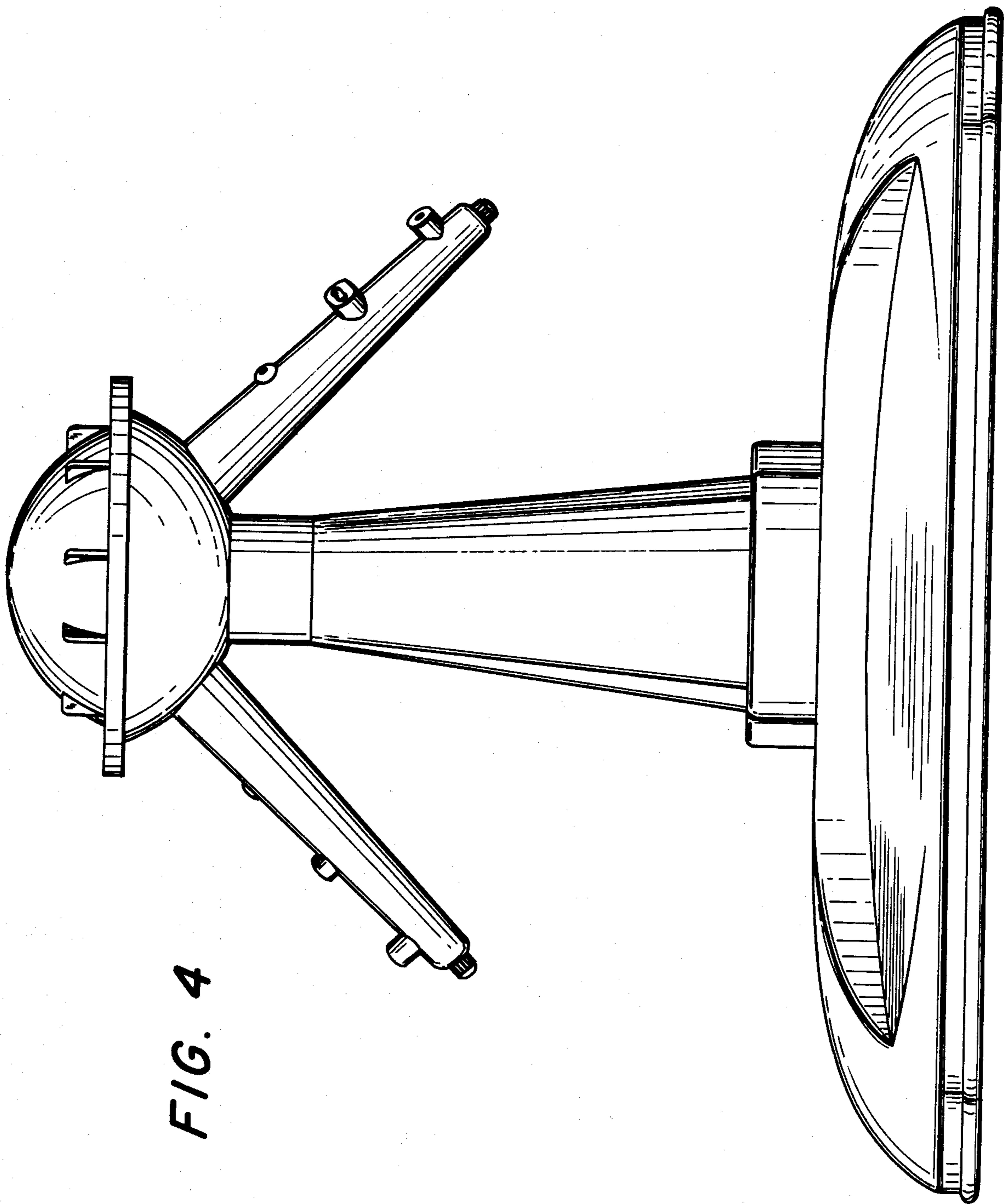


FIG. 4

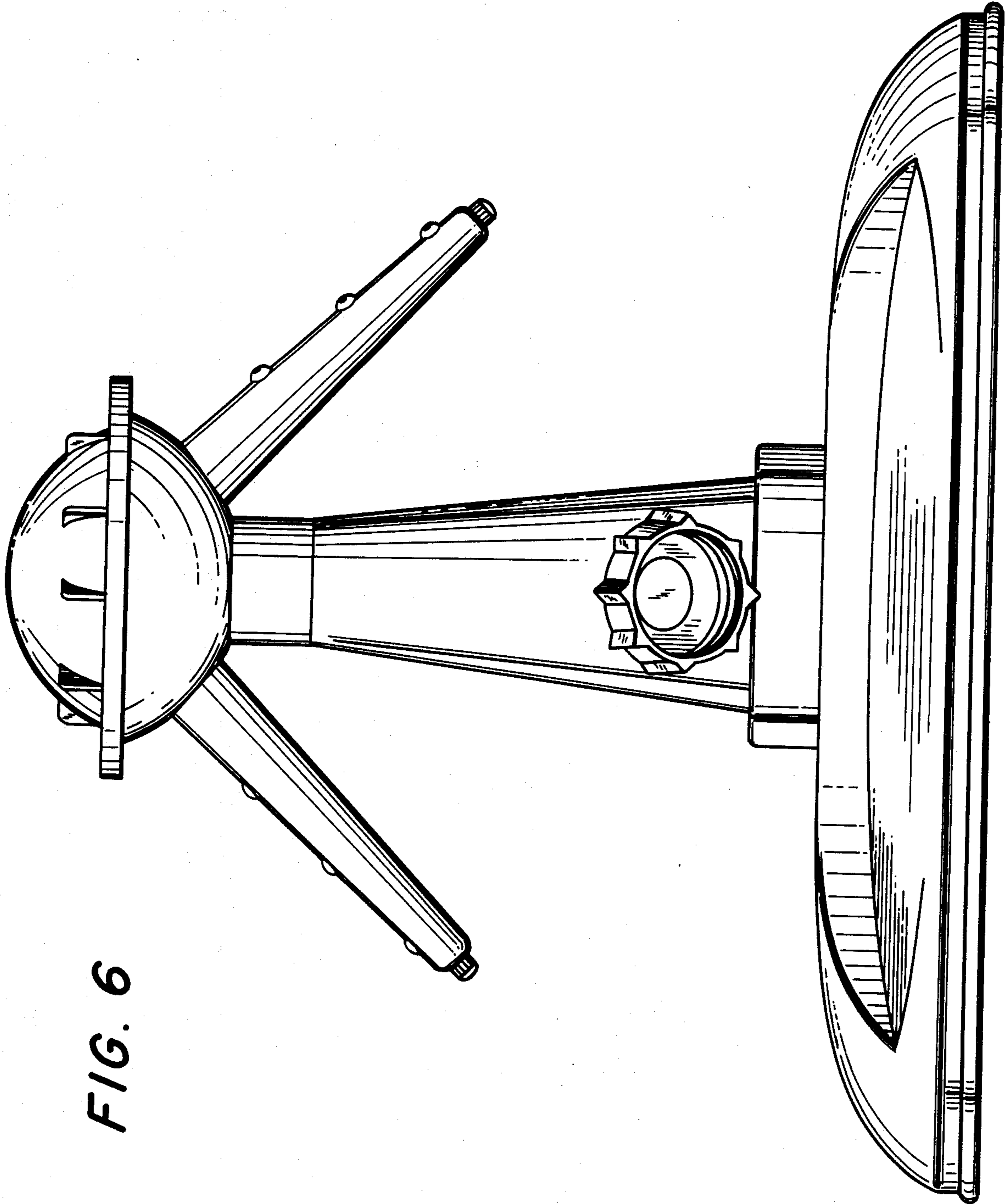


FIG. 6