

- [54] **MOTION PICTURE CAMERA**
- [75] **Inventors:** Toru Yatabe; Yoshio Komine, both of Yokohama; Ichiro Shimizu, Tokyo, all of Japan
- [73] **Assignee:** Canon Kabushiki Kaisha, Tokyo, Japan
- [**] **Term:** 14 Years
- [21] **Appl. No.:** 639,467
- [22] **Filed:** Dec. 10, 1975
- [30] **Foreign Application Priority Data**
June 10, 1975 Japan 50-23170
- [51] **Int. Cl.** D16-01
- [52] **U.S. Cl.** D16/04
- [58] **Field of Search** D16/1-10;
355/32-38, 160, 174, 275, 288, 95, 131;
352/1, 166, 119; 354/162, 174

- [56] **References Cited**
U.S. PATENT DOCUMENTS
D. 187,890 5/1960 Miyauchi D16/3
D. 196,201 9/1963 Hertzler D16/4

D. 224,448 7/1972 Fukuda D16/3

OTHER PUBLICATIONS

Nikon Super Zoom 8-Flier, 1966, Movie Camera p. 8. British Journal of Photography, Jan. 1975, p. 47, Elmo 311.

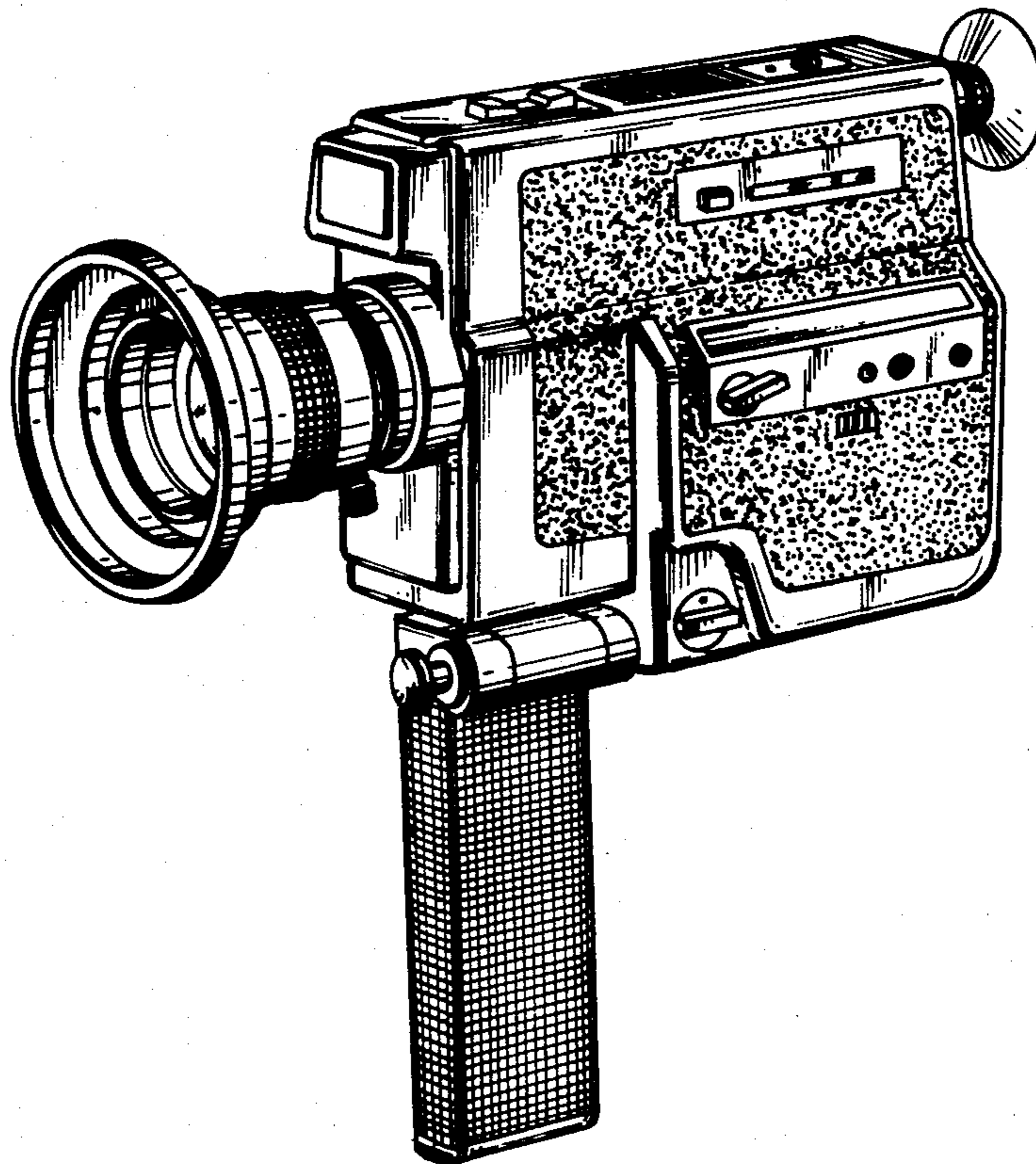
Primary Examiner—Joel Stearman
Assistant Examiner—C. A. Rademaker
Attorney, Agent, or Firm—David Toren

[57] **CLAIM**

The ornamental design for a motion picture camera, as shown and described.

DESCRIPTION

FIG. 1 is a front perspective view of a motion picture camera showing our new design with the handle in an extended condition;
FIG. 2 is a front perspective view thereof with the handle in a compact condition;
FIG. 3 is a top plan view of FIG. 1;
FIG. 4 is a front elevational view thereof;
FIG. 5 is a rear elevational view thereof;
FIG. 6 is a side elevational view of the side opposite that shown in FIG. 1; and,
FIG. 7 is a bottom plan view thereof.



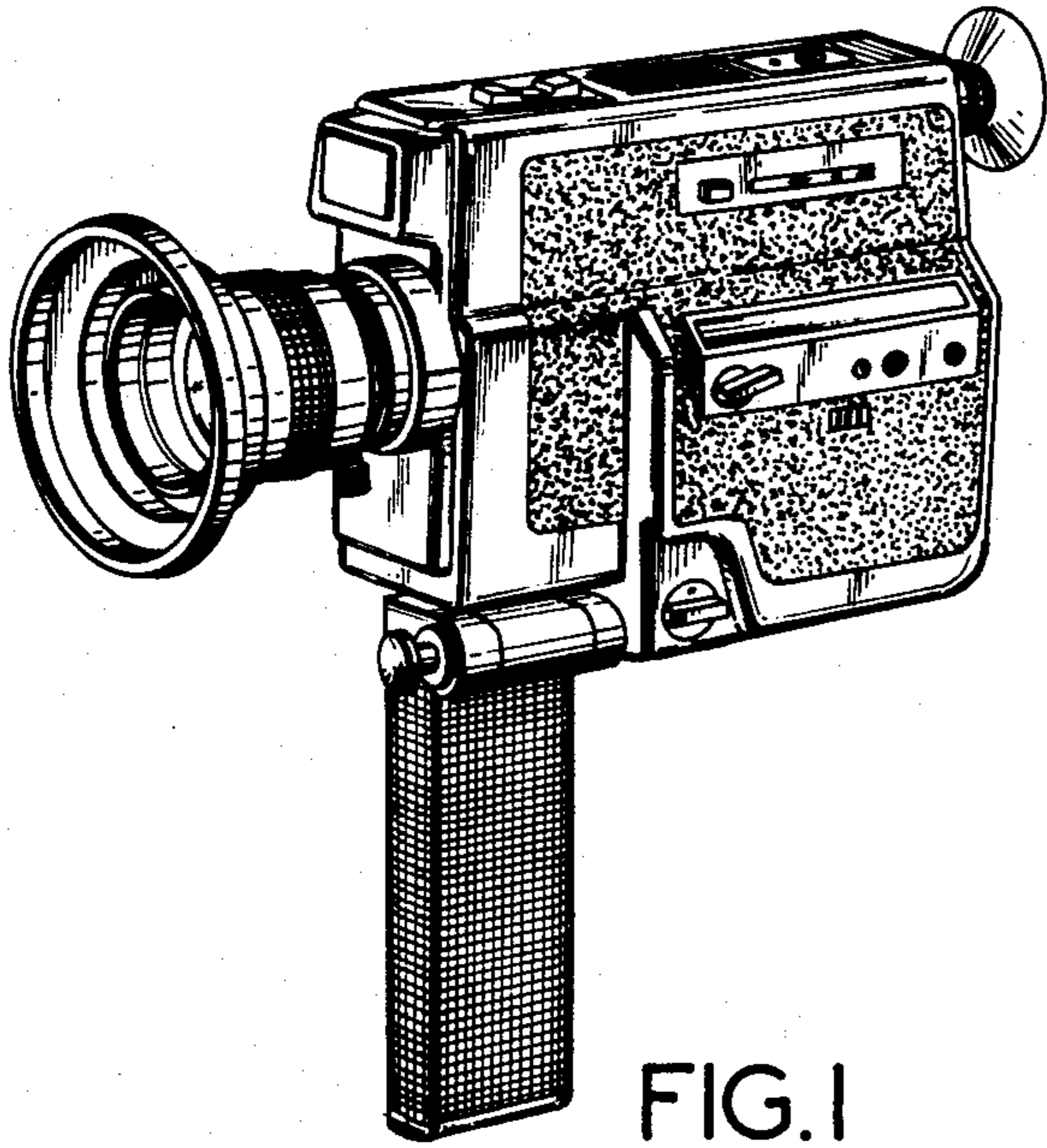


FIG. 1

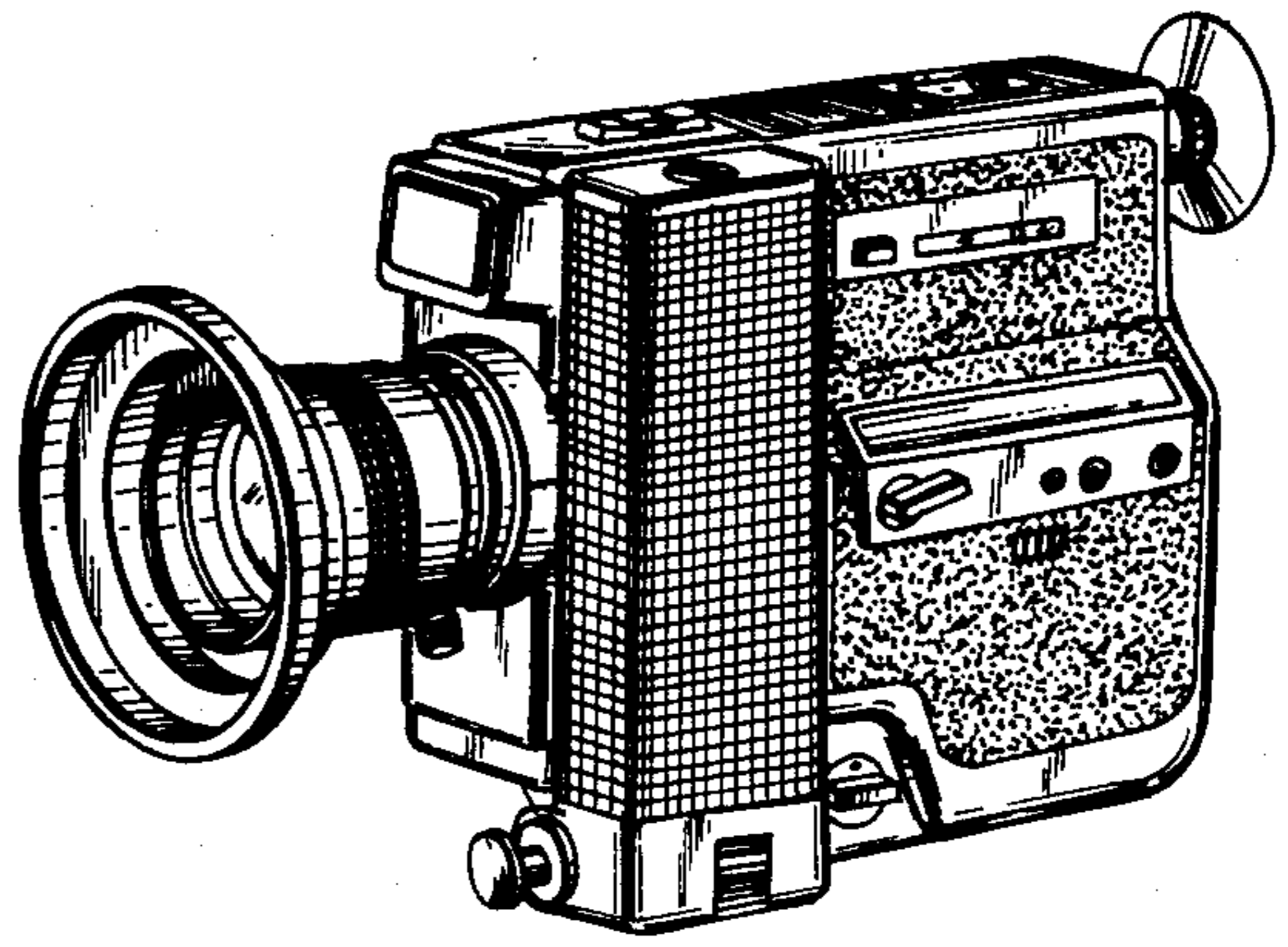


FIG. 2

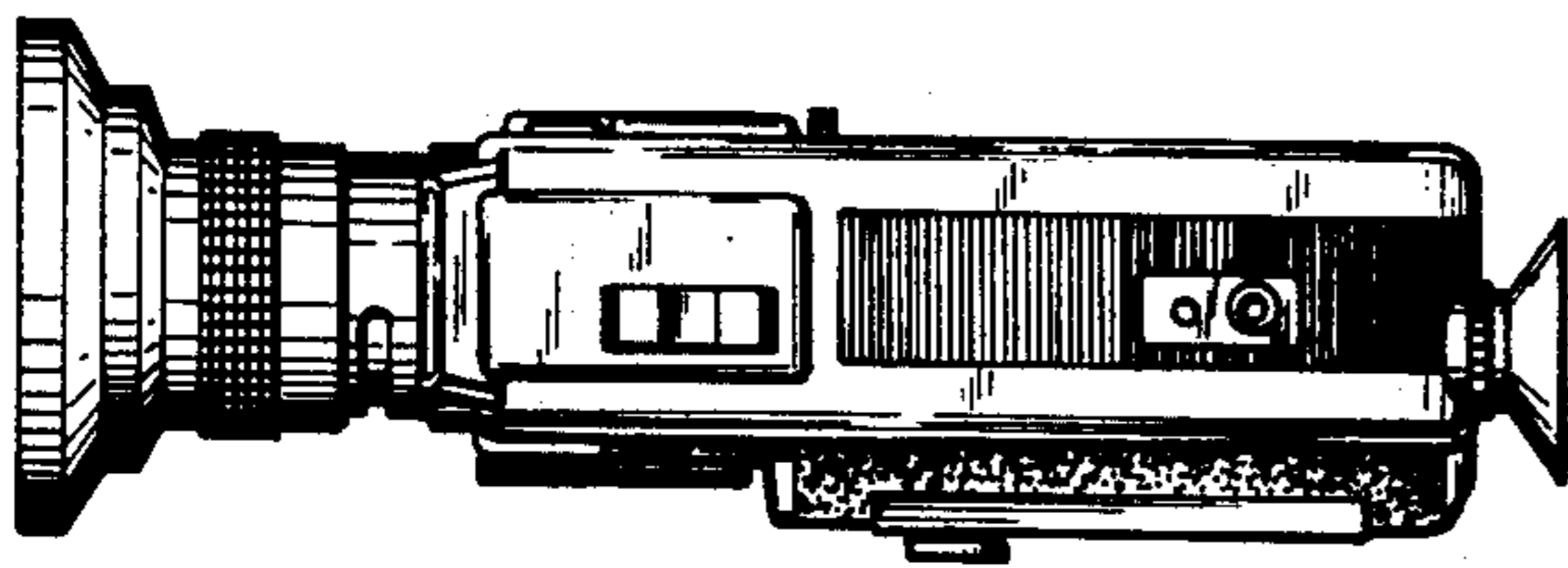


FIG. 3

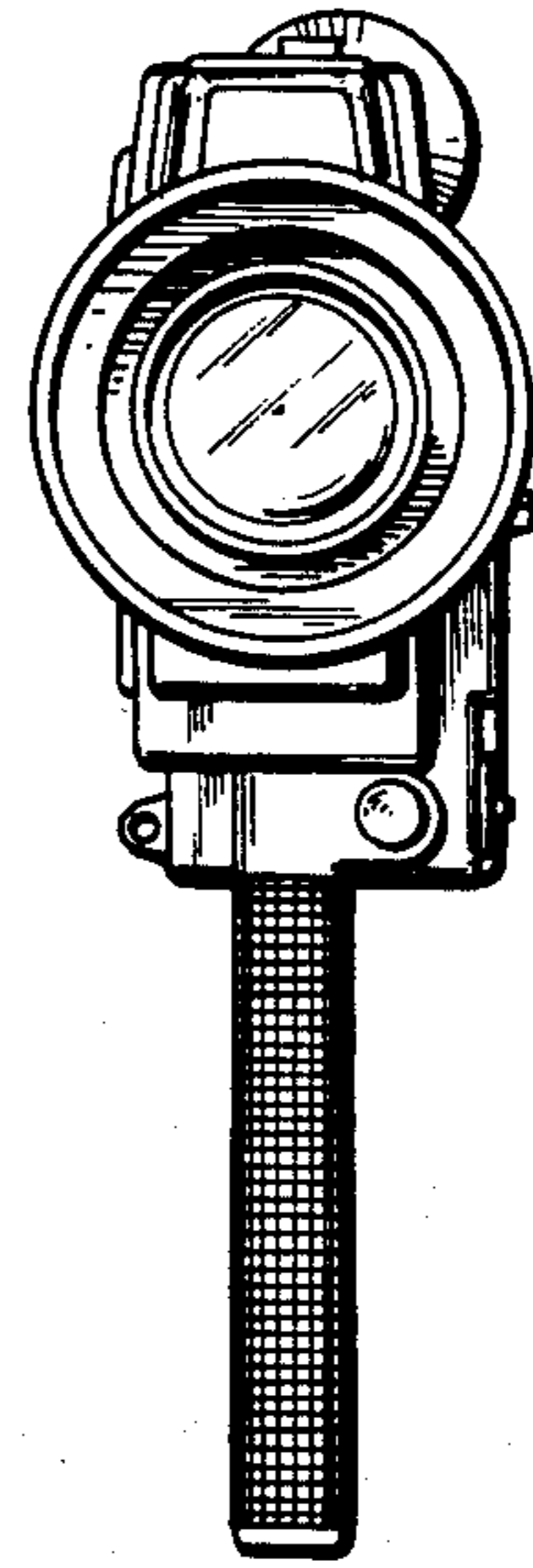


FIG. 4

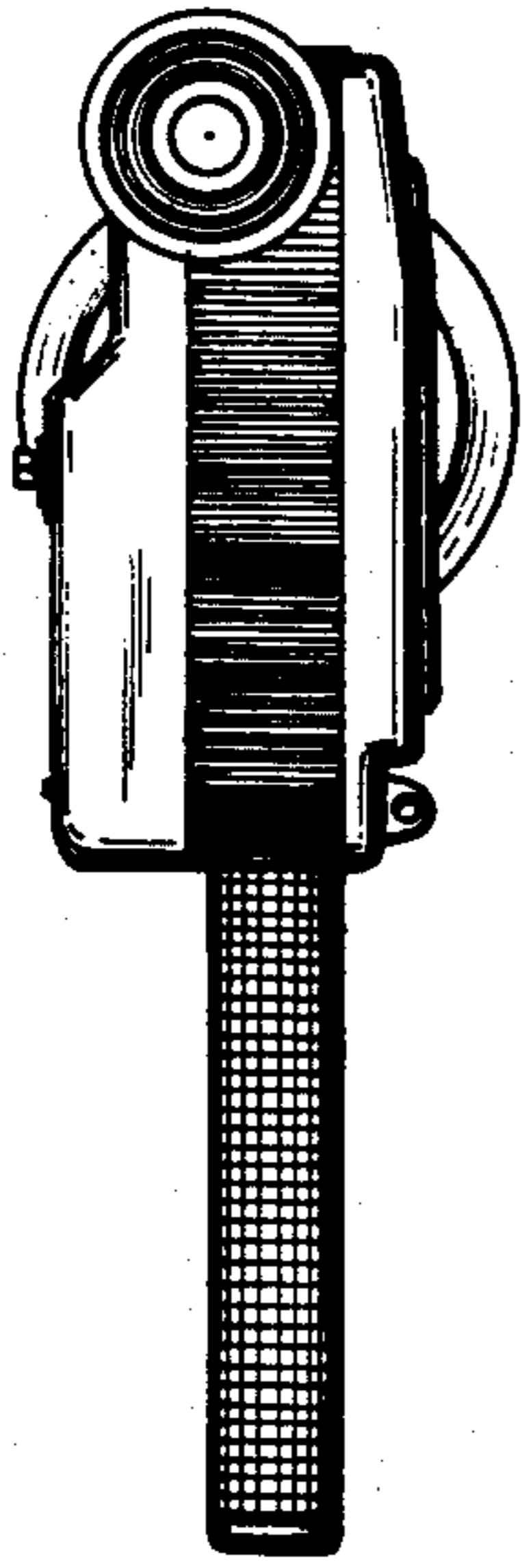


FIG. 5

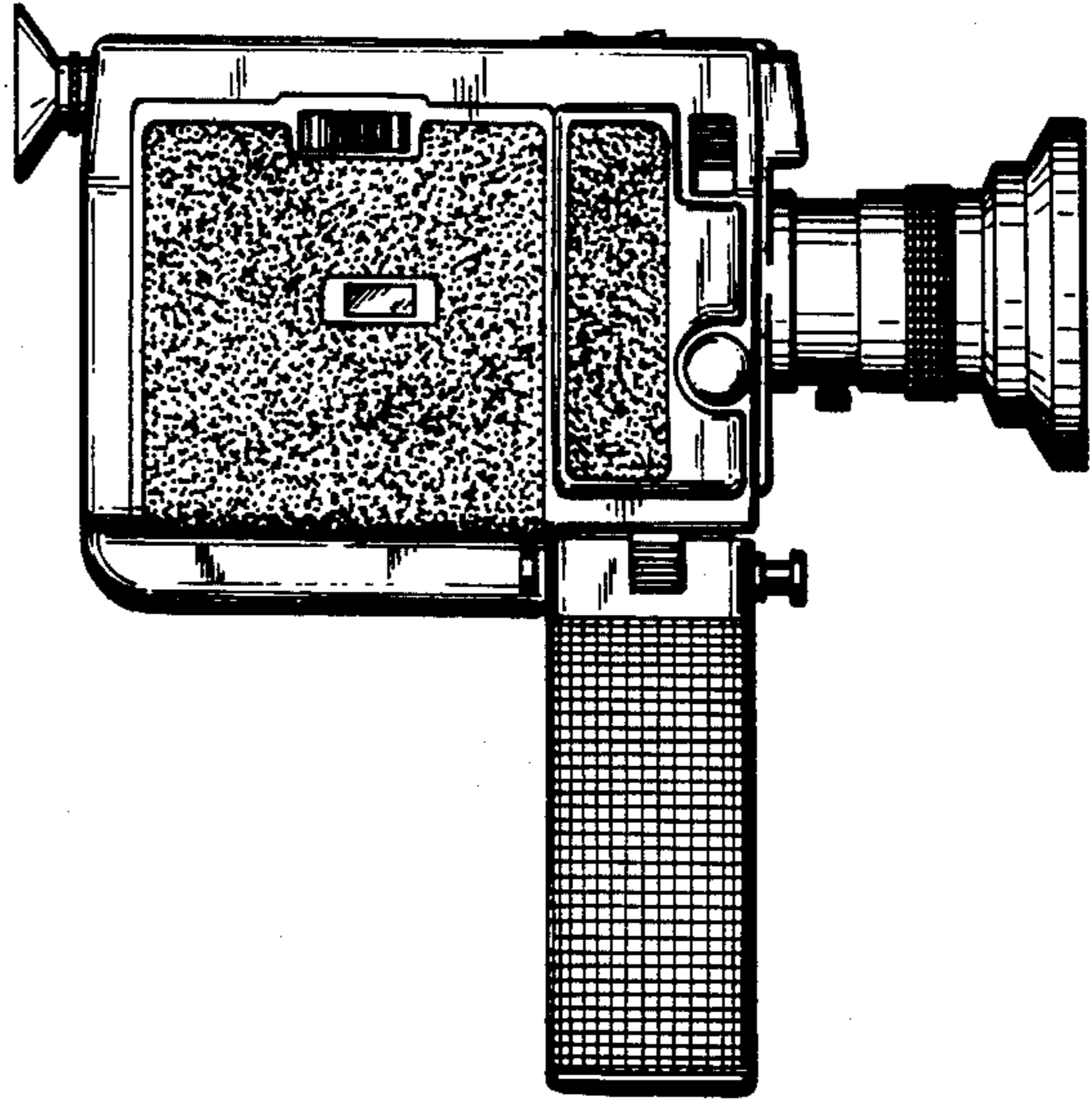


FIG. 6

FIG. 7

