

[54] CAMERA

[75] Inventor: Hiroshi Fukuda, Tokyo, Japan

[73] Assignee: Fuji Photo Film Co., Ltd.,
Minami-ashigara, Japan

[**] Term: 14 Years

[21] Appl. No.: 682,535

[22] Filed: May 3, 1976

[30] Foreign Application Priority Data

Feb. 4, 1976 Japan 51-3294

[51] Int. Cl. D16-01

[52] U.S. Cl. D16/06

[58] Field of Search D16/1, 6-10;
354/288, 152-158, 170, 174, 151, 204, 206,
207

[56] References Cited

U.S. PATENT DOCUMENTS

D. 233,367 10/1974 Bourke D16/9 X
D. 234,094 1/1975 Lange D16/6
D. 234,542 3/1975 Quinn D16/9 X

Primary Examiner—Wallace R. Burke
Assistant Examiner—Catherine Kemper
Attorney, Agent, or Firm—Richard C. Sughrue

[57] CLAIM

The ornamental design for a camera, as shown and described.

DESCRIPTION

FIG. 1 is a front elevational view of a camera showing my new design;
FIG. 2 is a front, top and right side perspective view thereof; and
FIG. 3 is a bottom, rear and right side perspective view thereof; the left side being planar and substantially unornamented.

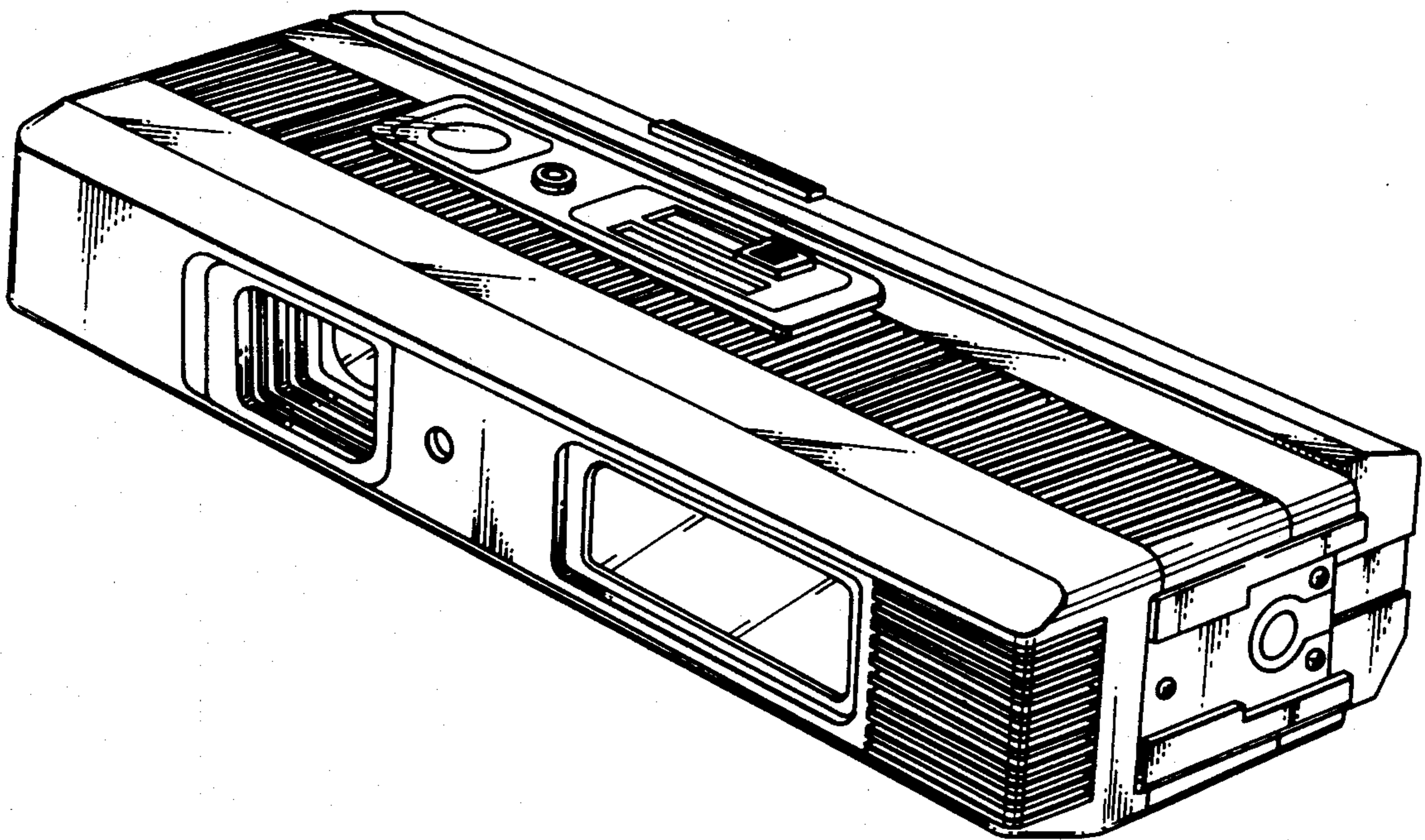


Fig. 1

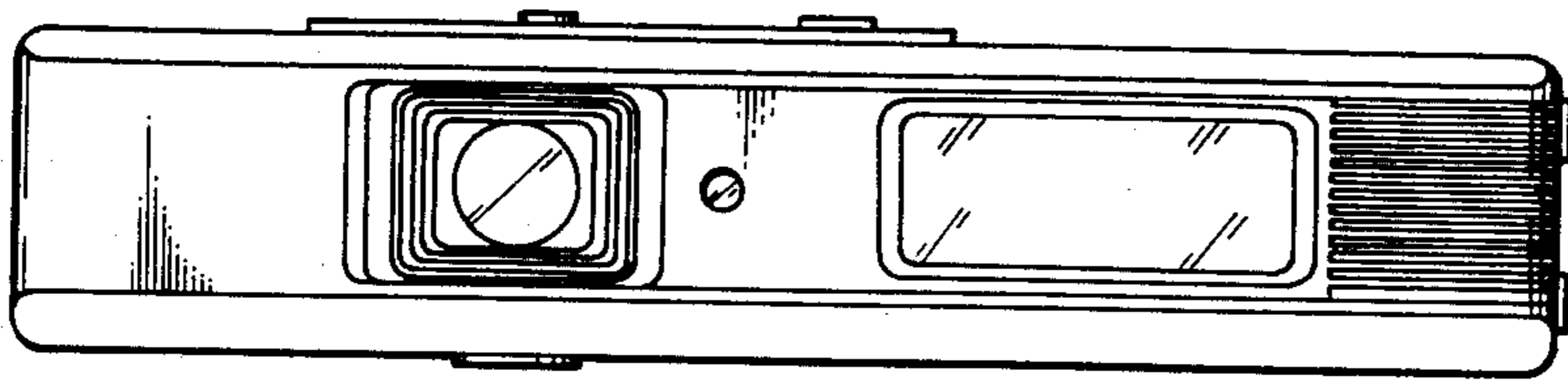


Fig. 2

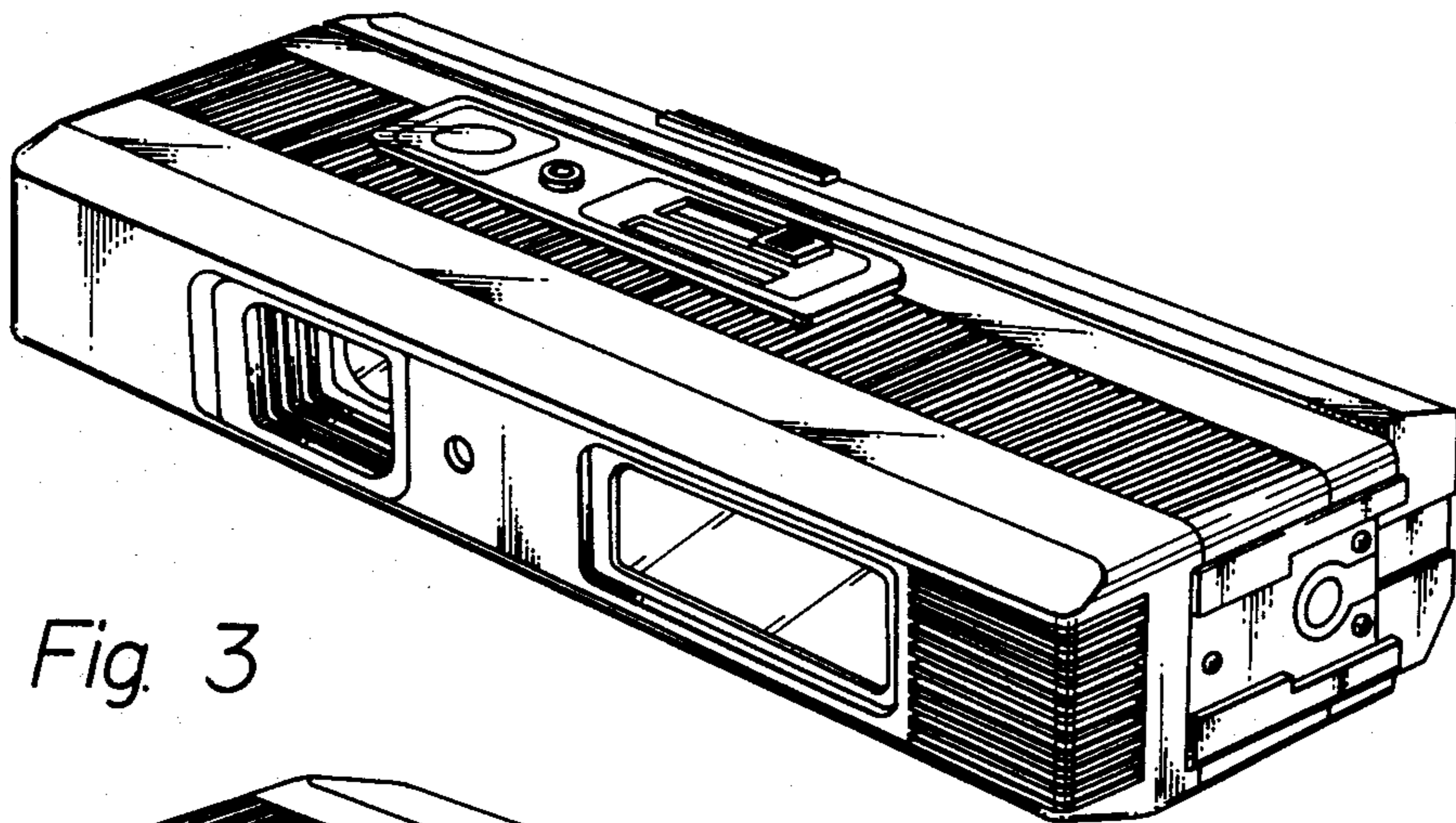


Fig. 3

