

[54] MOTION PICTURE CAMERA

[75] Inventors: Paul D. Miller, New York, N.Y.; Dale Caldwell, Evanston, Ill.

[73] Assignee: GAF Corporation, New York, N.Y.

[\*\*] Term: 14 Years

[21] Appl. No.: 642,156

[22] Filed: Dec. 18, 1975

[51] Int. Cl. .... D16-01

[52] U.S. Cl. .... D16/3

[58] Field of Search ..... D16/1, 2, 3, 4, 5, 6, D16/7, 8, 9, 10; 355/32, 33, 34, 35, 36, 37, 38; 352/1, 166, 119; 354/162, 174

[56] References Cited

U.S. PATENT DOCUMENTS

D. 208,335 8/1967 Teeple et al. .... D16/3  
D. 212,651 11/1968 Yagi ..... D16/4

OTHER PUBLICATIONS

Design, Jan 1960, p. 57, Aero Camera at right side of page.

Photomethods, Sept. 1975, p. 15, Panasonic WV-2300 Camera.

Primary Examiner—Joel Stearman

Assistant Examiner—C. A. Rademaker

Attorney, Agent, or Firm—Walter C. Kehm

[57] CLAIM

The ornamental design for a motion picture camera, substantially as shown.

DESCRIPTION

FIG. 1 is a front perspective view of a motion picture camera showing our new design;

FIG. 2 is a front elevational view thereof;

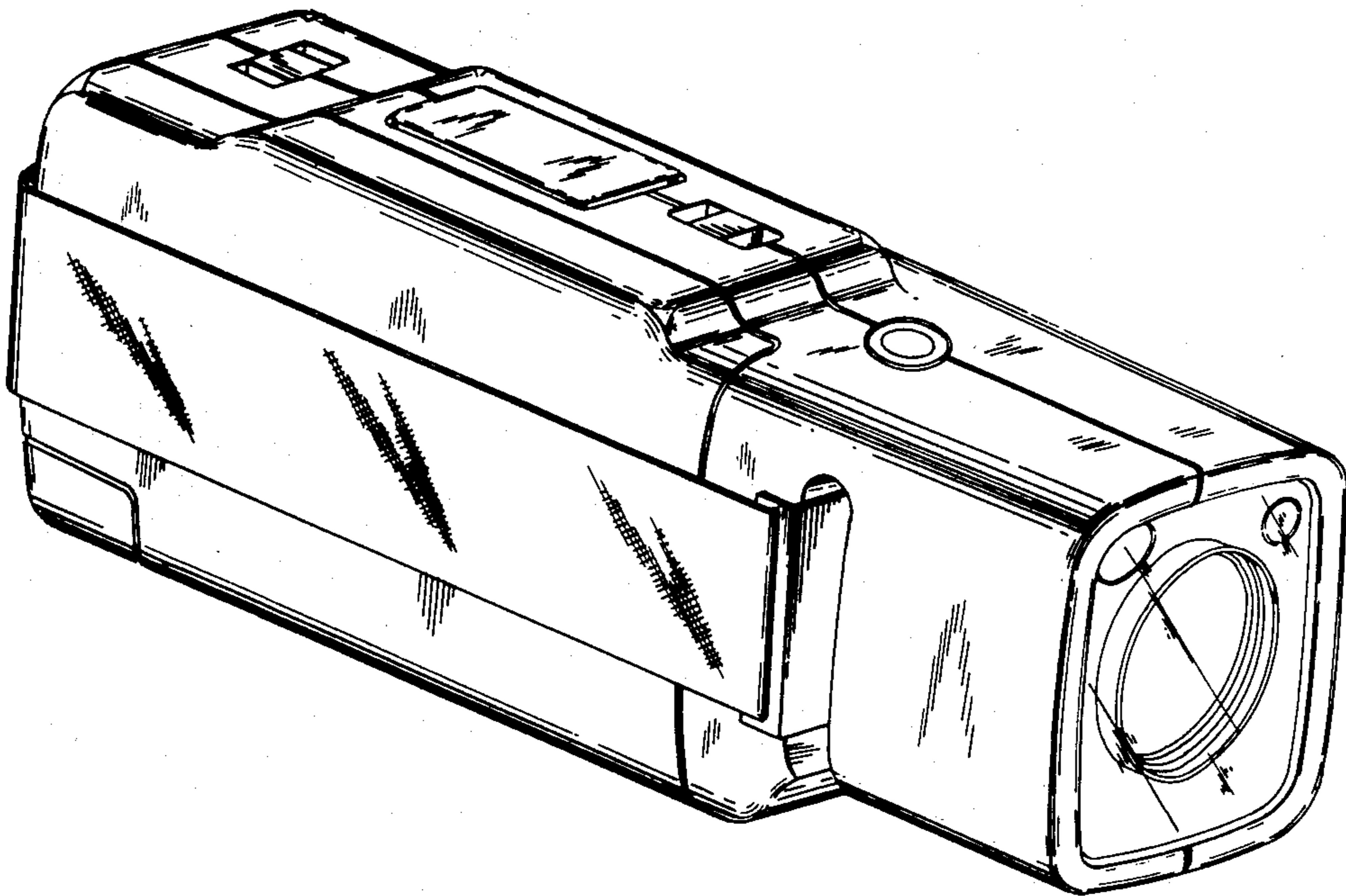
FIG. 3 is a rear elevational view thereof;

FIG. 4 is a left side elevational view thereof;

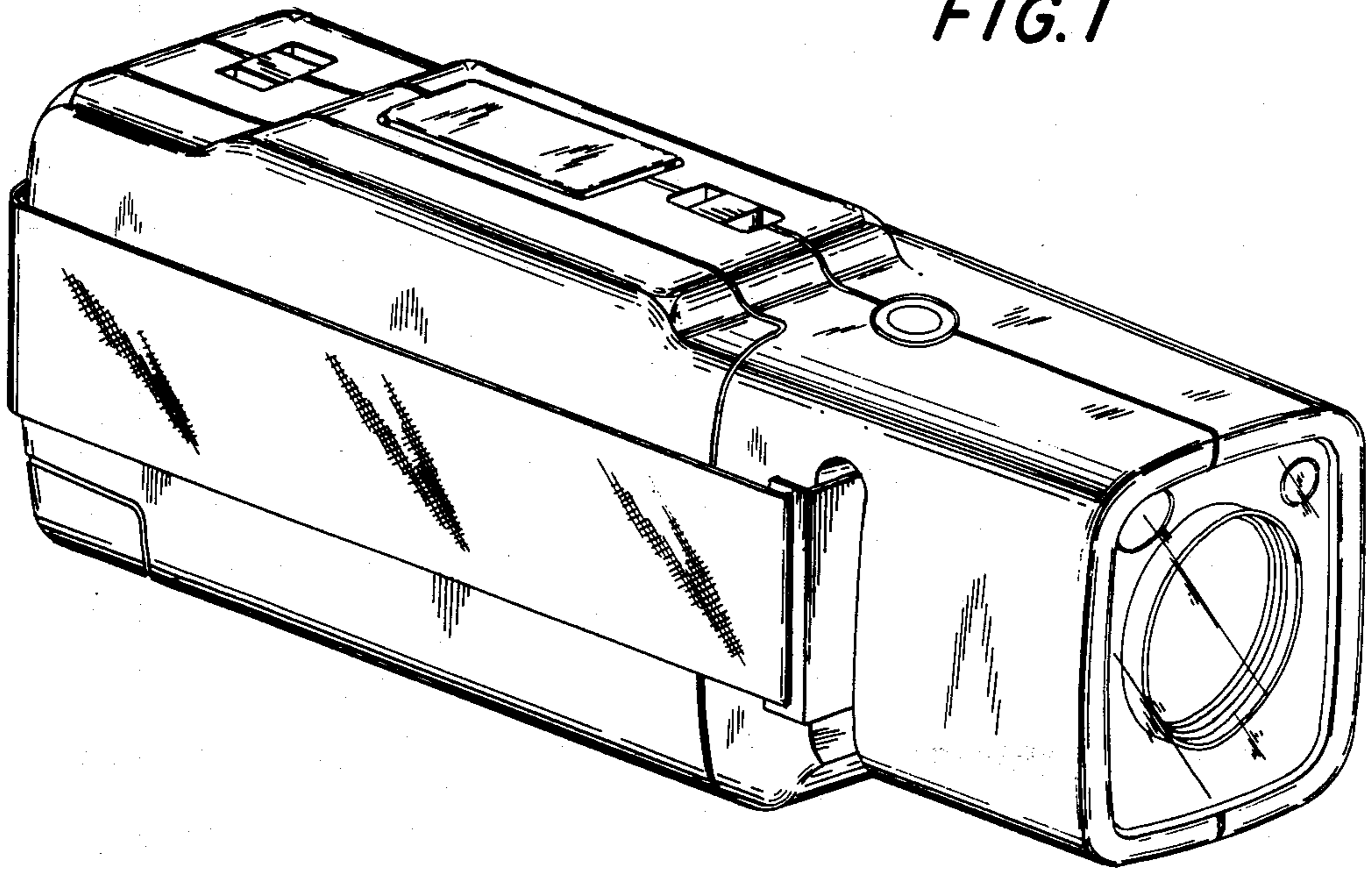
FIG. 5 is a right side elevational view thereof;

FIG. 6 is a top plan view thereof; and

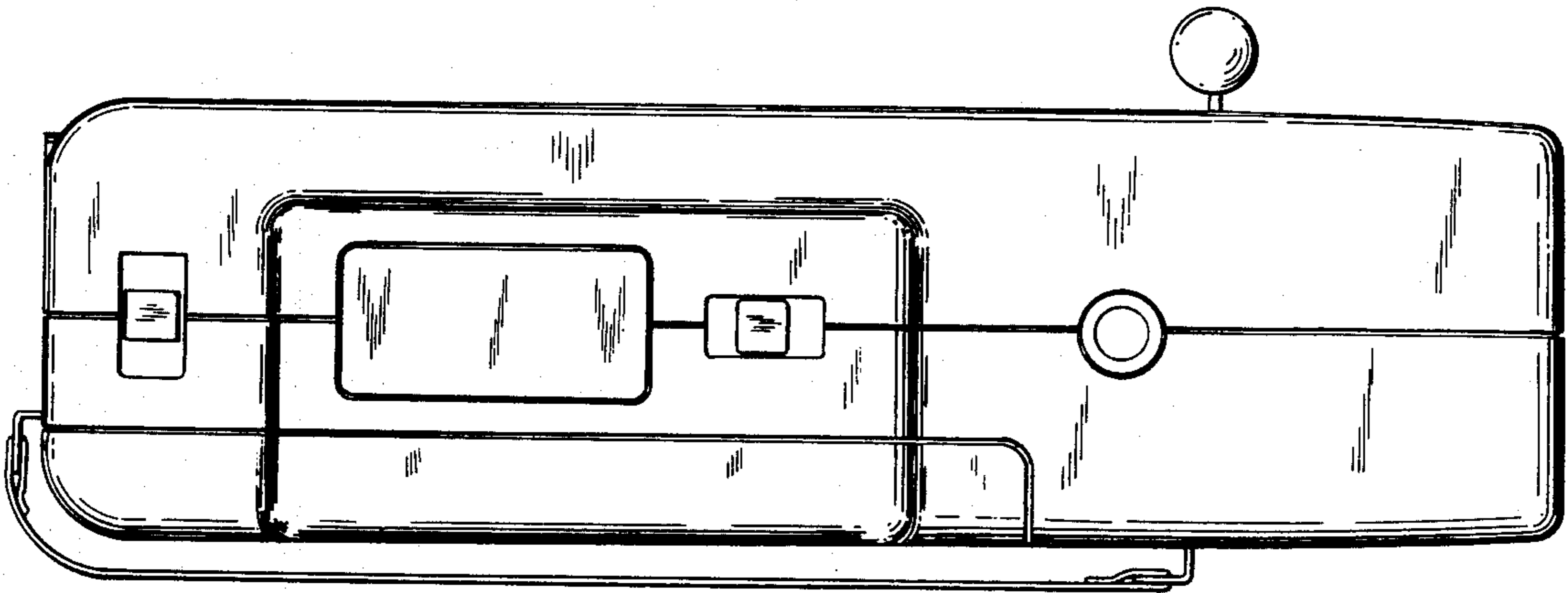
FIG. 7 is a bottom plan view thereof.



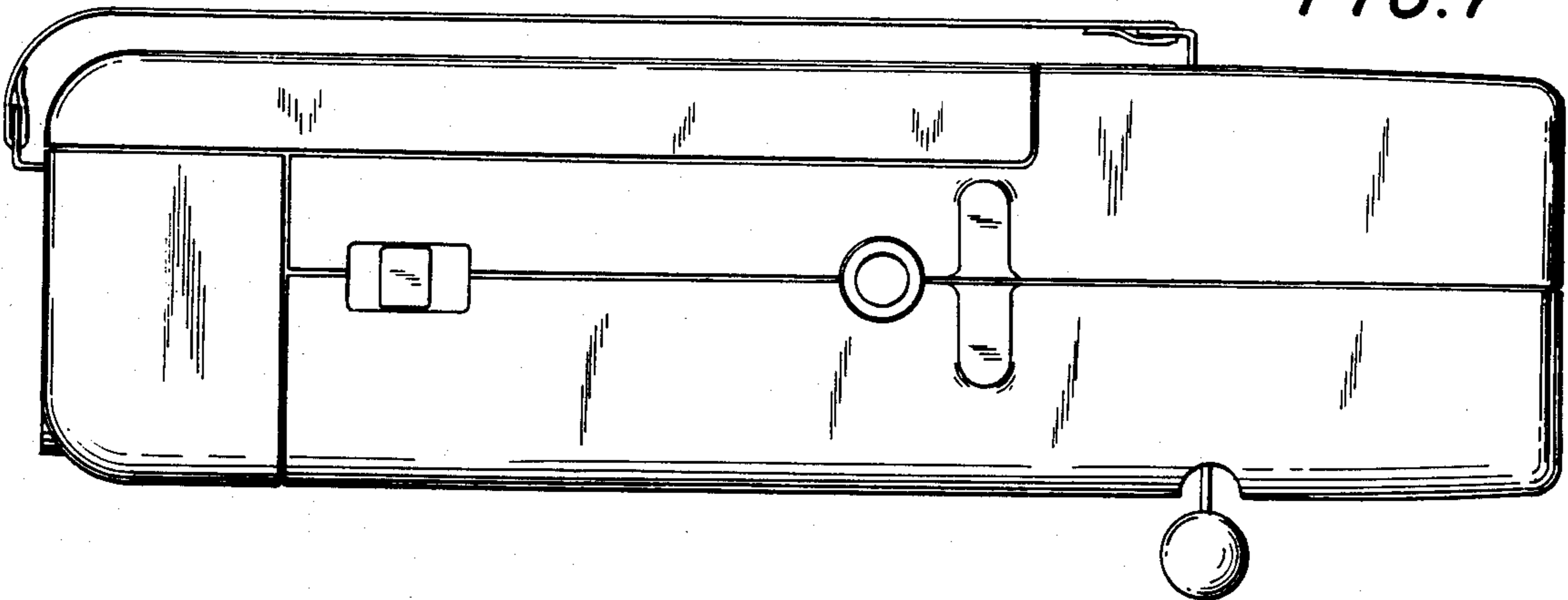
*FIG. 1*



*FIG. 6*



*FIG. 7*



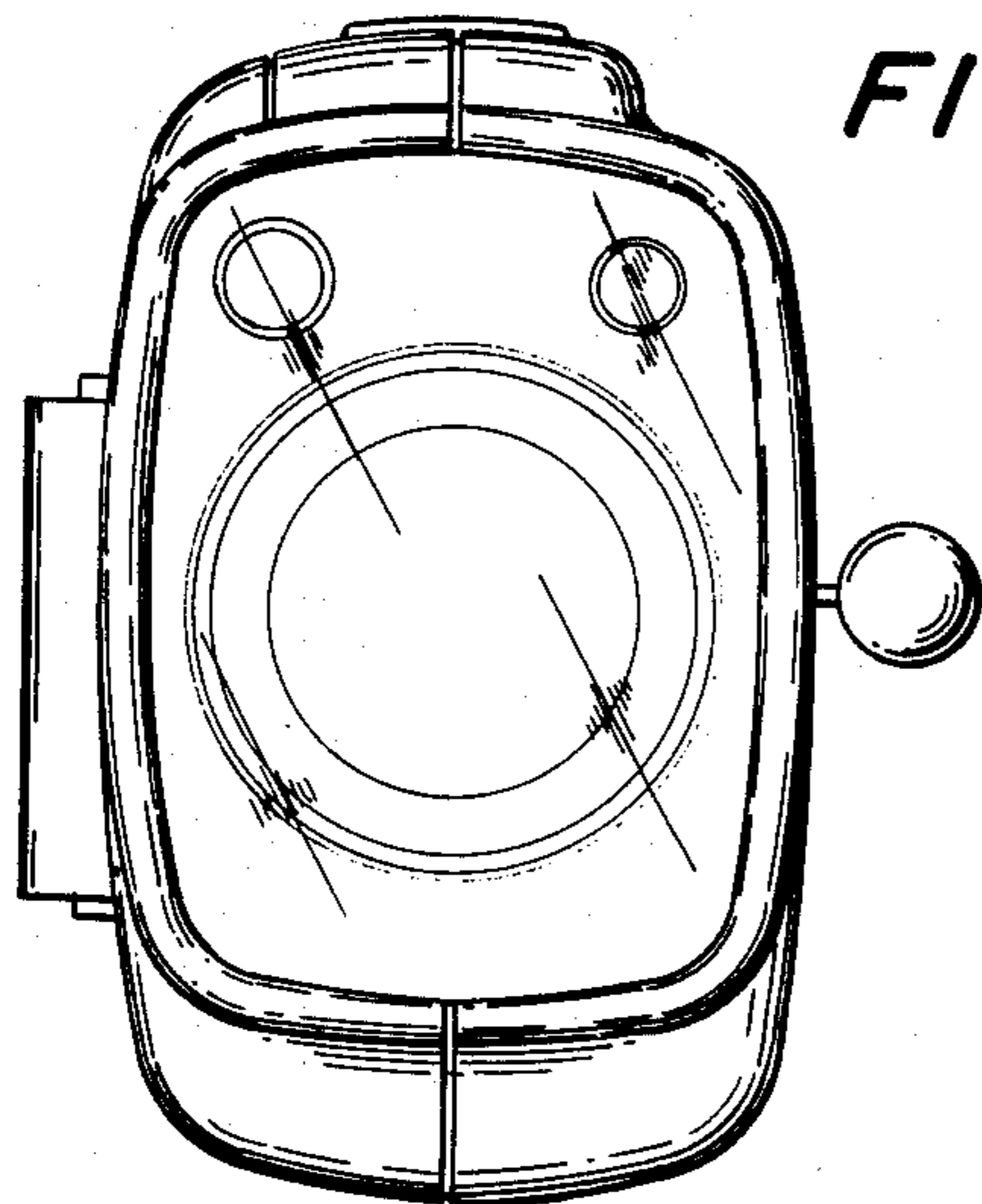


FIG. 2

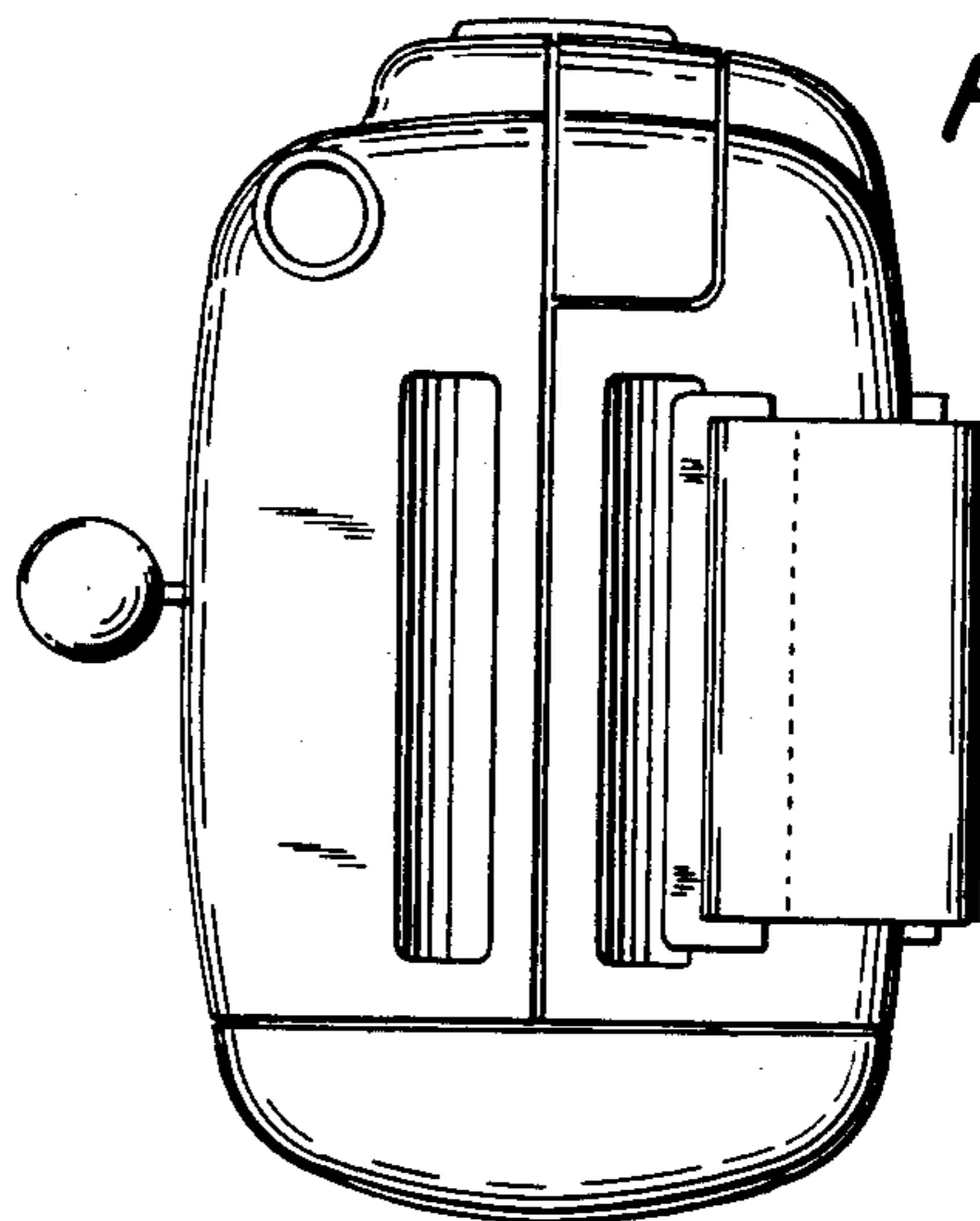


FIG. 3

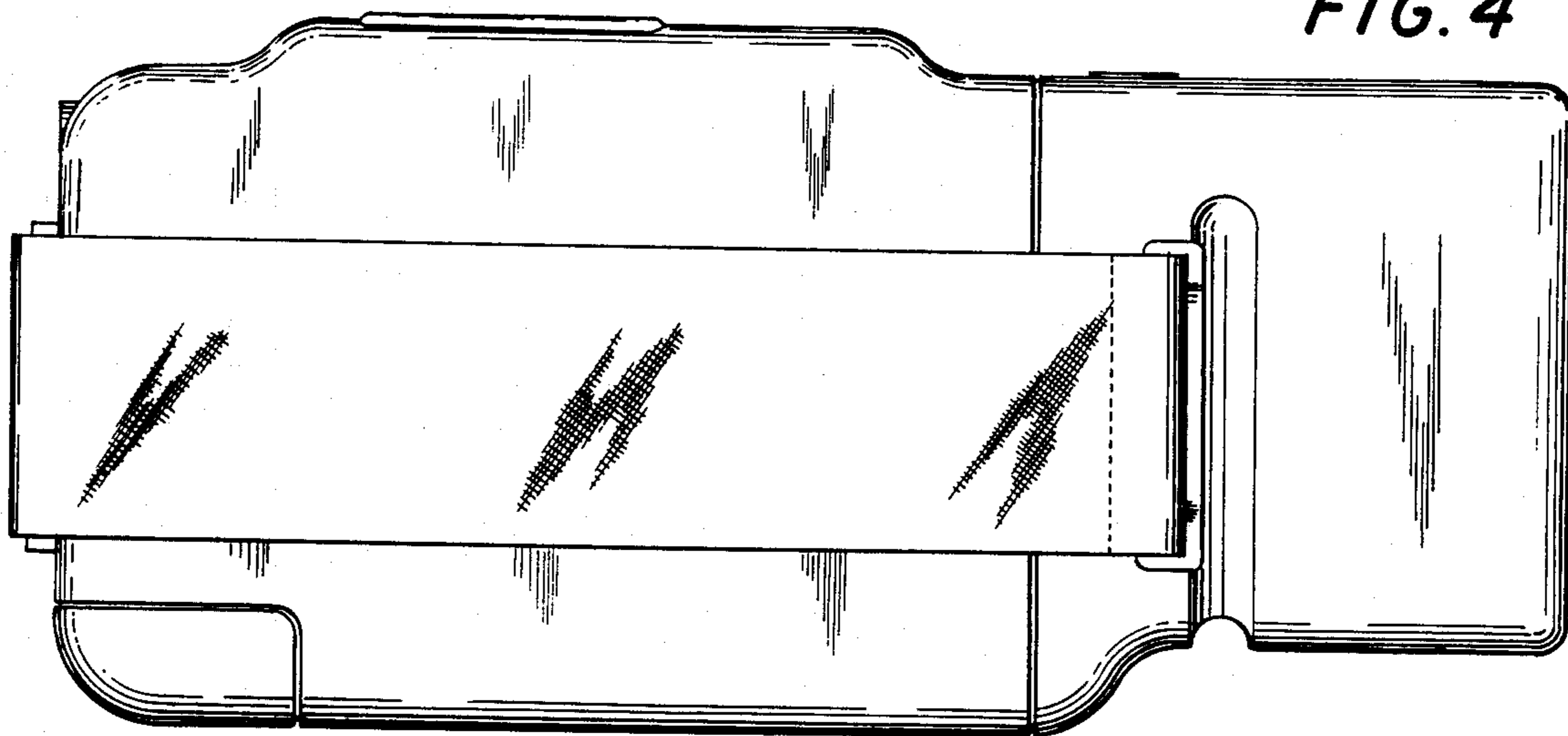


FIG. 4

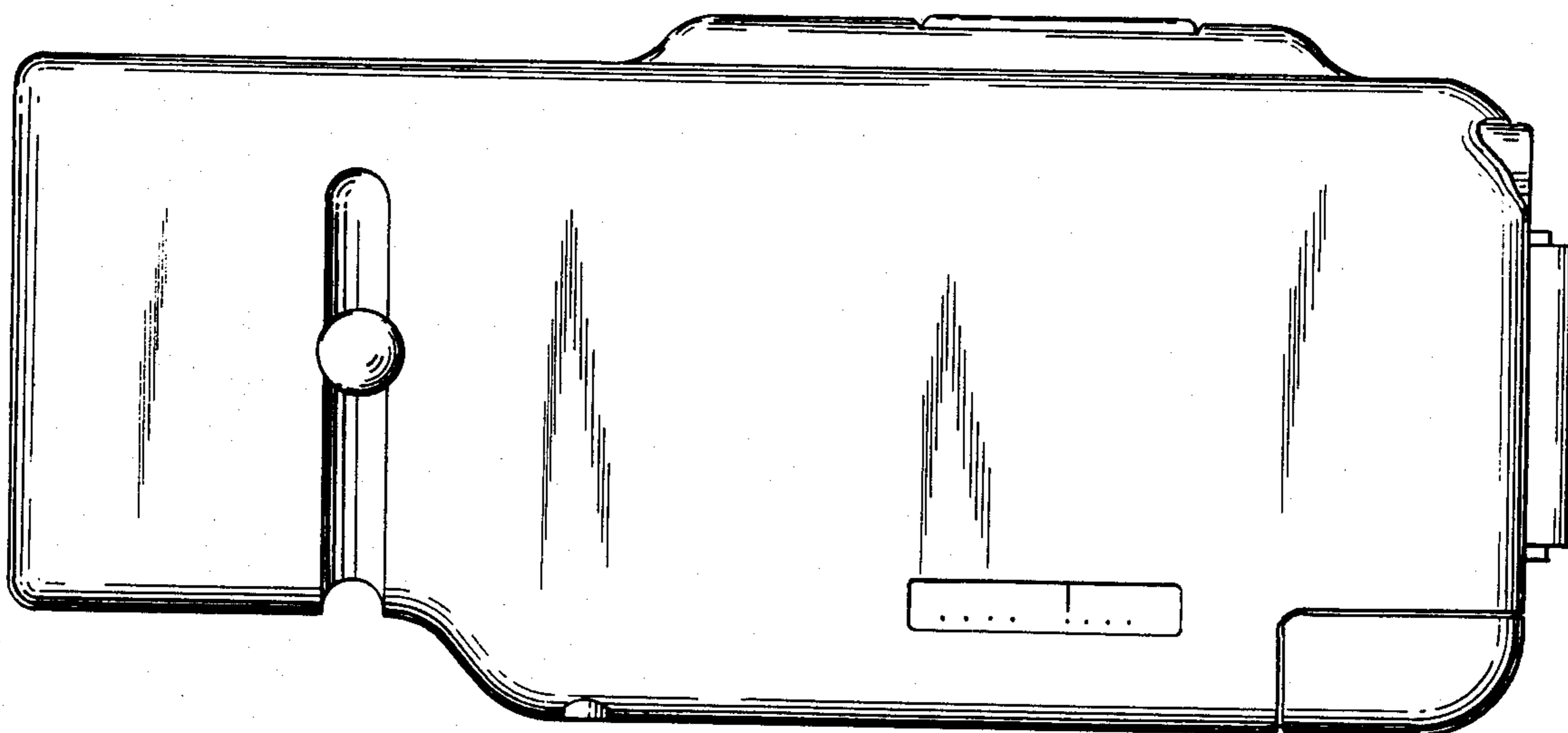


FIG. 5