

[54] SCREENING APPARATUS FOR QUARRYING

[75] Inventors: Patrick O'Neill; Patrick Joseph Douglas; Michael Lee Mallaghan, all of Dungannon, Ireland

[73] Assignee: Powerscreen International Limited

[\*\*] Term: 14 Years

[21] Appl. No.: 630,774

[22] Filed: Nov. 11, 1975

[51] Int. Cl. .... D12-05

[52] U.S. Cl. .... D12/58

[58] Field of Search ..... D55/1 D; D12/58, 53

[56] References Cited

U.S. PATENT DOCUMENTS

D. 237,105 10/1975 O'Neill et al. .... D55/1 C

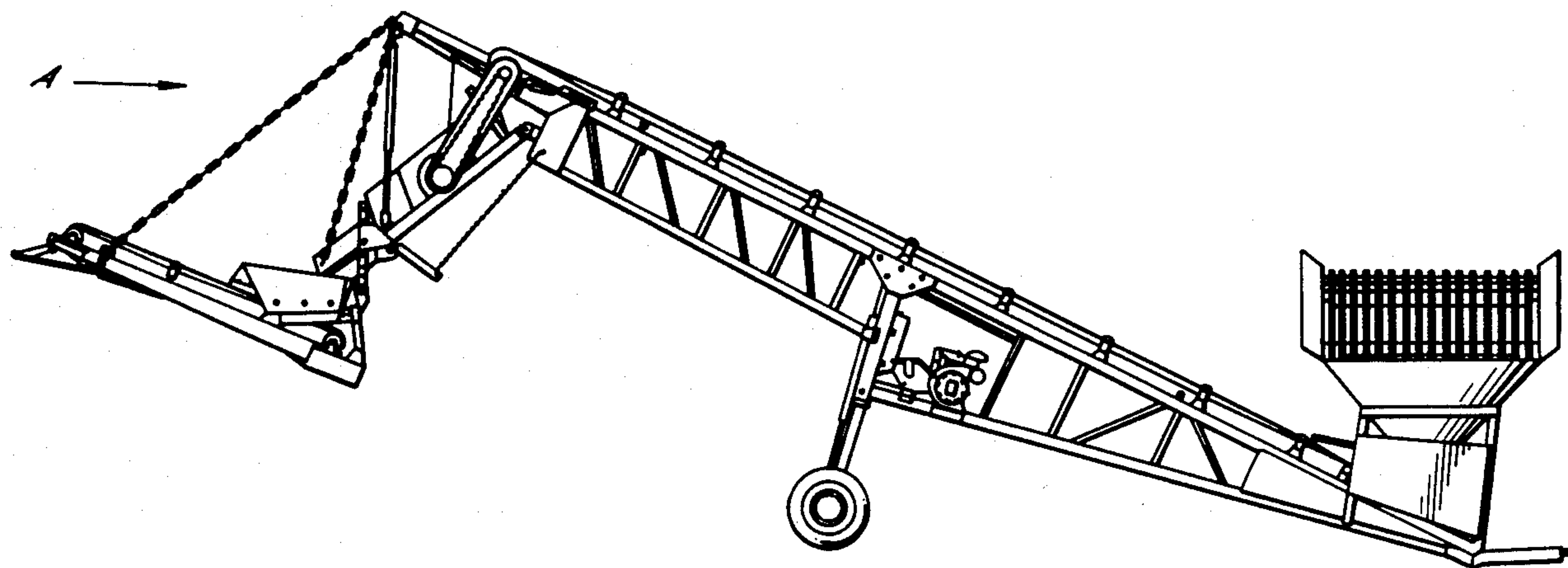
Primary Examiner—Alan P. Douglas  
Attorney, Agent, or Firm—Marcus B. Finnegan

[57] CLAIM

The ornamental design for a screening apparatus for quarrying, as shown and described.

DESCRIPTION

FIG. 1 is a side elevational view of a screening apparatus for quarrying, showing our invention, the side opposite that shown in FIG. 1 being a substantial mirror image of the side shown in FIG. 1; FIG. 2 is a top plan view thereof; and FIG. 3 is an end elevational view from the left side of FIG. 1.



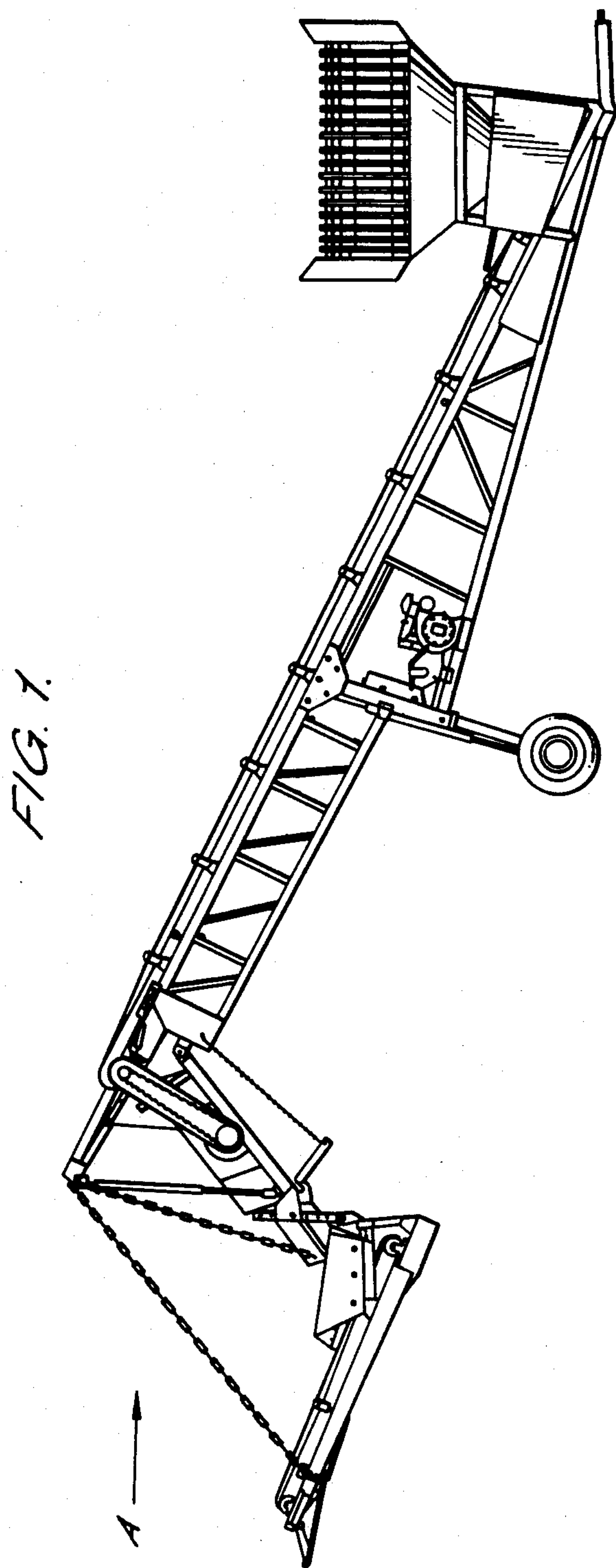
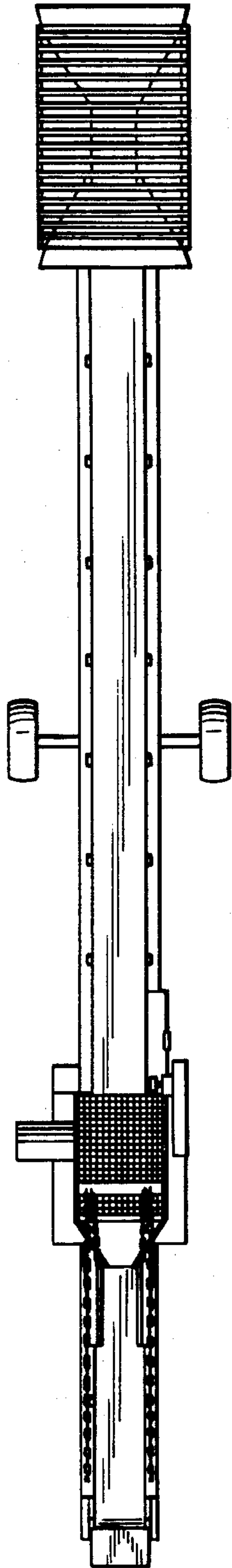


FIG. 2.



*FIG. 3.*

