

[54] **SULKY**

[75] **Inventors:** George Ernest Jones, Toronto;
Antonio Tangreda, Weston;
Gerardino Tangreda, Etobicoke, all
of Canada

[73] **Assignee:** Olympic Metal Products Limited,
Toronto, Canada

[**] **Term:** 14 Years

[21] **Appl. No.:** 678,639

[22] **Filed:** Apr. 20, 1976

[51] **Int. Cl.** D12-01

[52] **U.S. Cl.** D12/19

[58] **Field of Search** D12/19; 280/63, 66,
280/70, 72, 75, 47.25, 47.24

[56]

References Cited

U.S. PATENT DOCUMENTS

3,173,706	3/1965	Britten	280/63
3,256,125	6/1966	Tyler	280/63
3,847,408	11/1974	King	280/63
D. 149,451	4/1948	Shuttleworth	D12/19
D. 151,582	11/1948	Bates	D12/19

Primary Examiner—Wallace R. Burke
Assistant Examiner—James M. Gandy
Attorney, Agent, or Firm—Lewis E. Hanley

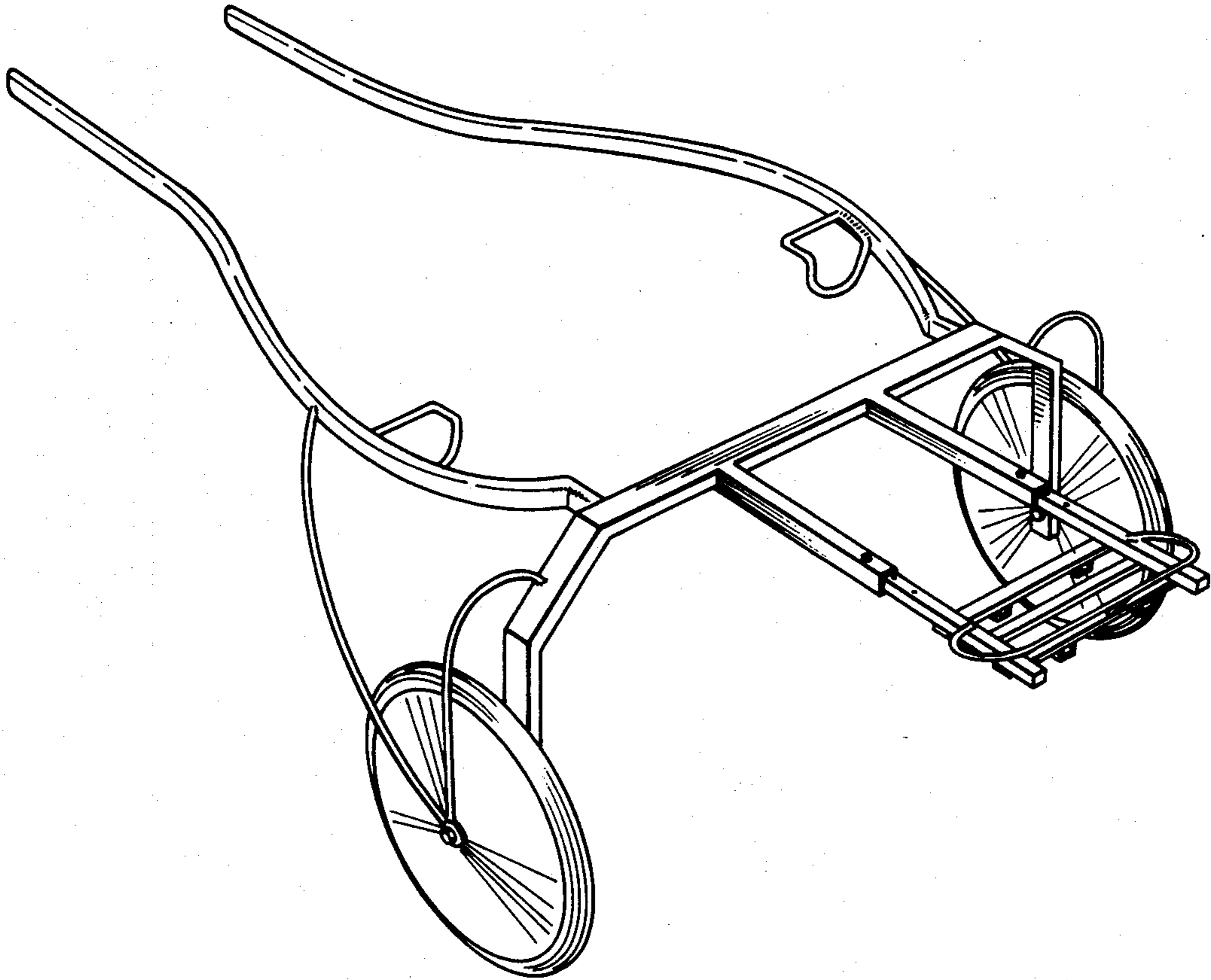
[57]

CLAIM

The ornamental design for a sulky, as shown.

DESCRIPTION

FIG. 1 is a top perspective view of a sulky showing our new design; and
FIG. 2 is a bottom perspective view thereof.



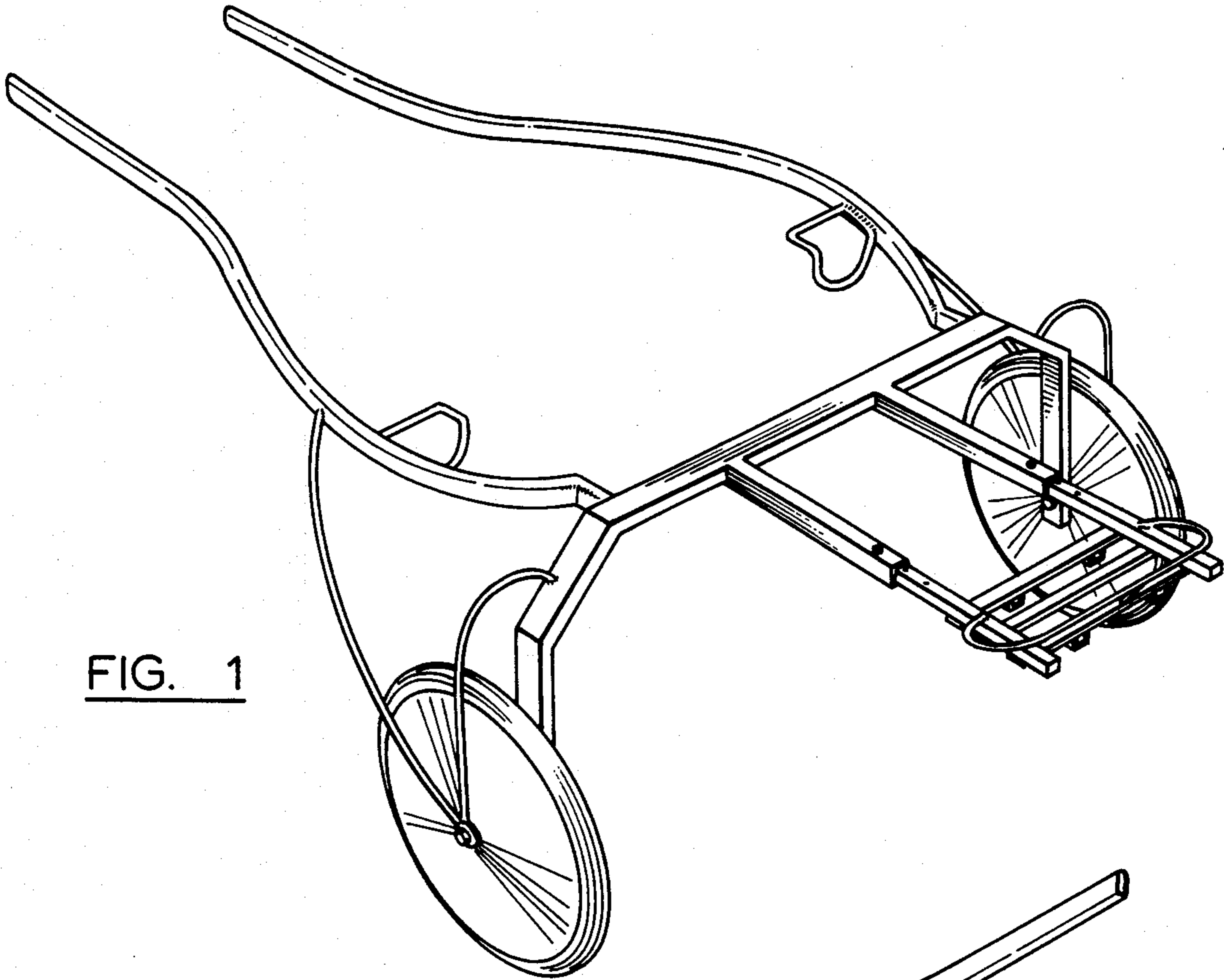


FIG. 1

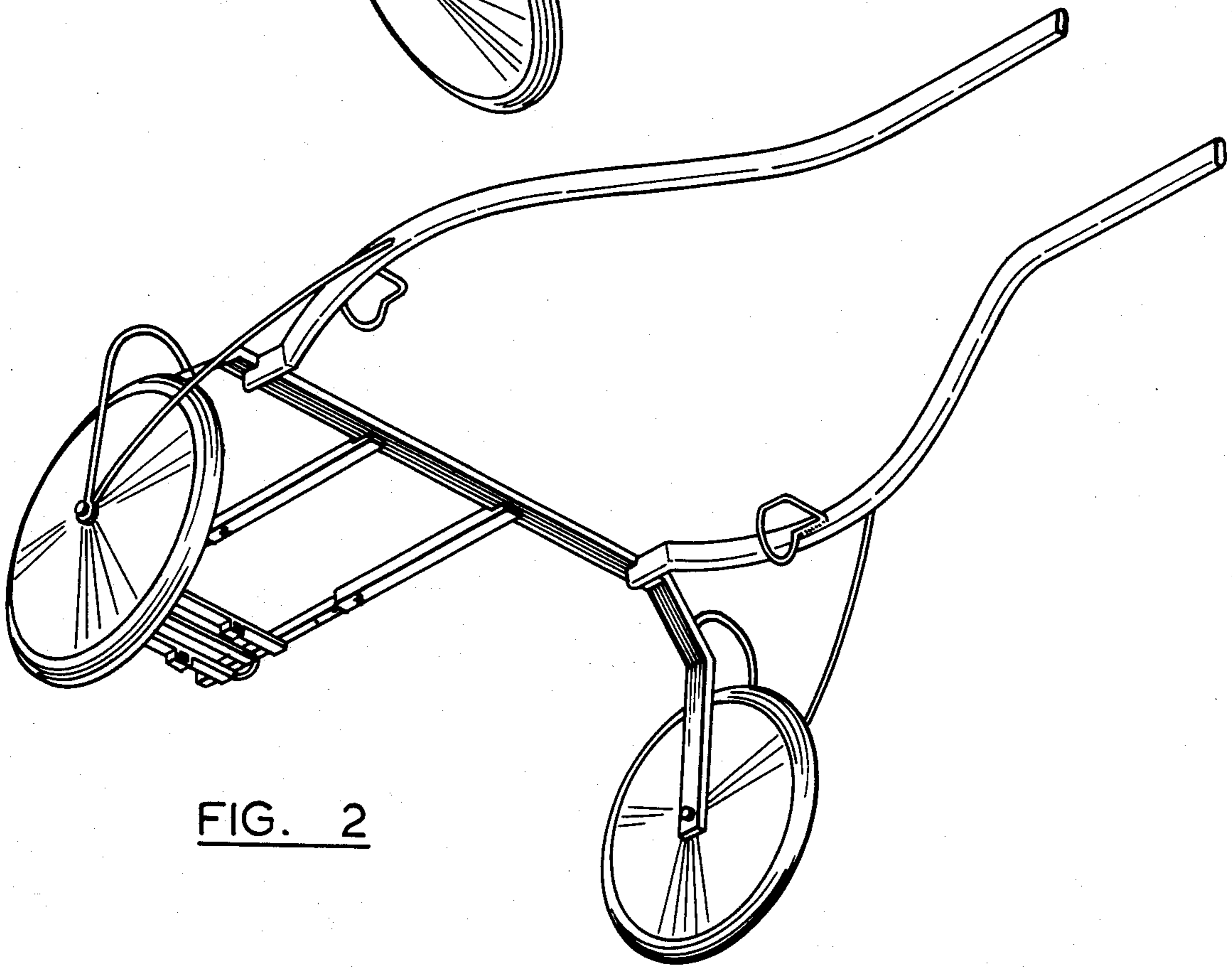


FIG. 2