

[54] NUT

[75] Inventor: Frank L. Gill, Palos Verdes Peninsula, Calif.

[73] Assignee: Hi-Shear Corporation, Torrance, Calif.

[**] Term: 14 Years

[21] Appl. No.: 611,075

[22] Filed: Sept. 8, 1975

[51] Int. Cl. D8-08

[52] U.S. Cl. D8/397

[58] Field of Search D8/273; 151/21

[56]

References Cited

U.S. PATENT DOCUMENTS

2,940,495	6/1960	Wing	151/21
D. 191,883	12/1961	Wing	D8/273
D. 223,187	3/1972	Wing	D8/273
D. 233,652	11/1974	Wing	D8/273

Primary Examiner—William N. Wertman
Attorney, Agent, or Firm—Donald D. Mon

[57]

CLAIM

The ornamental design for a nut, as shown.

DESCRIPTION

FIG. 1 is a side elevation of the nut; and
FIGS. 2 and 3 are respectively top and bottom views in
FIG. 1.

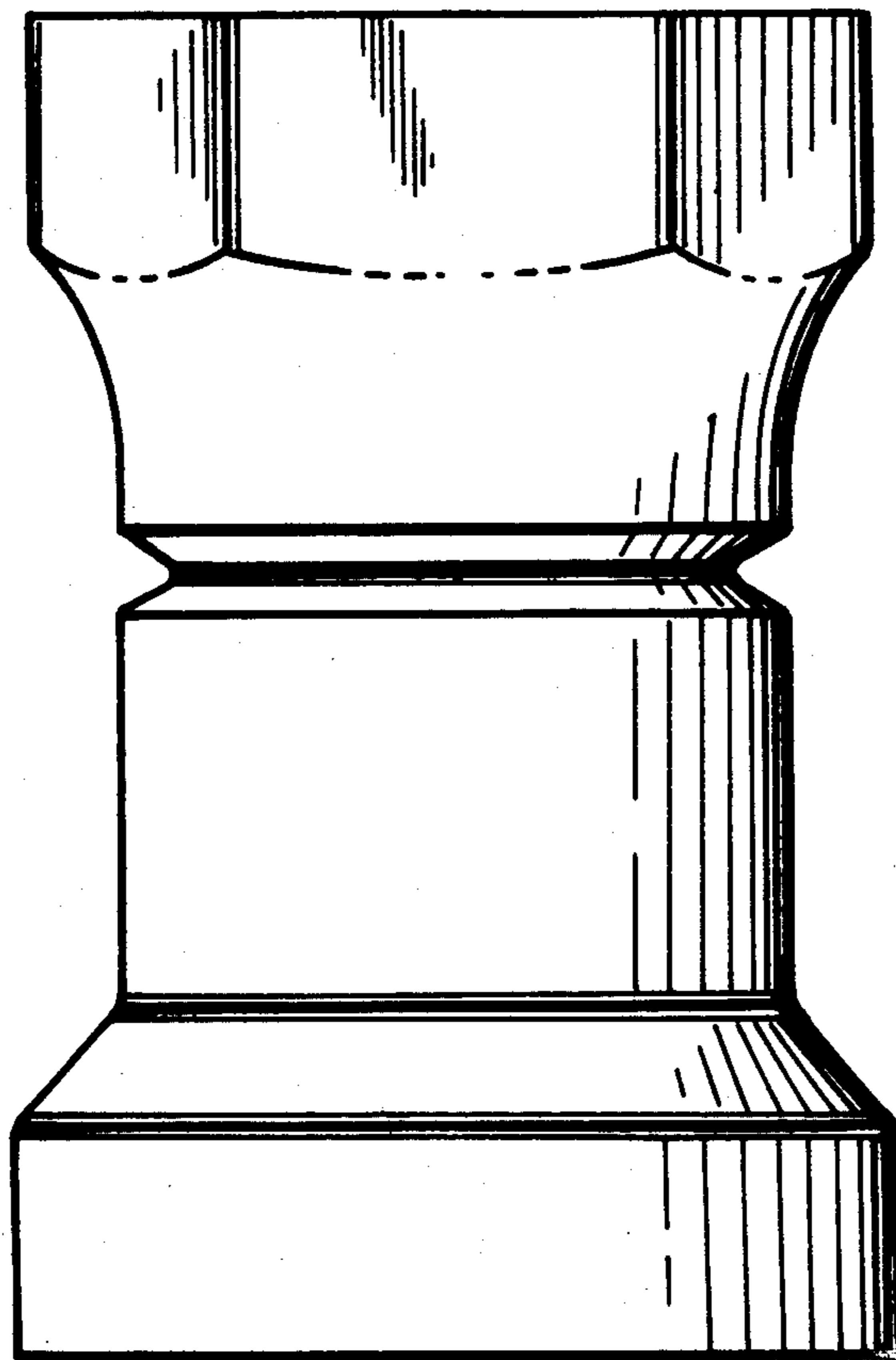


FIG. 1

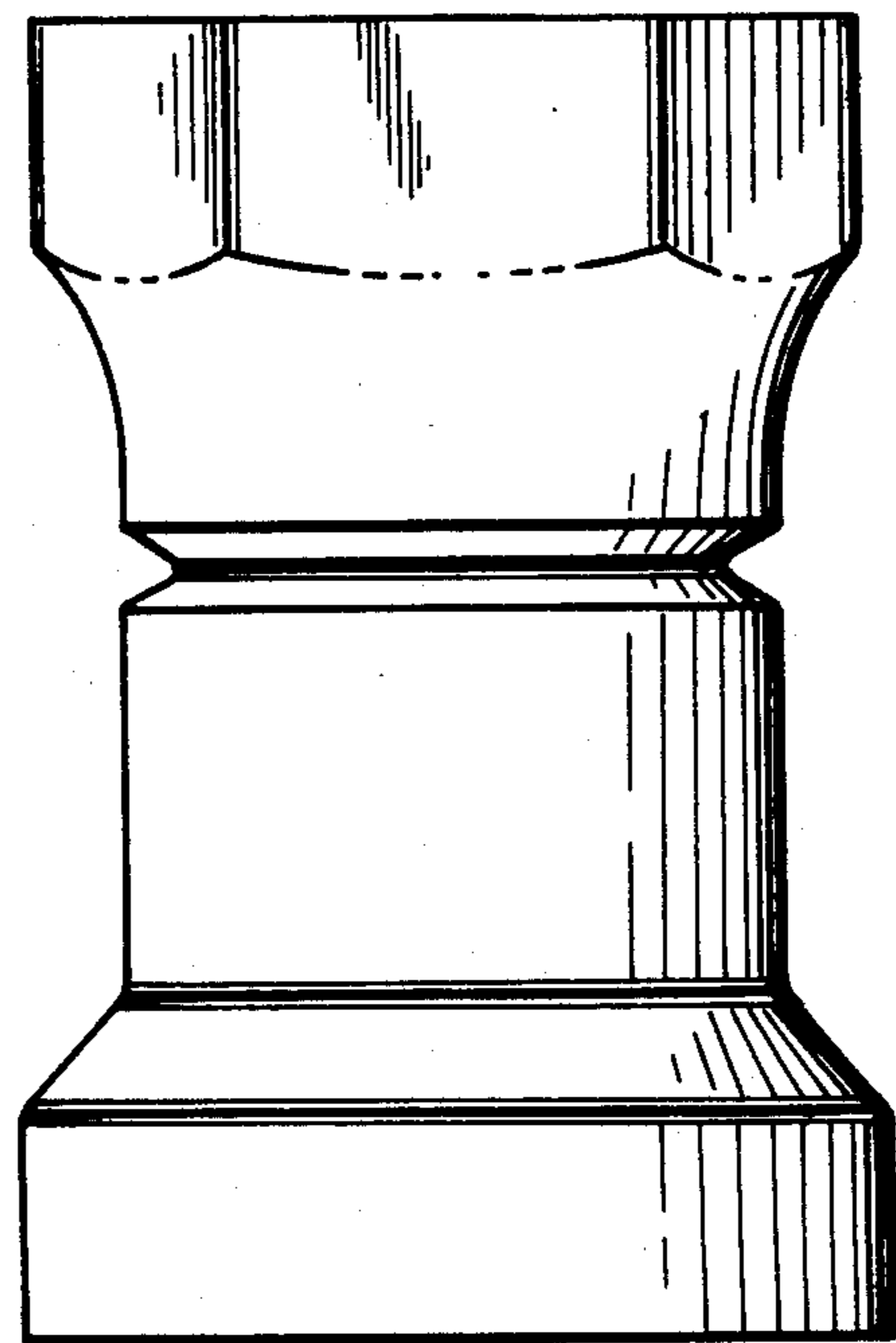


FIG. 3

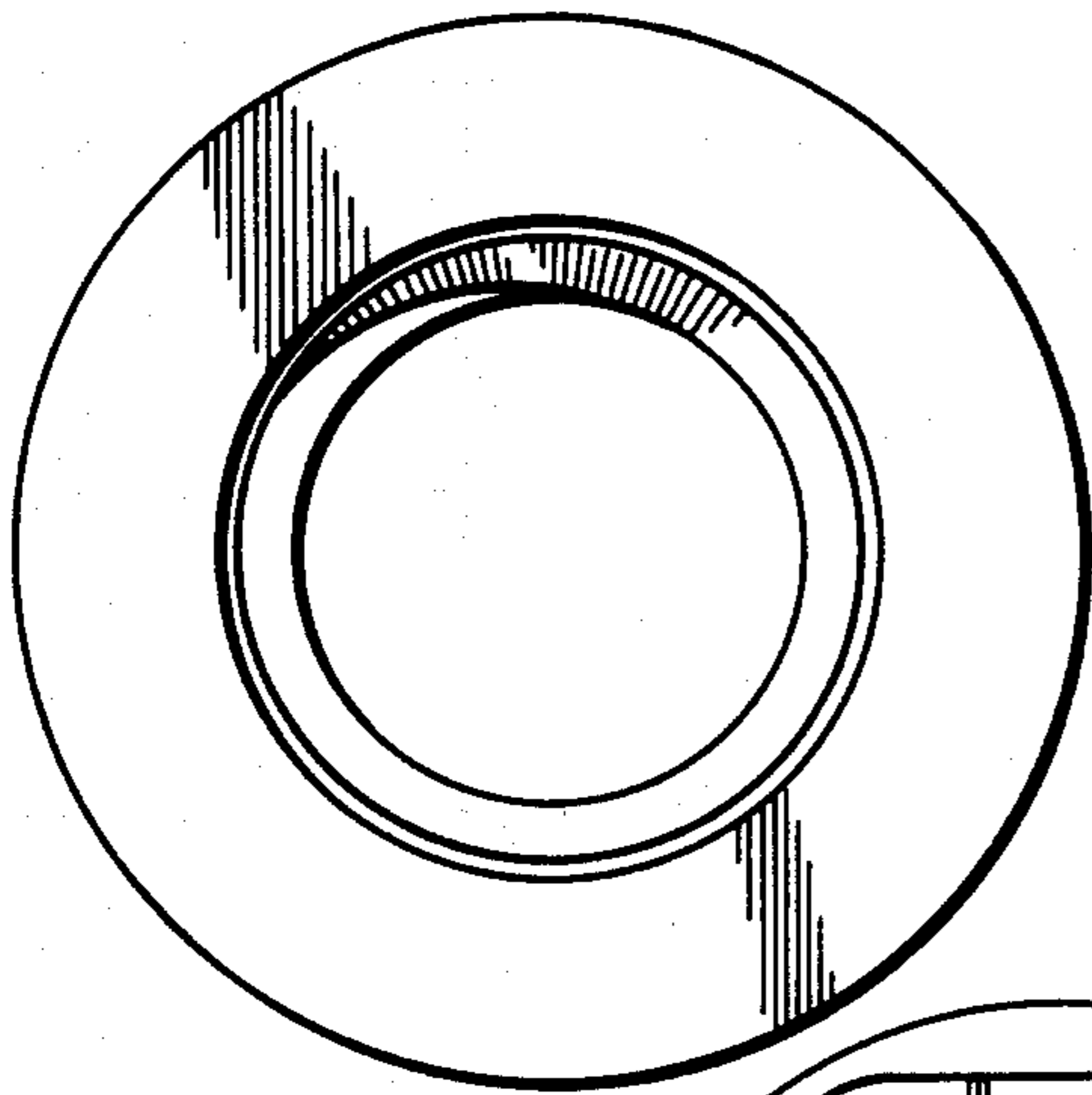


FIG. 2

