

[54] NUT

[75] Inventors: **Edwin E. Hatter**, Torrance; **Bartrom W. Pierce**, San Pedro, both of Calif.

[73] Assignee: **Hi-Shear Corporation**, Torrance, Calif.

[**] Term: **14 Years**

[21] Appl. No.: **611,074**

[22] Filed: **Sept. 8, 1975**

[51] Int. Cl. **D8-08**

[52] U.S. Cl. **D8/397**

[58] Field of Search **151/121**

[56] **References Cited**

U.S. PATENT DOCUMENTS

2,940,495	6/1960	Wing	151/21
D. 191,883	12/1961	Wing	D8/273
D. 223,187	3/1972	Wing	D8/273
D. 233,652	11/1974	Wing	D8/273

Primary Examiner—William N. Wertman
Attorney, Agent, or Firm—Donald D. Mon

[57] **CLAIM**

The ornamental design for a nut, as shown.

DESCRIPTION

FIG. 1 is a side elevation of the nut;
 FIGS. 2 and 3 are respectively top and bottom views in FIG. 1.

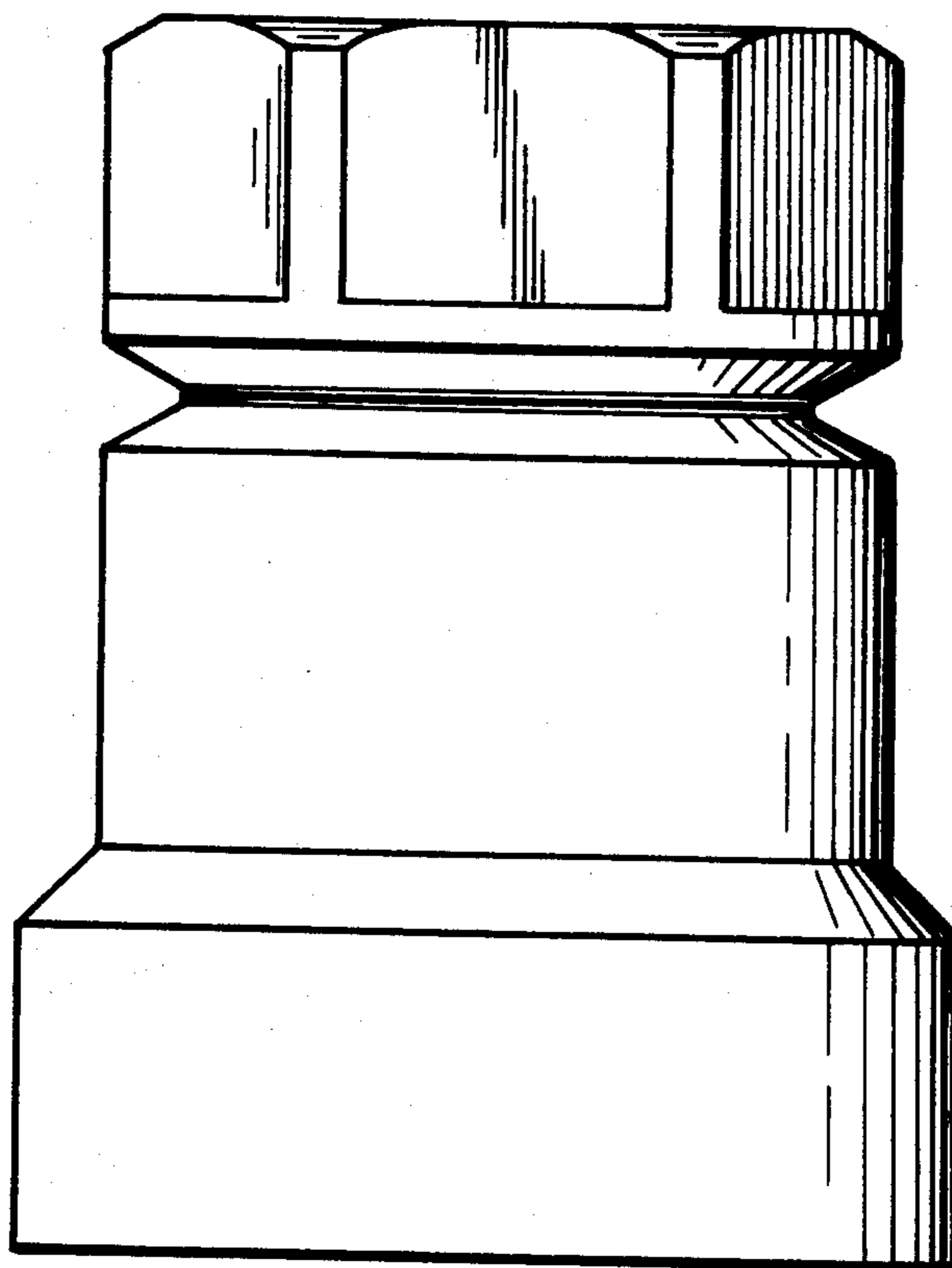


FIG. 1

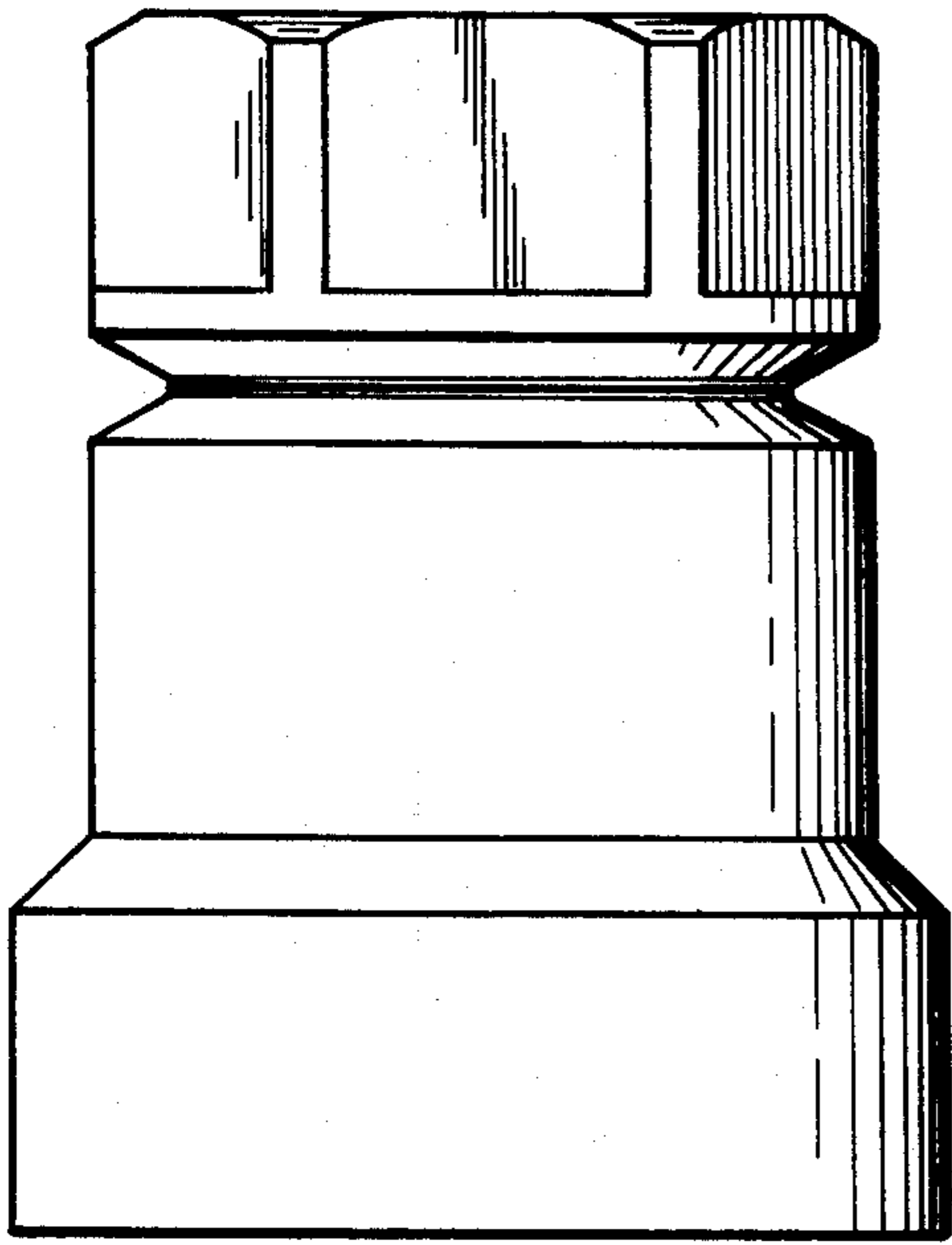


FIG. 2

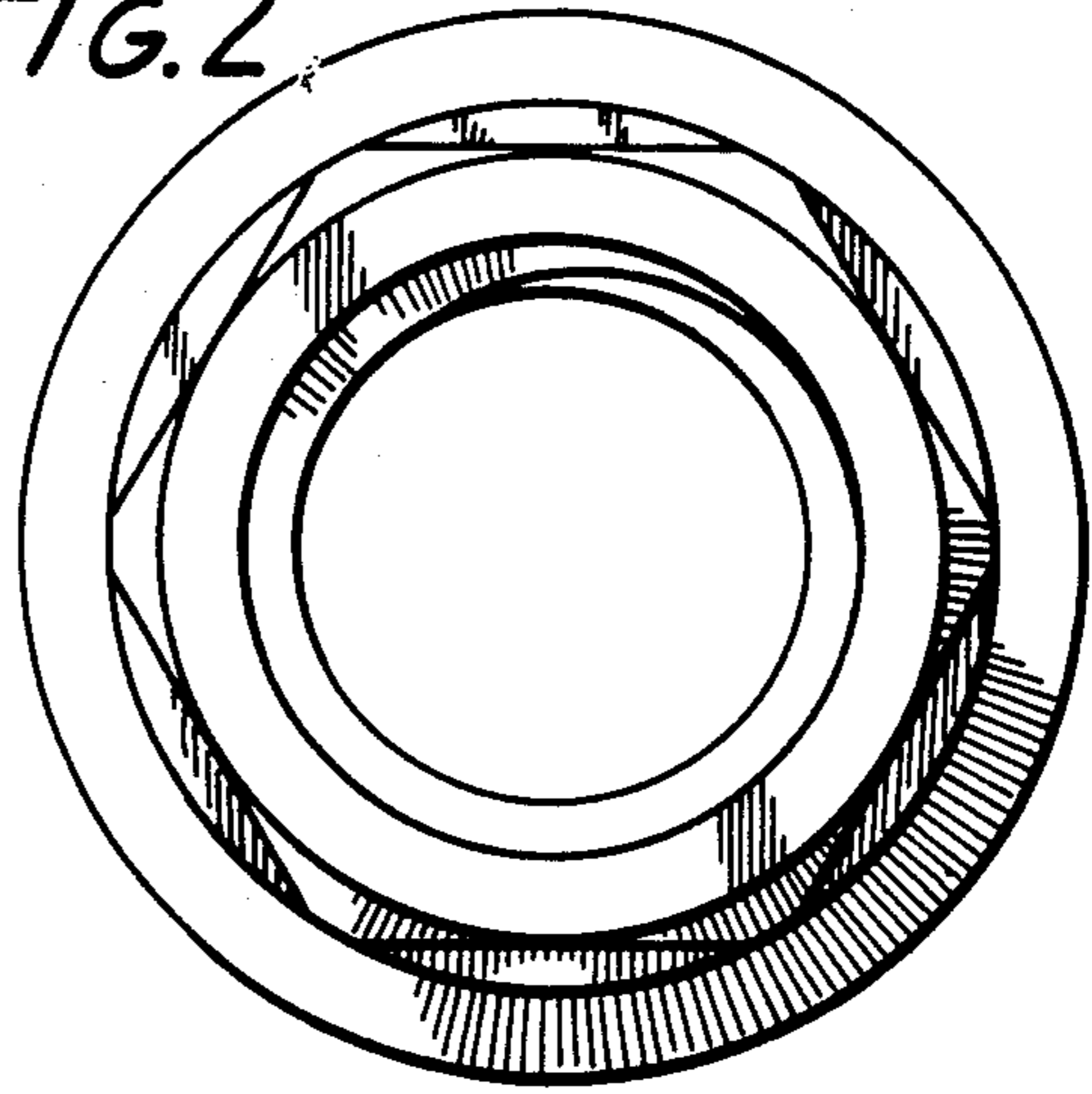


FIG. 3

