

[54] SKI CLAMP

[76] Inventor: Reinhold G. Link, 8510 Dog Leg Road, Dayton, Ohio 45414

[**] Term: 14 Years

[21] Appl. No.: 585,977

[22] Filed: June 11, 1975

[51] Int. Cl. D8-08

[52] U.S. Cl. D8/395

[58] Field of Search D34/14 R, 14 B-14 E; 280/11.37 A, 11.37 R; D8/233, 235, 243, 247.6, 255, 259; 224/5.2, 45 S; 24/73 SG, 81 SK, 137 A; 211/60 SK; 248/226 E, 74 A

[56] References Cited

U.S. PATENT DOCUMENTS

2,956,812 10/1960 Lundquist 211/60 SK
3,188,605 6/1965 Slenker 24/137 A

3,564,667 2/1971 Parrick 24/81 SK
D. 218,144 7/1970 Branson D8/259

FOREIGN PATENT DOCUMENTS

32,791 1/1935 Italy 280/11.37

Primary Examiner—Joel Stearman
Assistant Examiner—C. A. Rademaker
Attorney, Agent, or Firm—Lawrence B. Biebel

[57] CLAIM

The ornamental design for a ski clamp, substantially as shown and described.

DESCRIPTION

FIG. 1 is a perspective view of a ski clamp showing my new design;
FIG. 2 is a side elevational view thereof;
FIG. 3 is a top plan view thereof;
FIG. 4 is a bottom plan view thereof;
FIG. 5 is a front elevational view thereof; and,
FIG. 6 is a rear elevational view thereof.

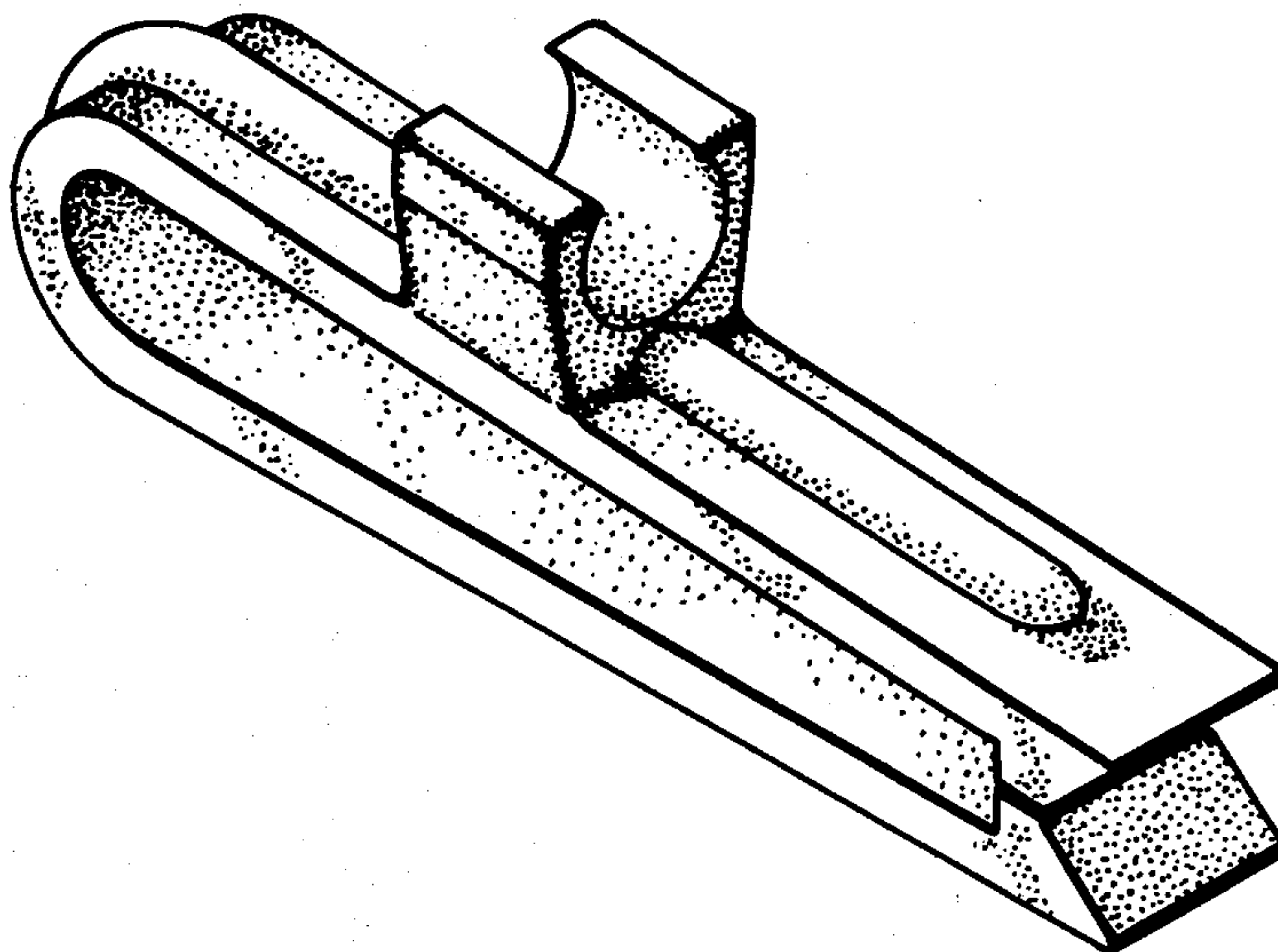


FIG-1

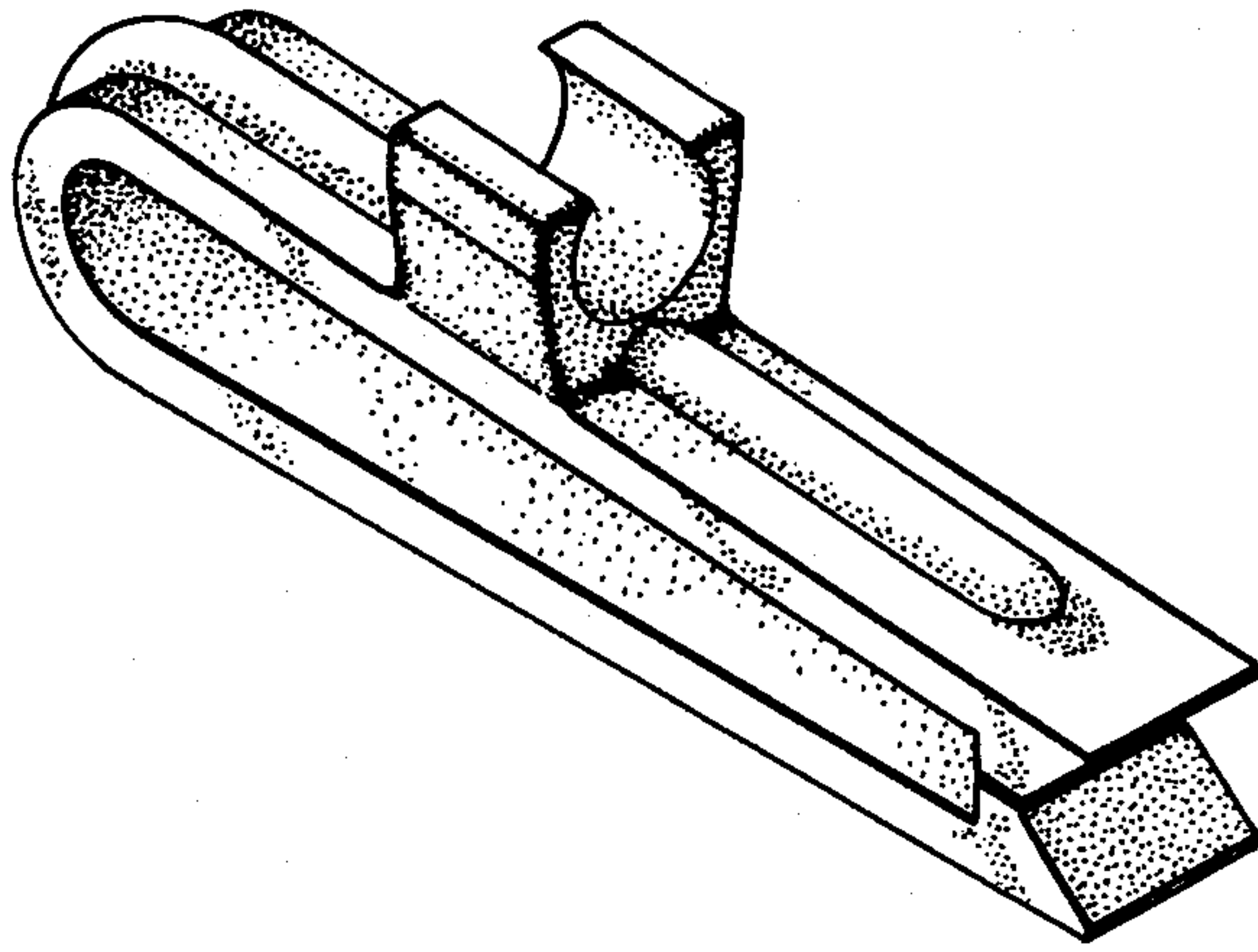


FIG-2

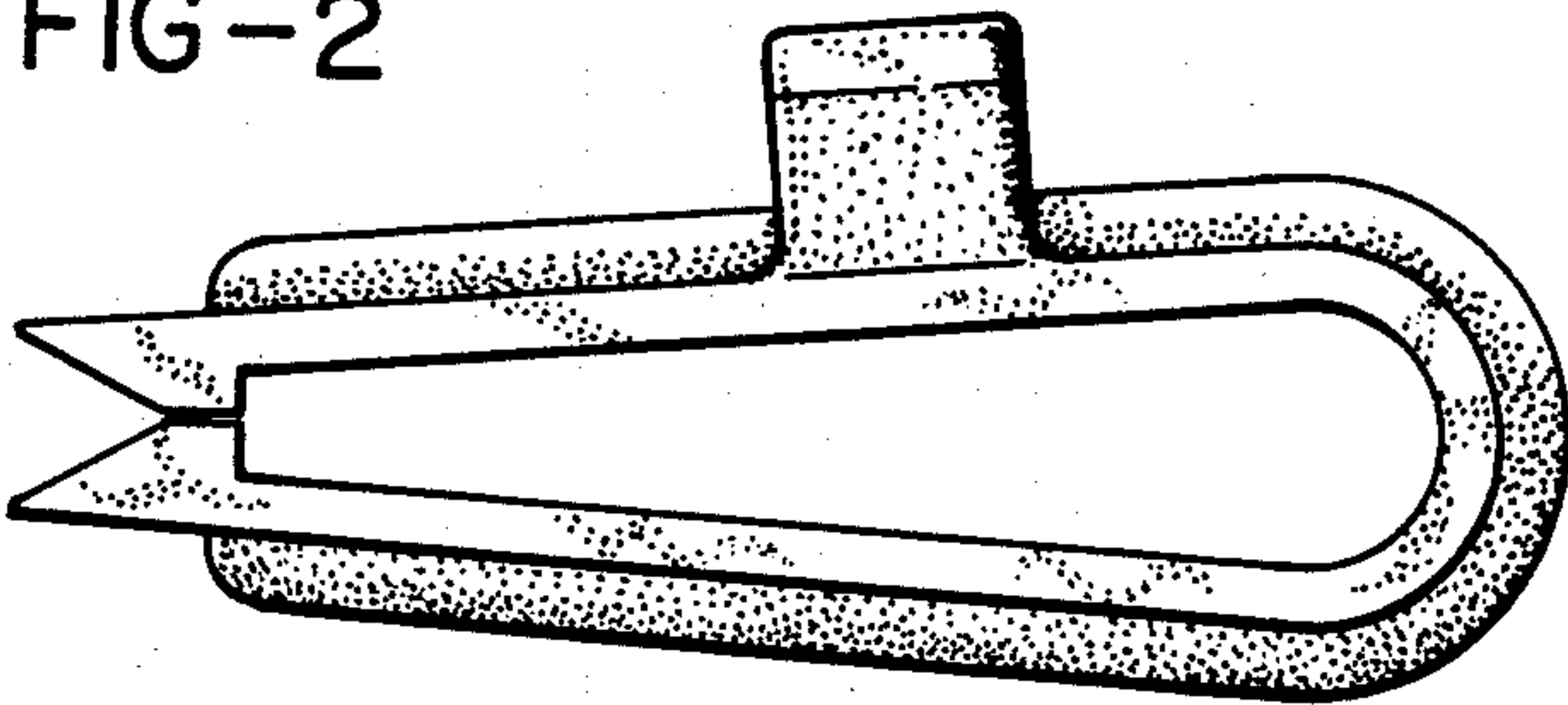


FIG-3

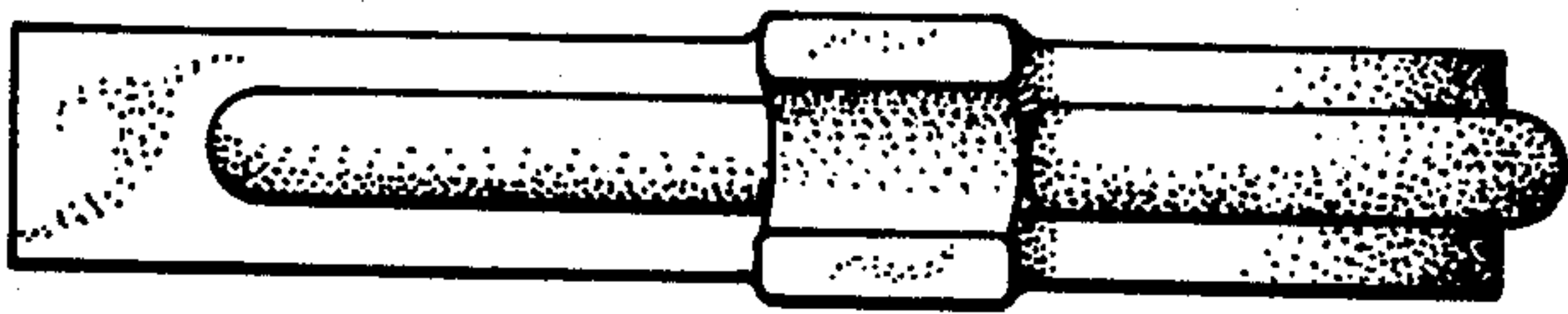


FIG-4

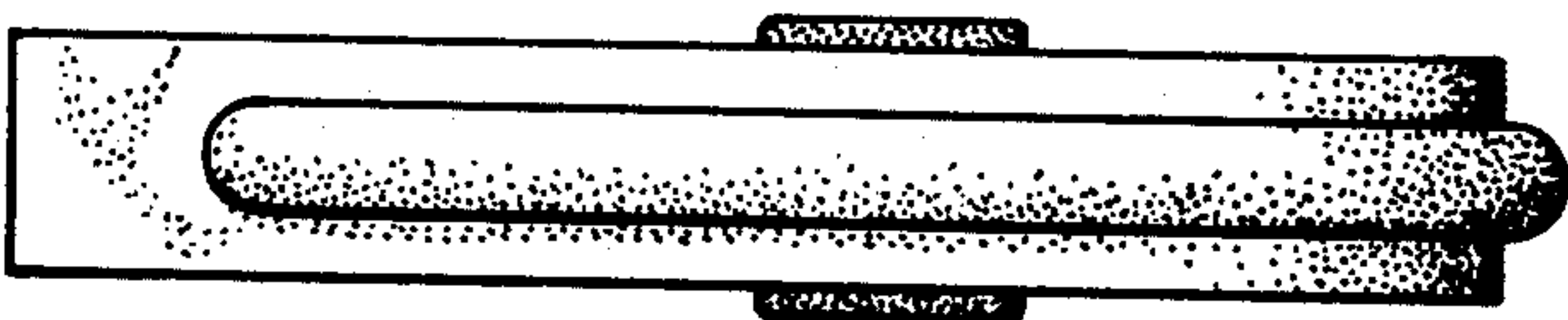


FIG-5

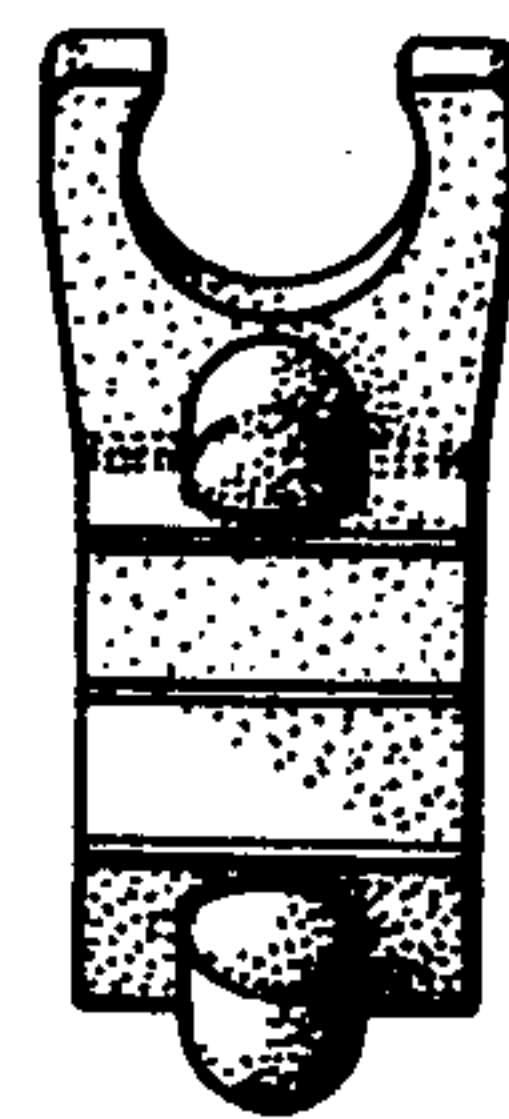


FIG-6

