

[54] **DEVICE FOR SEVERING HYPODERMIC NEEDLES AND THE LIKE**

[75] Inventors: **Richard Roy Brunner, Hershey; Gabriel Boenzli, Newport, both of Pa.**

[73] Assignee: **AMP Incorporated, Harrisburg, Pa.**

[\*\*] Term: **14 Years**

[21] Appl. No.: **694,518**

[22] Filed: **June 10, 1976**

[51] Int. Cl. .... **D8-03**

[52] U.S. Cl. .... **D8/58**

[58] Field of Search ..... **D8/58, 98; 30/233, 226**

[56] **References Cited**

**U.S. PATENT DOCUMENTS**

3,333,338 8/1967 Burns ..... 30/233  
D. 226,548 3/1973 Burgeson ..... D8/58

*Primary Examiner*—Alan P. Douglas  
*Attorney, Agent, or Firm*—William J. Keating

[57] **CLAIM**

The ornamental design for a device for severing hypodermic needles and the like, as shown and described.

**DESCRIPTION**

FIG. 1 is a perspective view of a device for severing hypodermic needles and the like showing my new design.

FIG. 2 is a top plan view thereof.

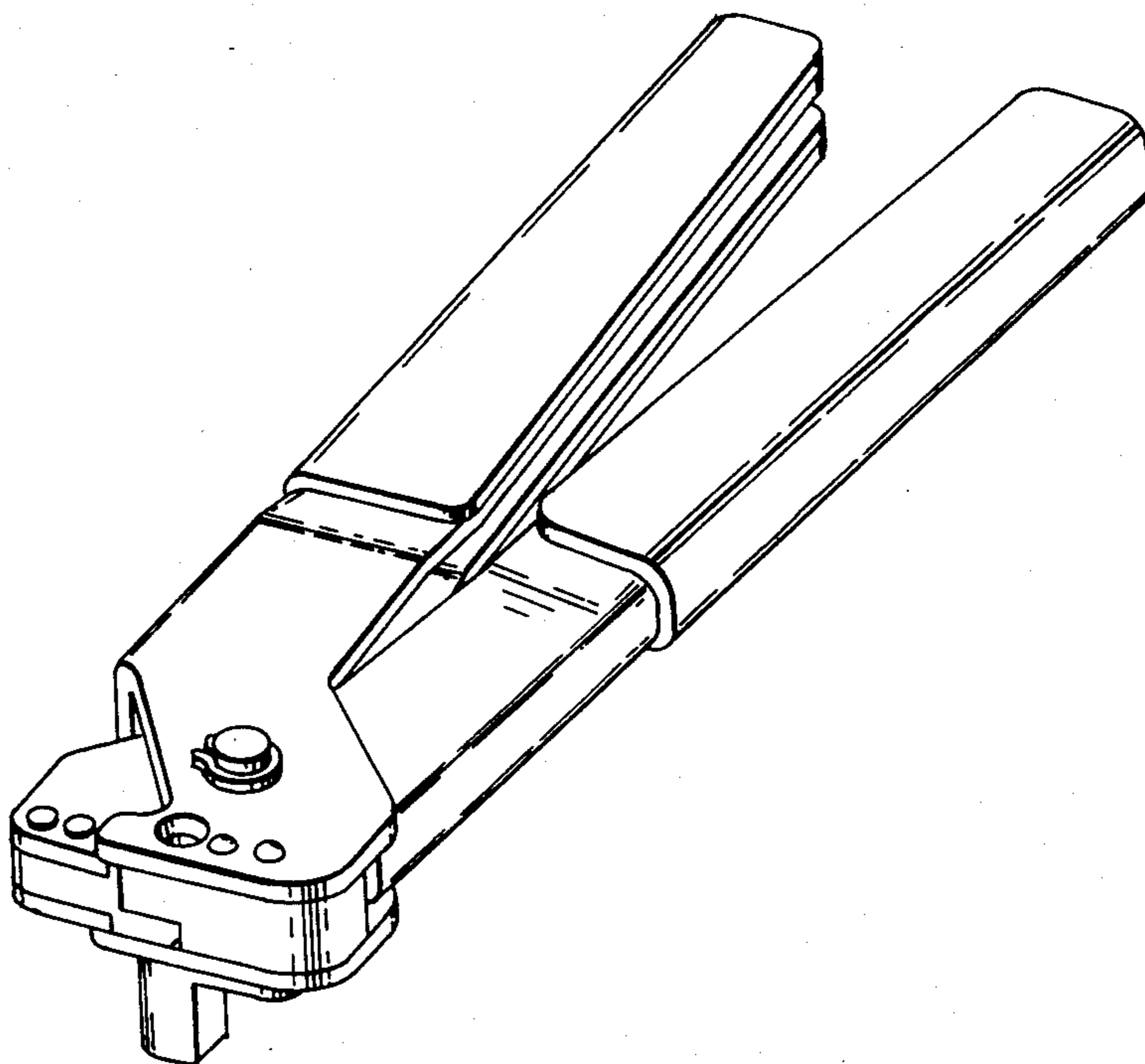
FIG. 3 is a left side elevational view thereof.

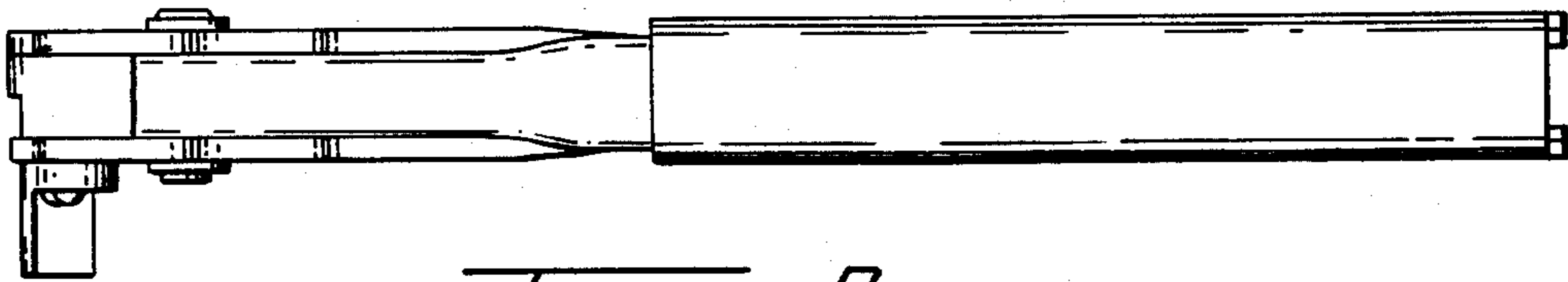
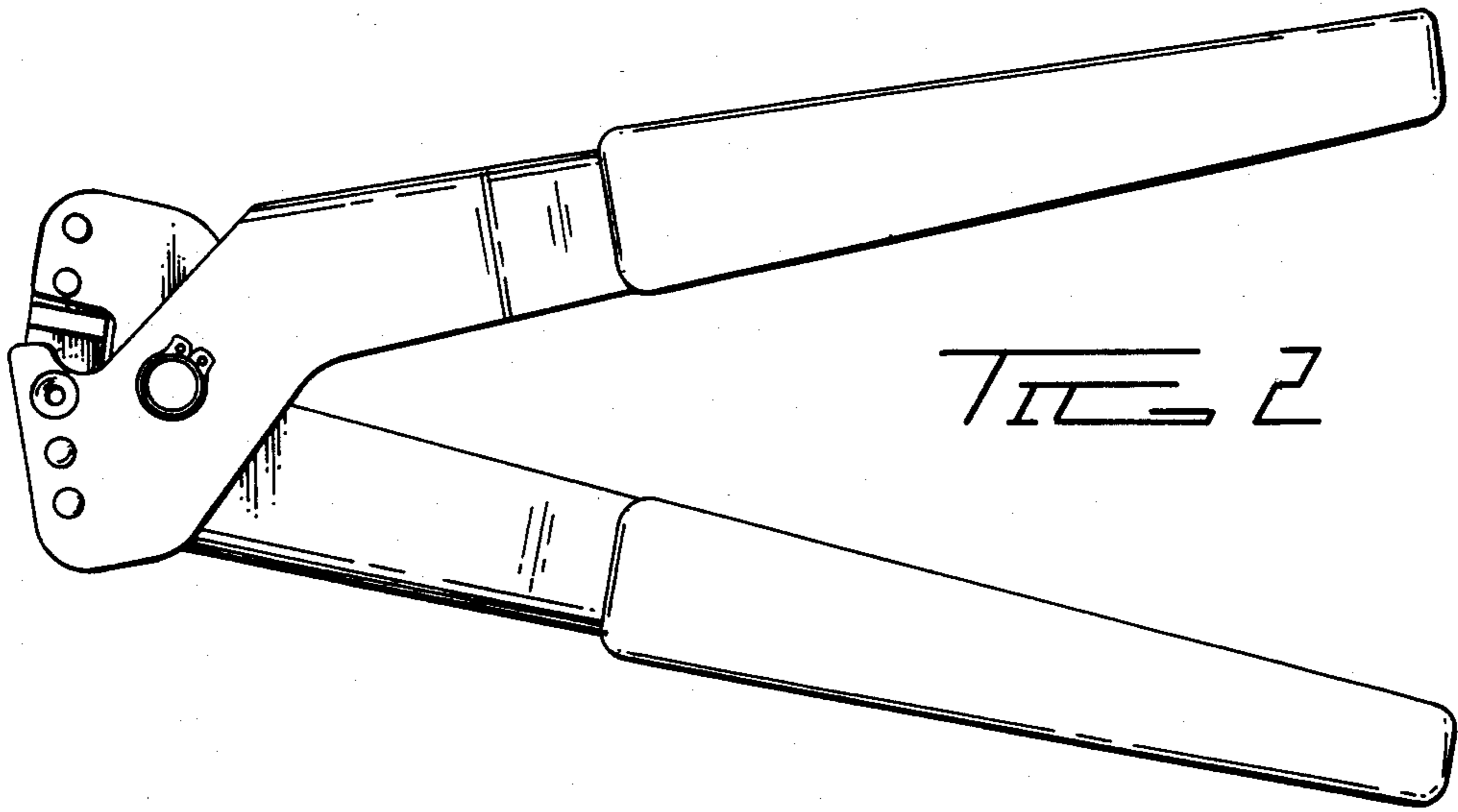
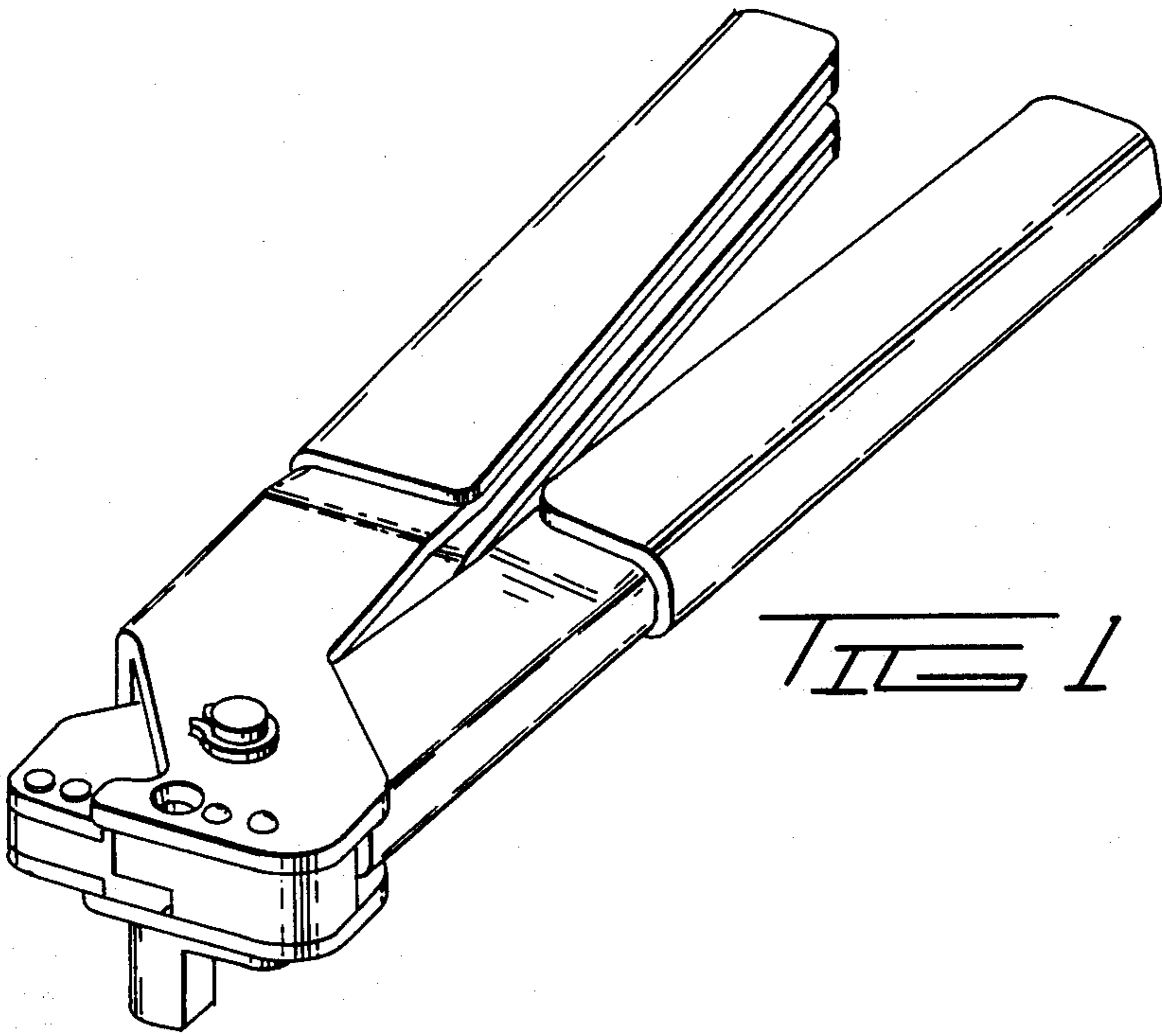
FIG. 4 is a bottom plan view thereof.

FIG. 5 is a right side elevational view thereof.

FIG. 6 is a front elevational view thereof.

FIG. 7 is a rear elevational view thereof.





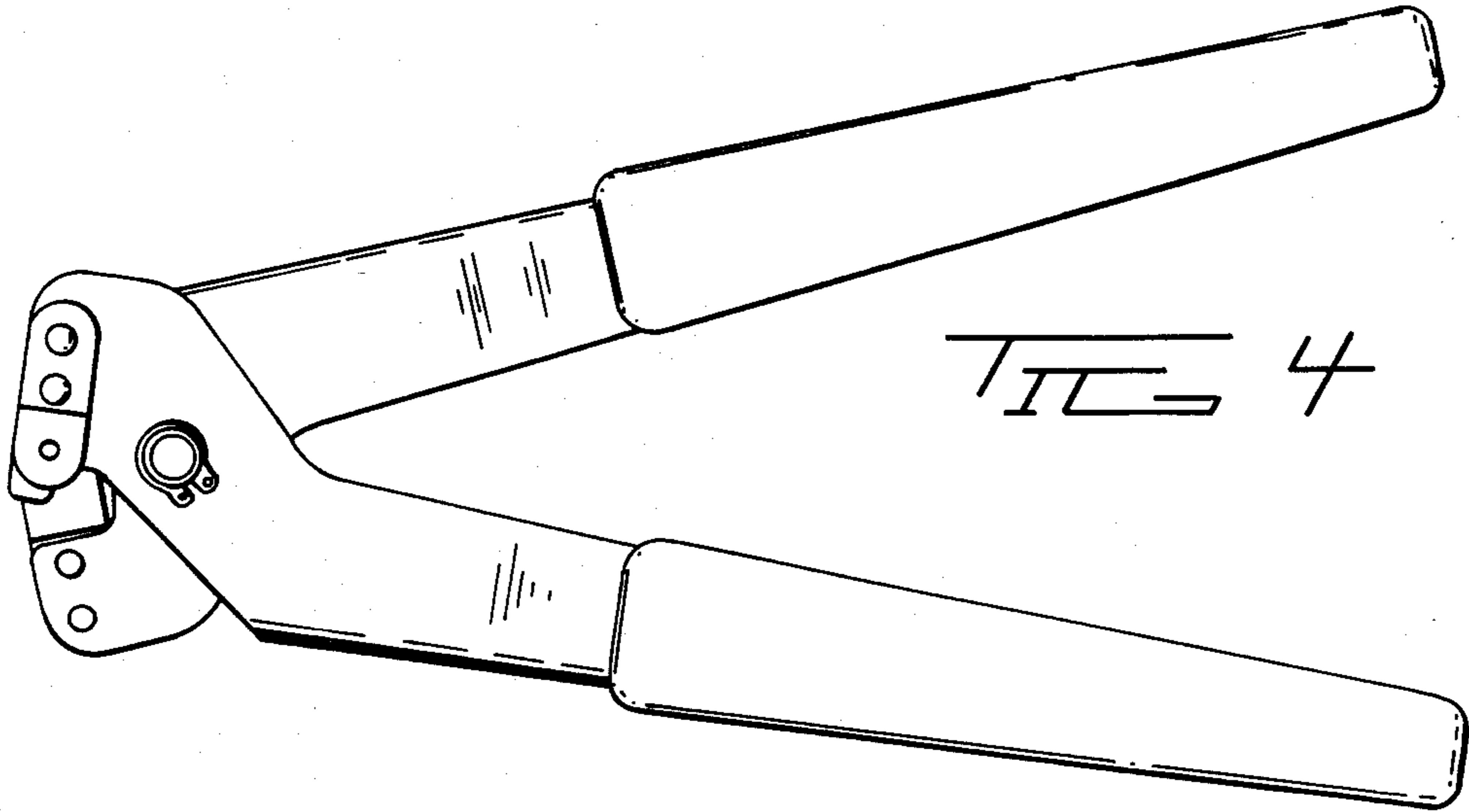


FIG 4

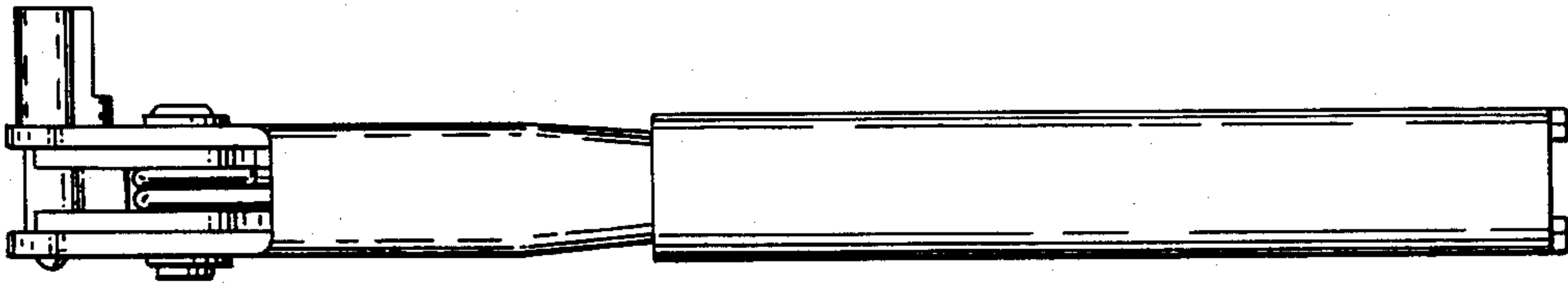


FIG 5

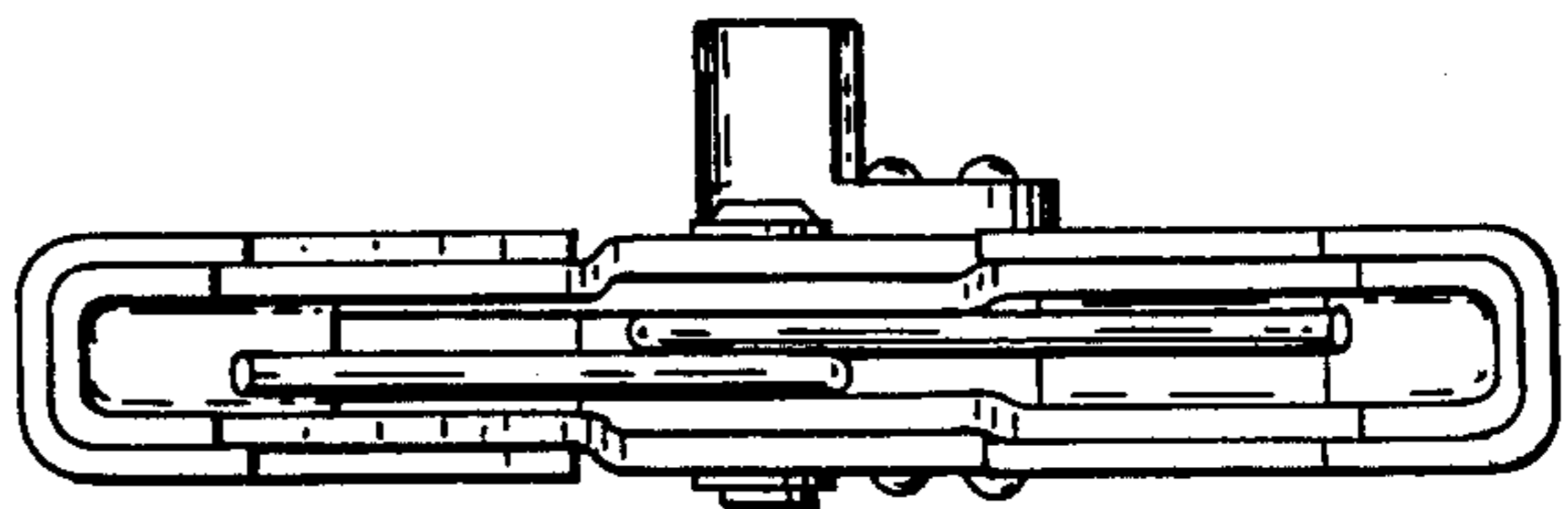


FIG 7

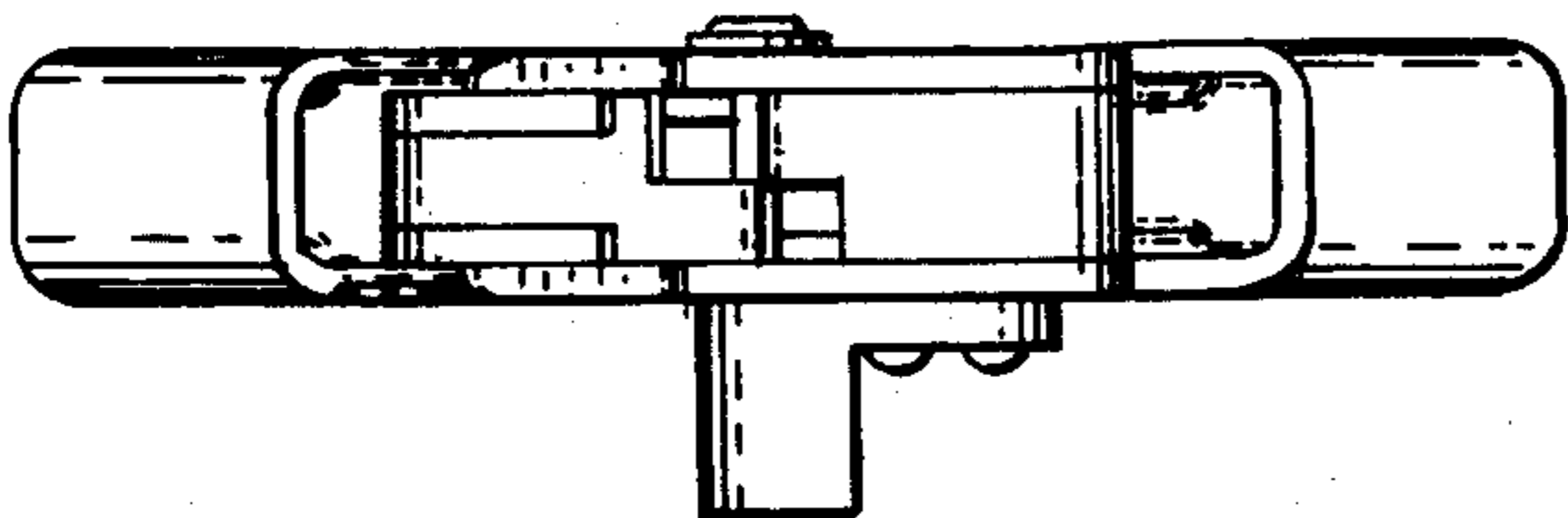


FIG 6