

[54] SOFA BED

[75] Inventor: Erich Grachten, Detmold, Germany

[73] Assignee: Burris Industries, Incorporated, Lincolnton, N.C.

[**] Term: 14 Years

[21] Appl. No.: 624,528

[22] Filed: Oct. 22, 1975

[51] Int. Cl. D6-01

[52] U.S. Cl. D6/63

[58] Field of Search D6/47-78

[56] **References Cited**

OTHER PUBLICATIONS

- Interiors, July 1974, p. 38, "Playpen" seating group by Selig.
- Rowe Furn. Cat., Spring 1975, rec'd. Sept. 5, 1975, p. C-794, Seating Unit.

Home Furnishings Daily, July 14, 1975, p. 12, Seating Unit by Babcock Phillips.

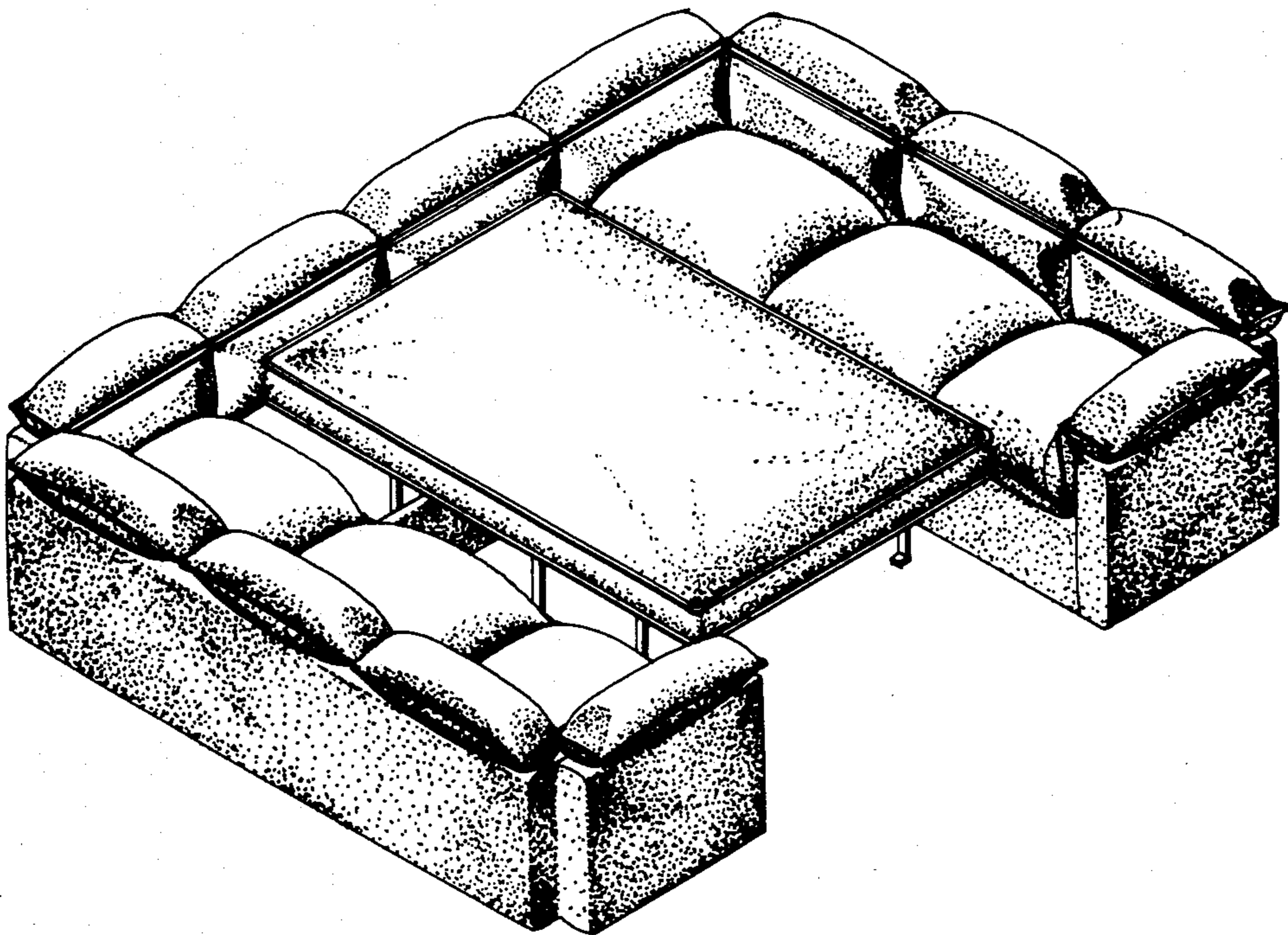
Primary Examiner—Bruce W. Dunkins
Attorney, Agent, or Firm—Daniel E. McConnell

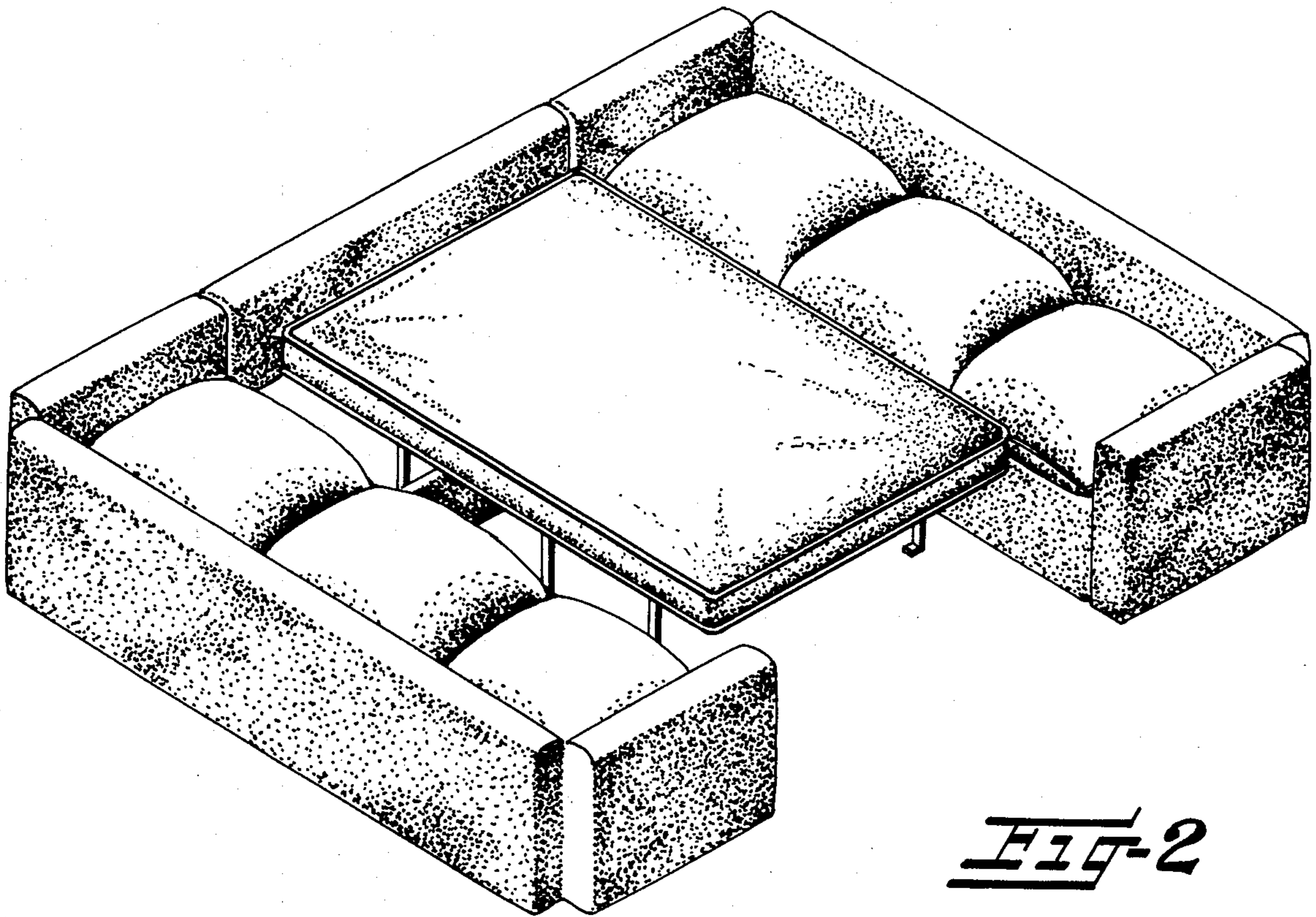
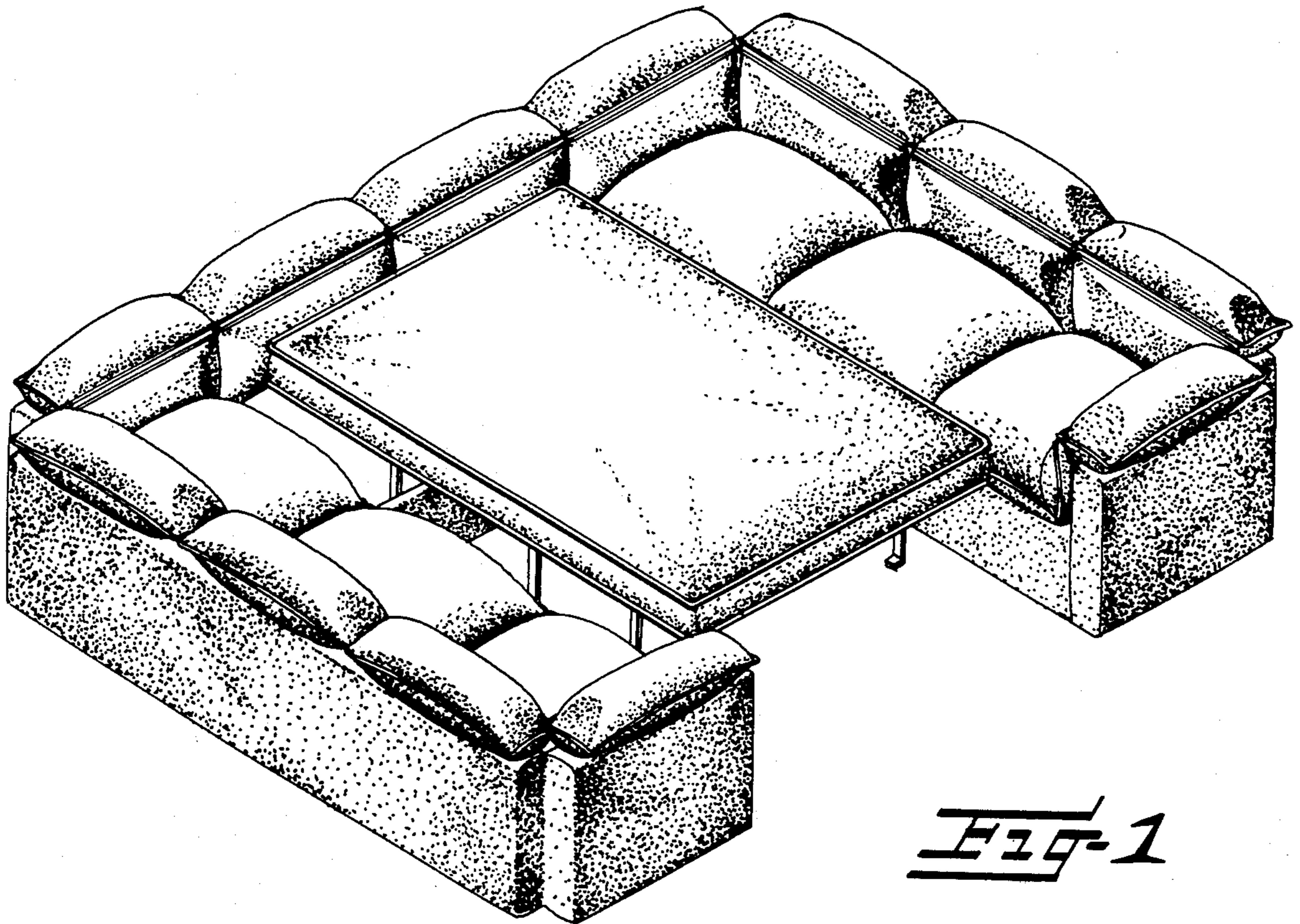
[57] **CLAIM**

The ornamental design for a sofa bed, as shown and described.

DESCRIPTION

FIG. 1 is a front perspective view of a sofa bed embodying my new design, shown in bed position;
 FIG. 2 is a front perspective view of a second embodiment of the sofa bed shown in FIG. 1;
 FIG. 3 is a front perspective view of the sofa bed of FIG. 1, shown in sofa position; and
 FIG. 4 is a front perspective view of the sofa bed of FIG. 2, shown in sofa position.
 The characteristic feature of my design resides in the opposing relationship of a pair of identical sofas straddling the bed component when the sofa bed is in the bed position.





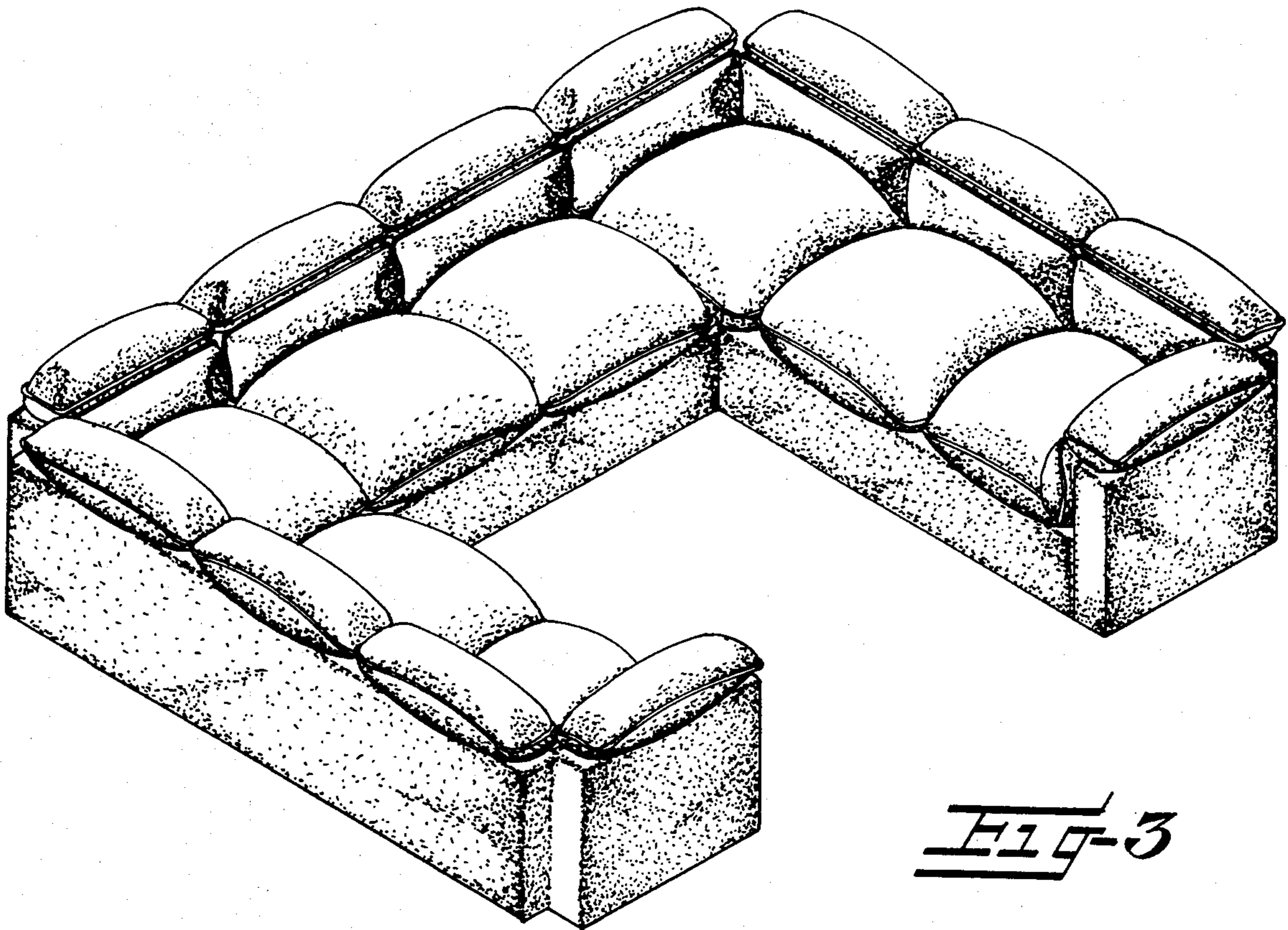


FIG-3

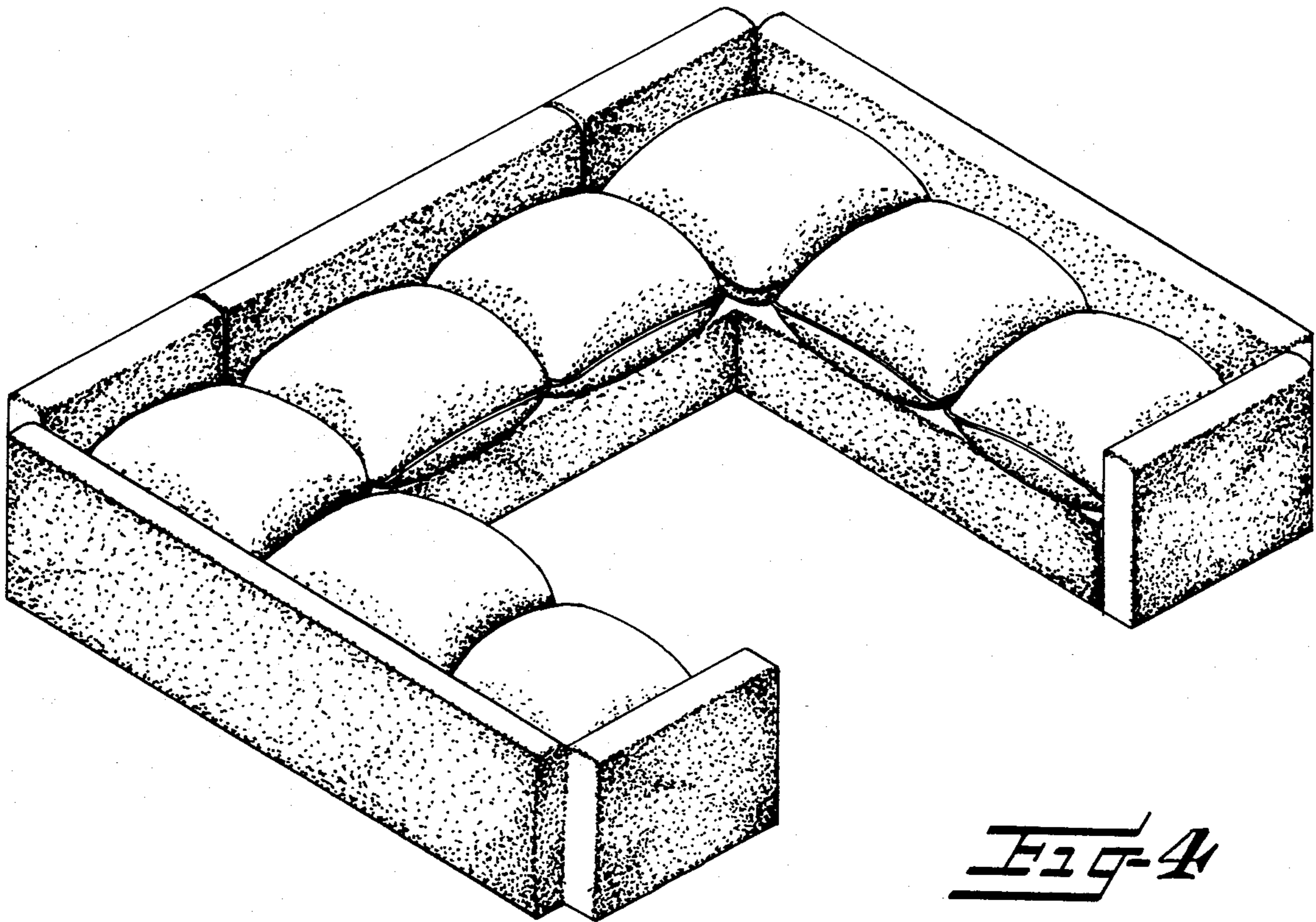


FIG-4