

[54] LAMP

2,416,802 3/1947 Rong 240/10.1 X
D. 178,073 6/1956 Leech D48/20 B

[76] Inventor: Joseph B. Baca, 739 Inca St.,
Denver, Colo. 80204

OTHER PUBLICATIONS

Premium Practice Apr. 1961, p. 114 Lamp.

Primary Examiner—Susan J. Lucas
Attorney, Agent, or Firm—Ralph F. Crandell

[**] Term: 14 Years

[21] Appl. No.: 491,566

[57] CLAIM

The ornamental design for a lamp, as shown.

[22] Filed: July 24, 1974

[51] Int. Cl. D26—05

[52] U.S. Cl. D48/20 R

DESCRIPTION

[58] Field of Search D48/20 R, 20 A, 2;
D29/28 R; D27/10, 12; D7/6, 11, 22, 23;
D35/3 A; D6/20, 55; 240/81 R, 10 R

FIG. 1 is a side elevational view of a lamp embodying
my new design.

FIG. 2 is a top plan view thereof.

FIG. 3 is a perspective view thereof.

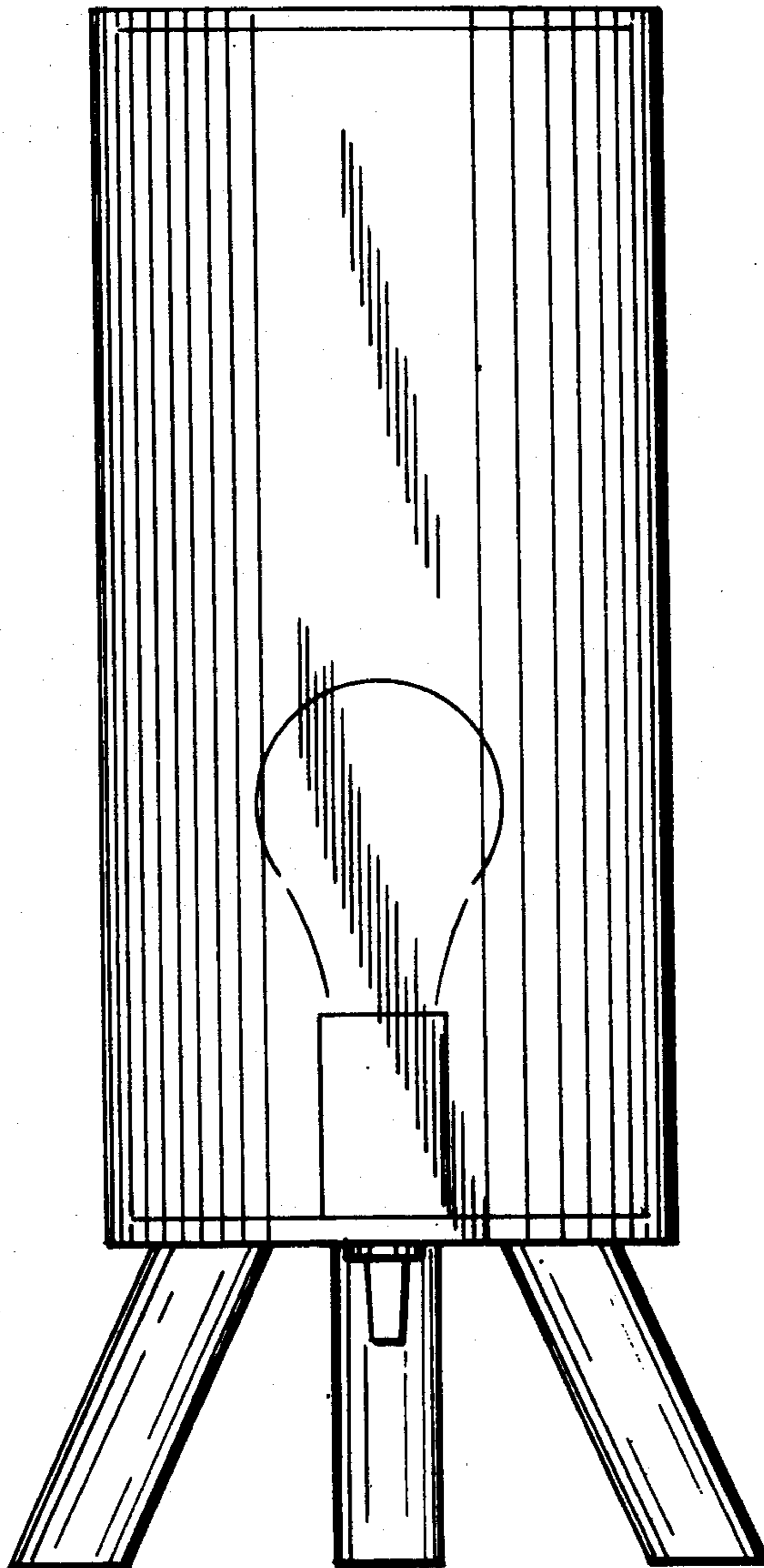
FIG. 4 is a front elevational view thereof, the rear ele-
vational view being the same.

FIG. 5 is a bottom plan view thereof.

[56] References Cited

U.S. PATENT DOCUMENTS

2,063,504 12/1936 Horwitt et al. 240/81 R X



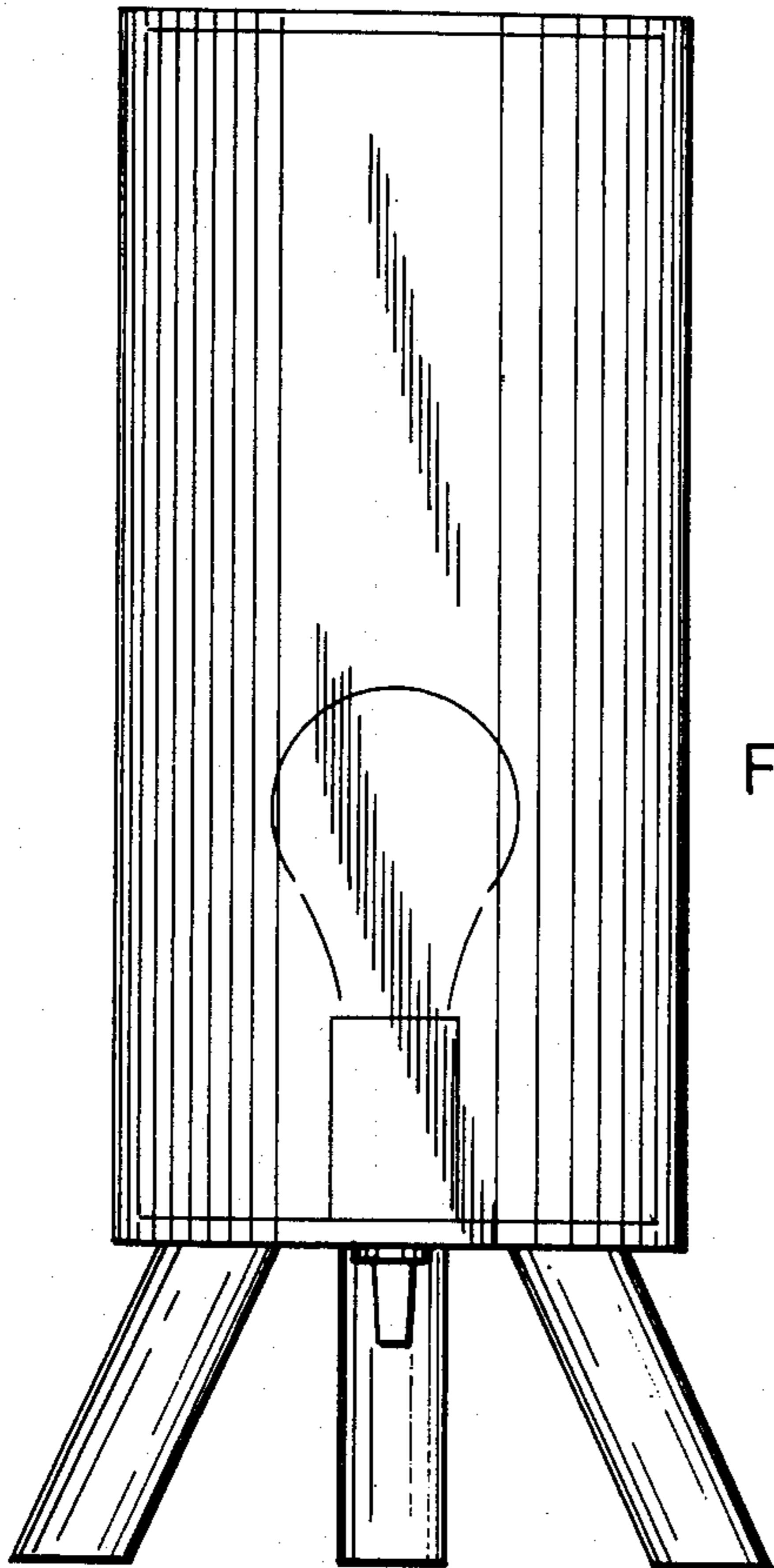


FIG. 1

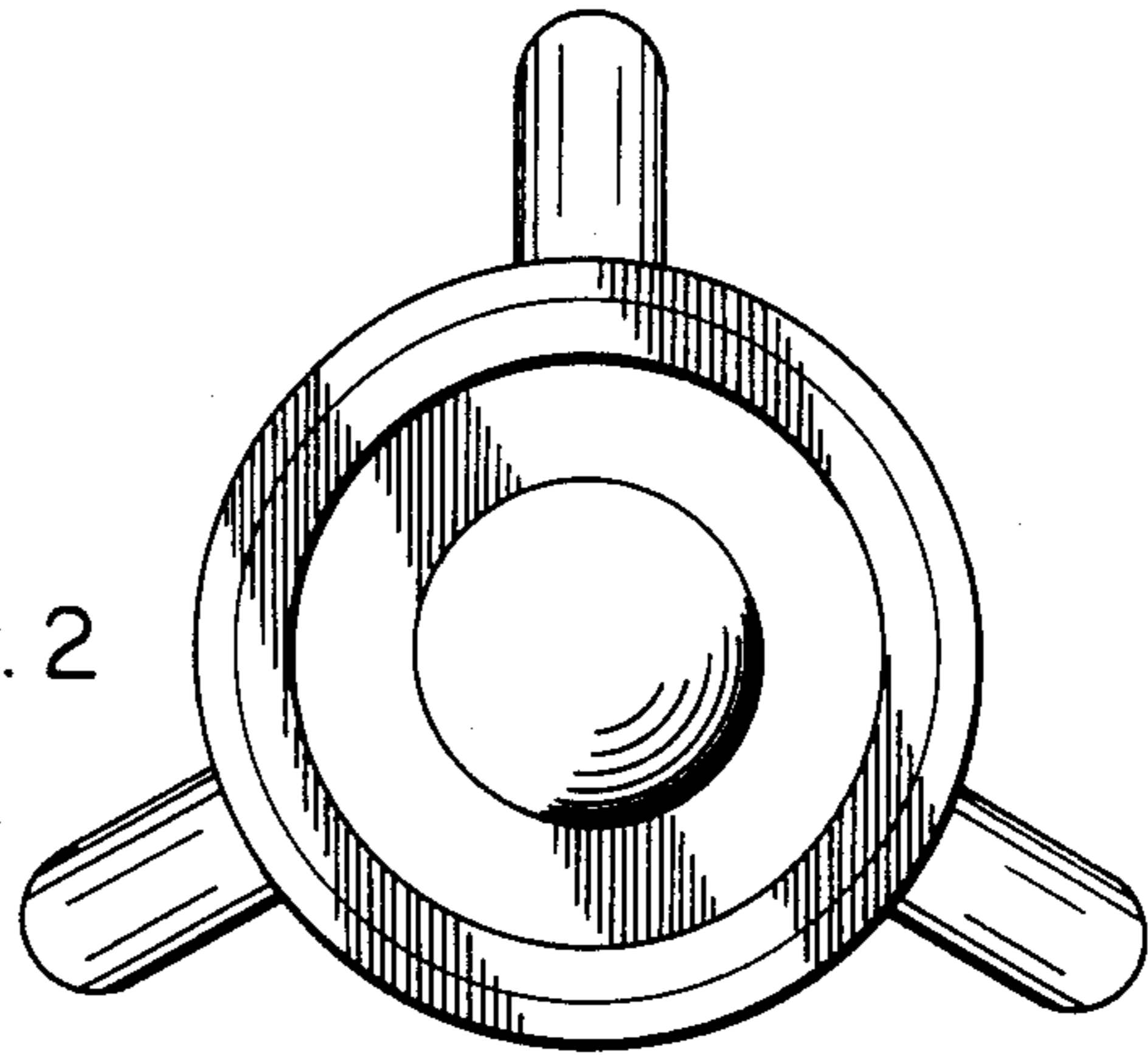


FIG. 2

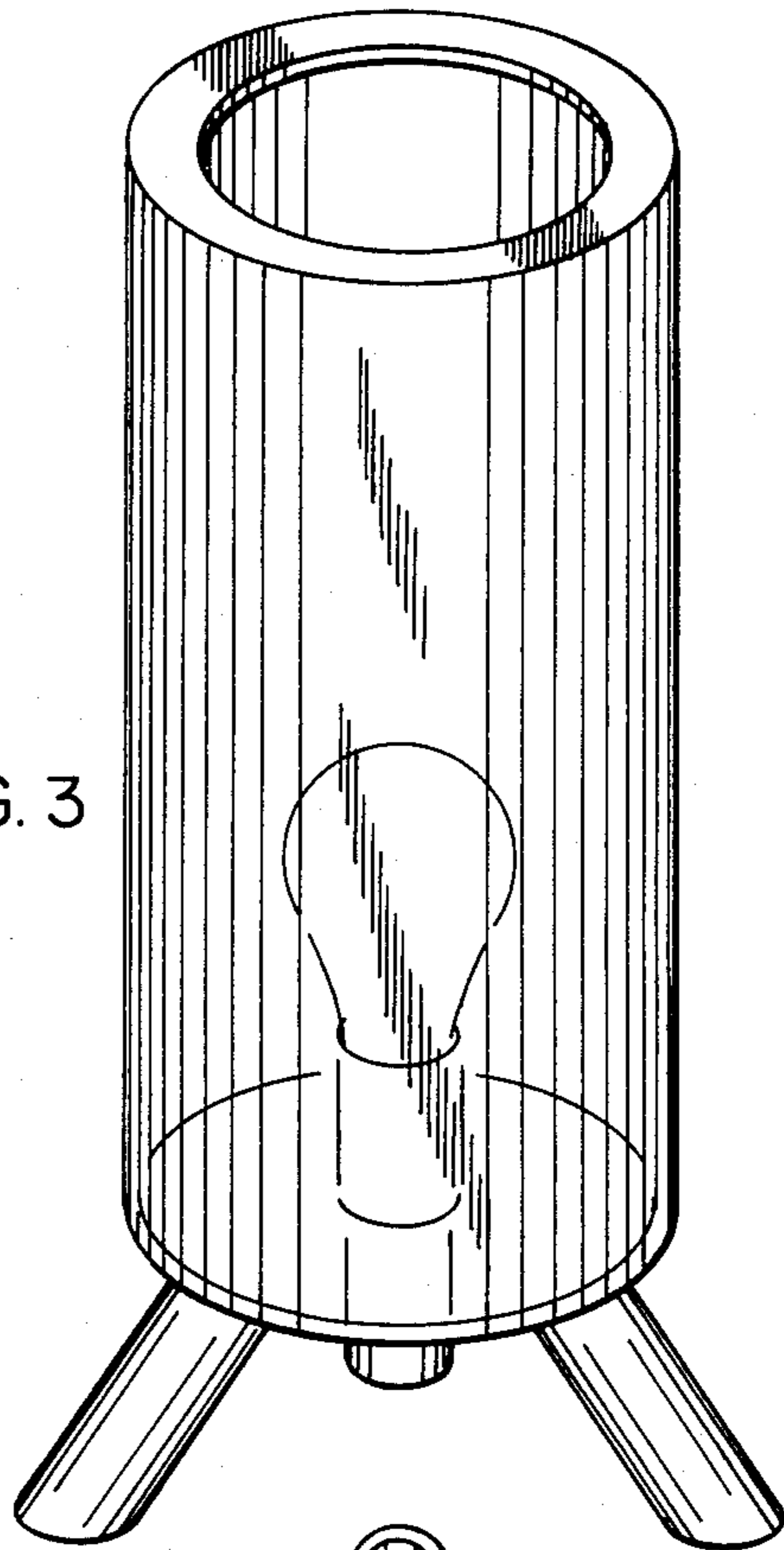


FIG. 3

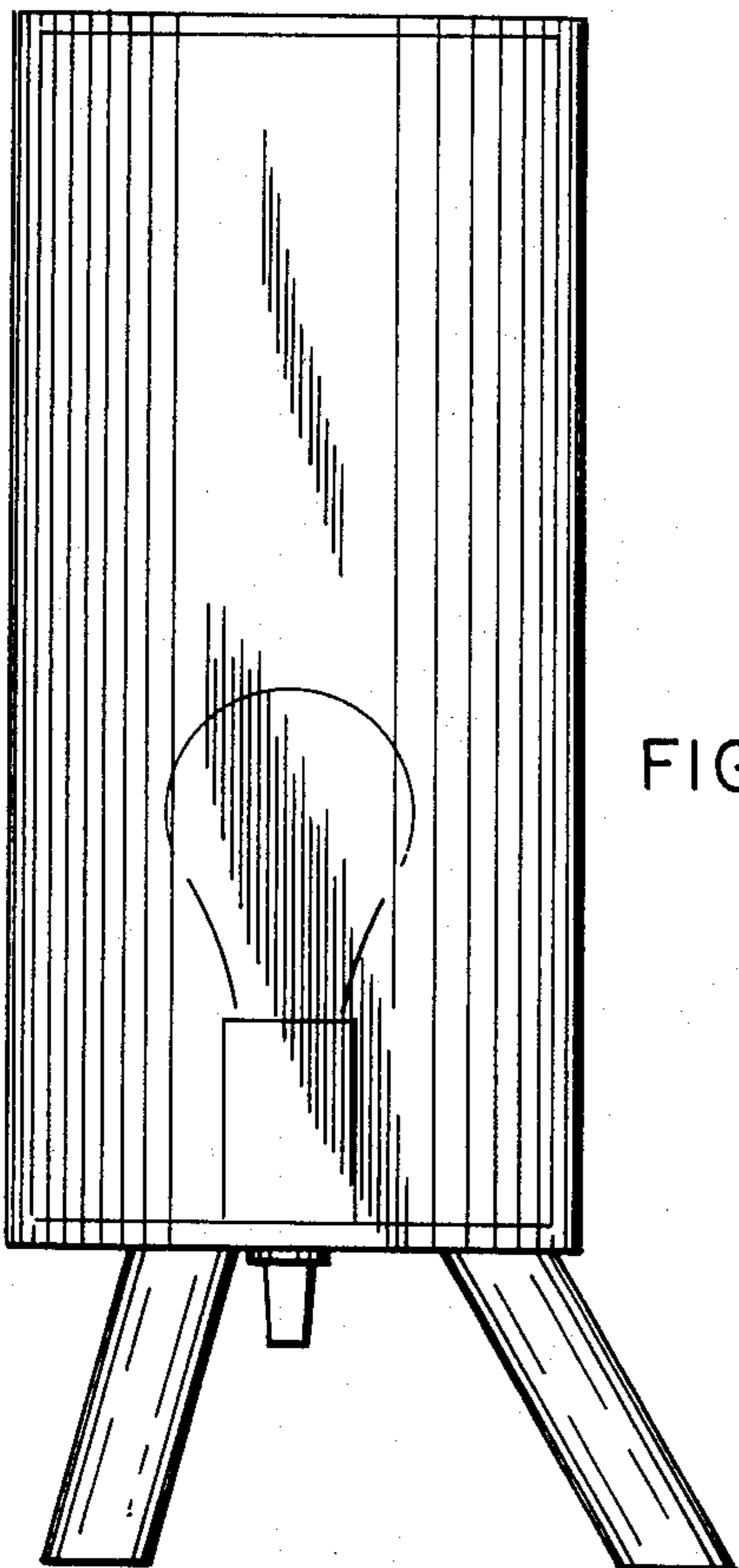


FIG. 4

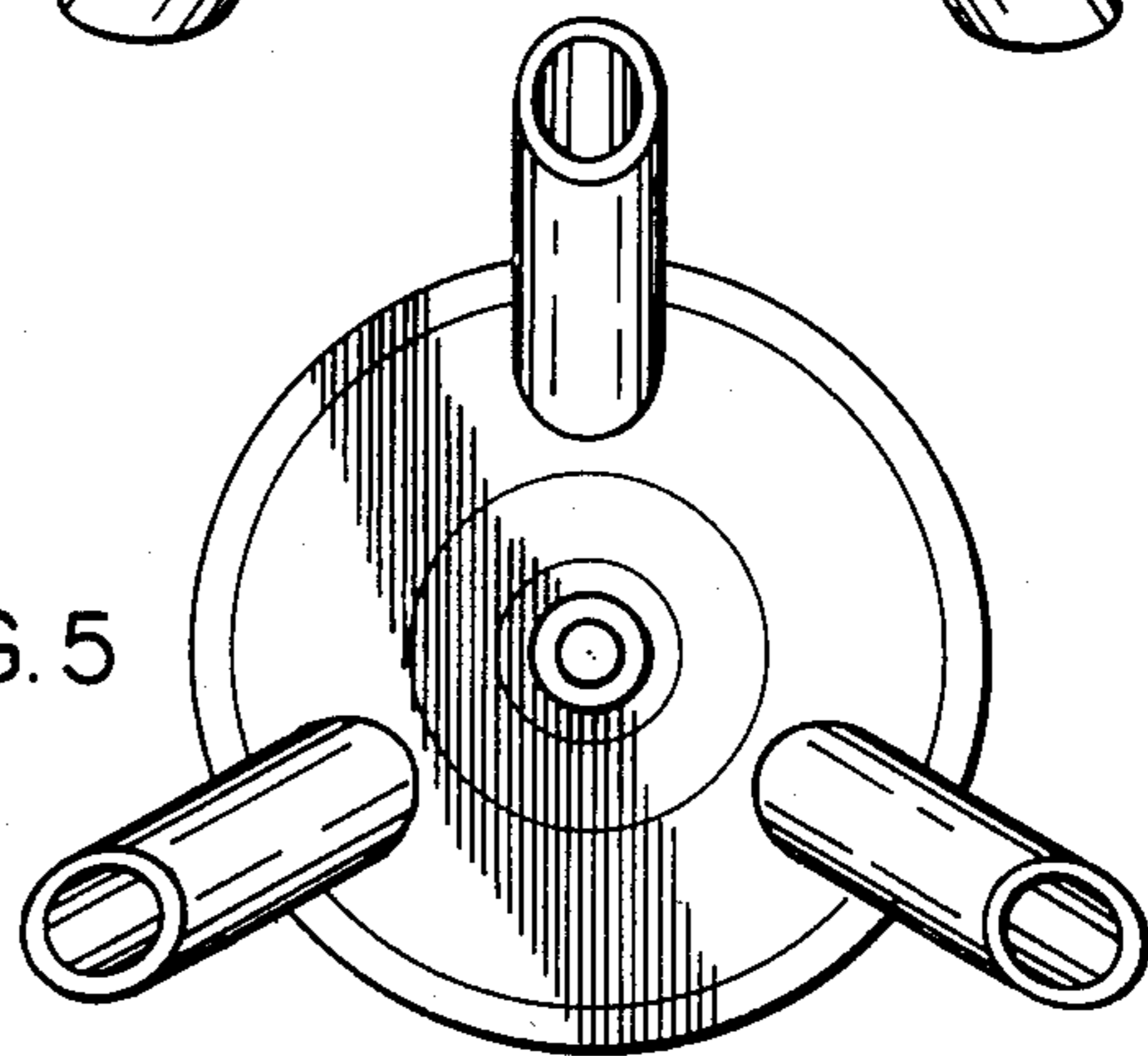


FIG. 5