

[54] ATTACHABLE PUTTING GUIDE FOR GOLF PUTTERS

[76] Inventor: David E. Lombardi, Rte. 2, Box 330, Glen Burnie, Md. 21061

[**] Term: 14 Years

[21] Appl. No.: 681,283

[22] Filed: Apr. 28, 1976

[51] Int. Cl. D21-02

[52] U.S. Cl. D34/5 CB

[58] Field of Search D34/5 CB; 273/186 A, 273/194 B, 194 A, 171, 172

[56] References Cited

U.S. PATENT DOCUMENTS

3,021,141 2/1962 Polsky et al. 273/186 A
3,912,277 10/1975 Pelz 273/186 A

Primary Examiner—Melvin B. Feifer
Attorney, Agent, or Firm—Rupert J. Brady

[57] CLAIM

The ornamental design for an attachable putting guide for golf putters, substantially as shown.

DESCRIPTION

FIG. 1 is a perspective view of an attachable putting guide for golf putters showing my new design, the view showing the top, rear and one side thereof; FIG. 2 is a side elevational view showing the opposite side thereof; FIG. 3 is a front elevational view thereof; and FIG. 4 is a bottom plan view thereof.

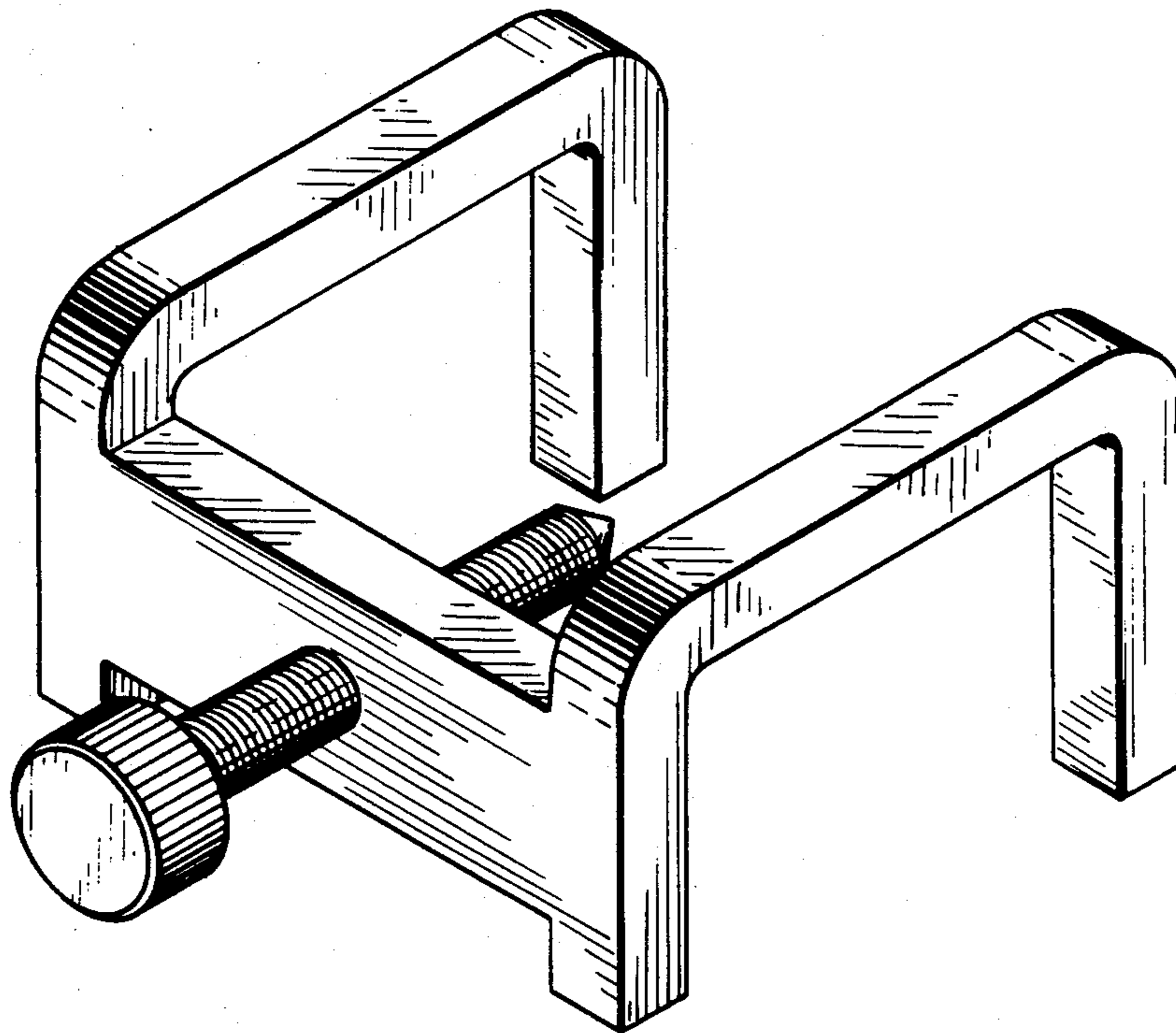


FIG. 1

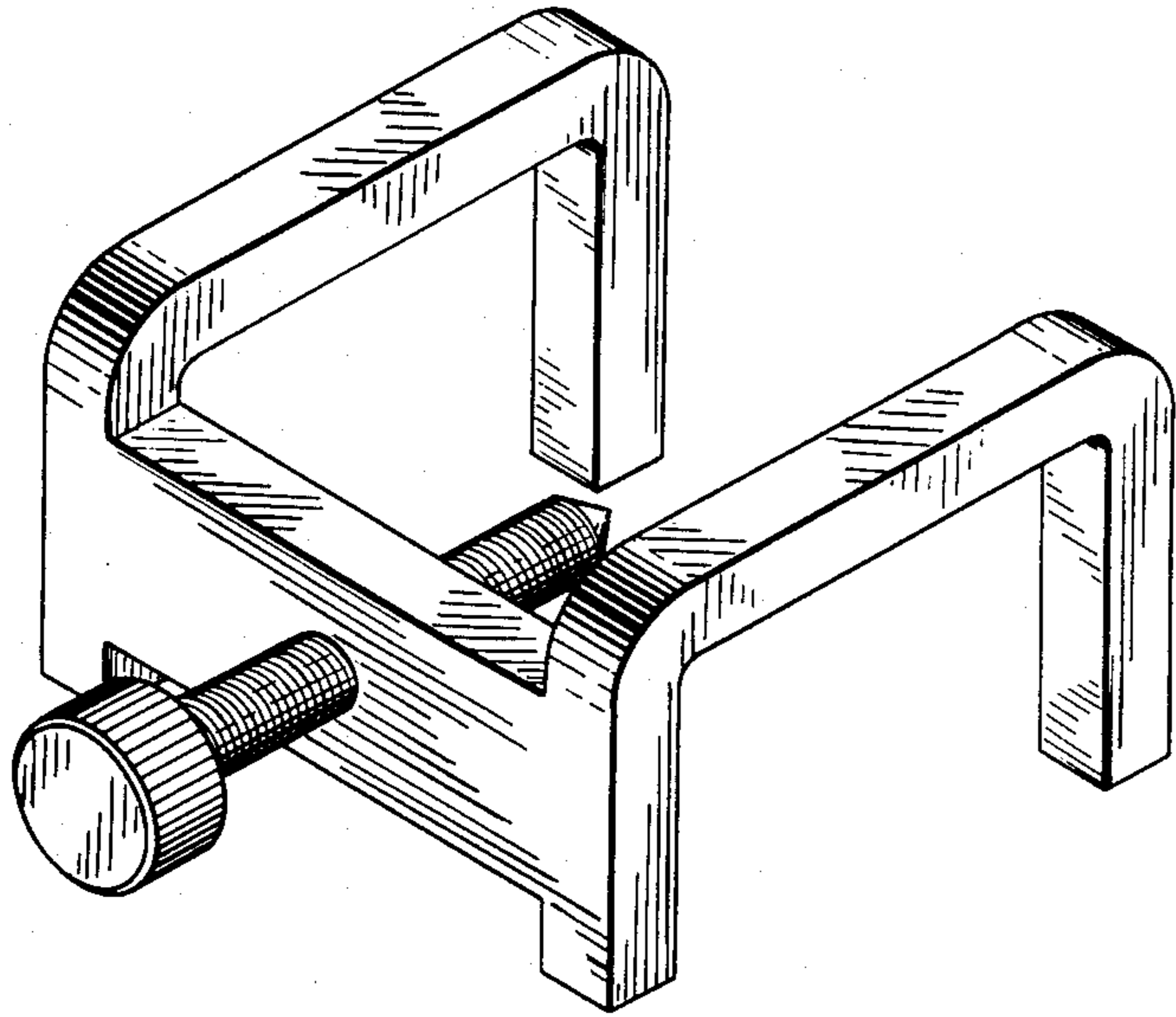


FIG. 2

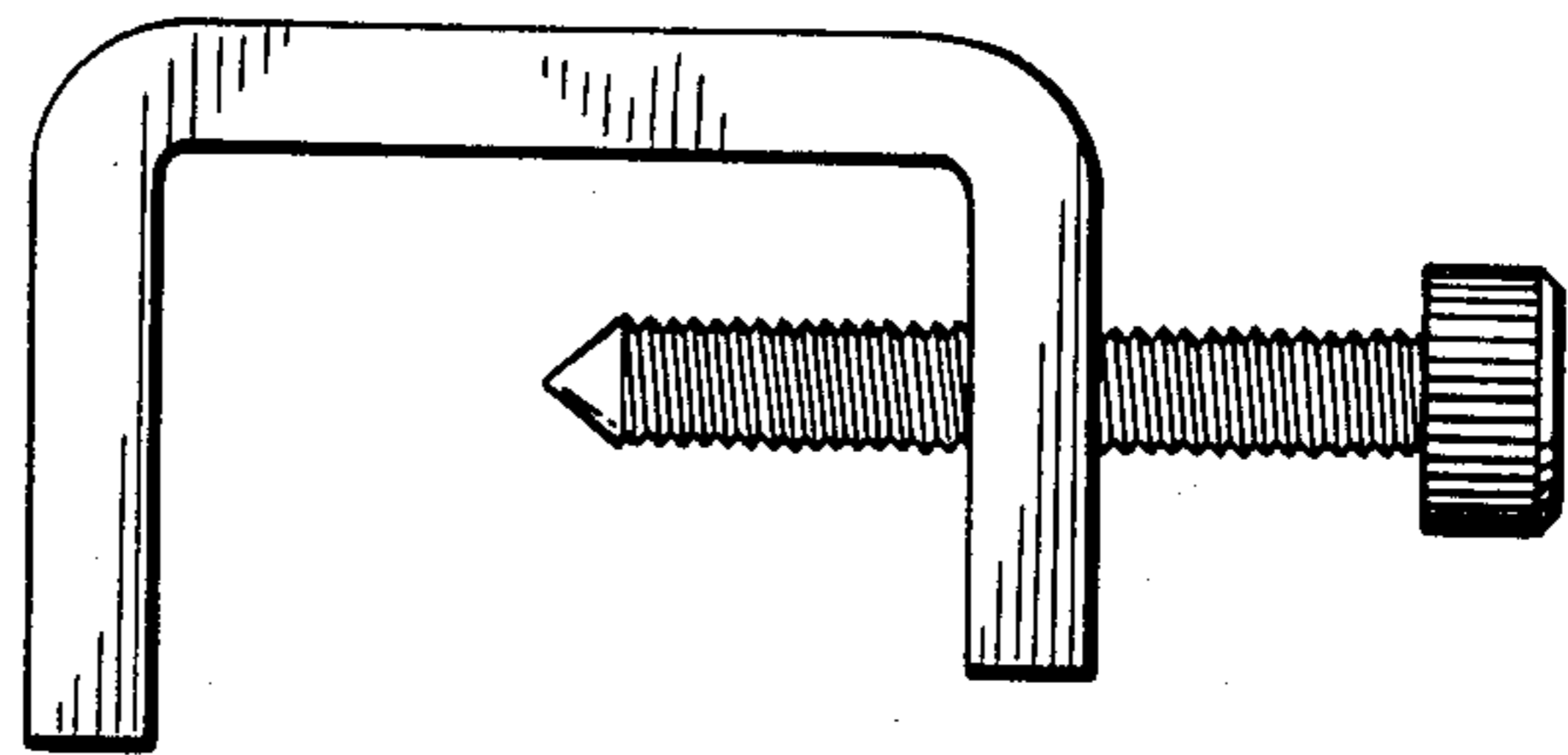


FIG. 3

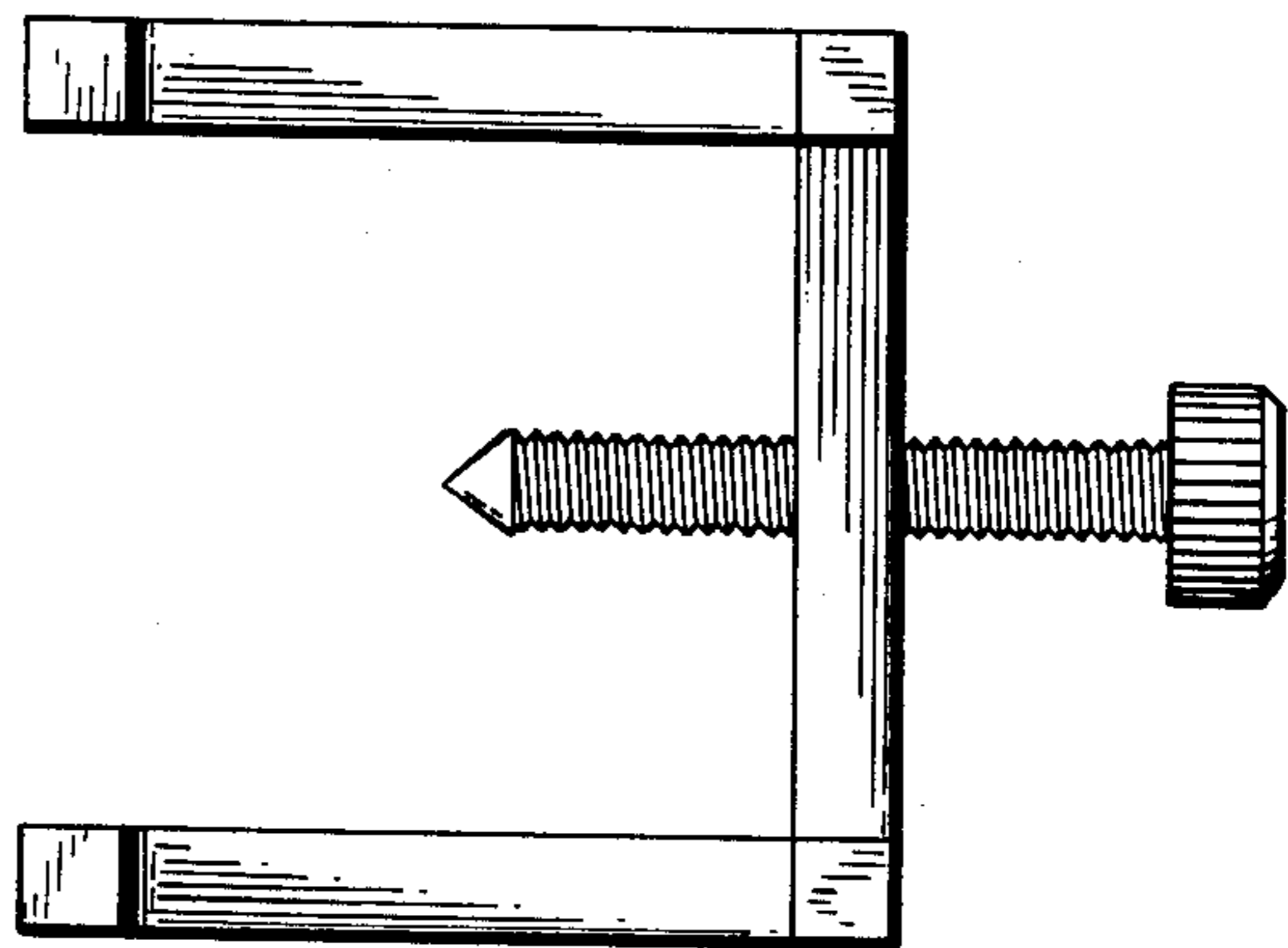
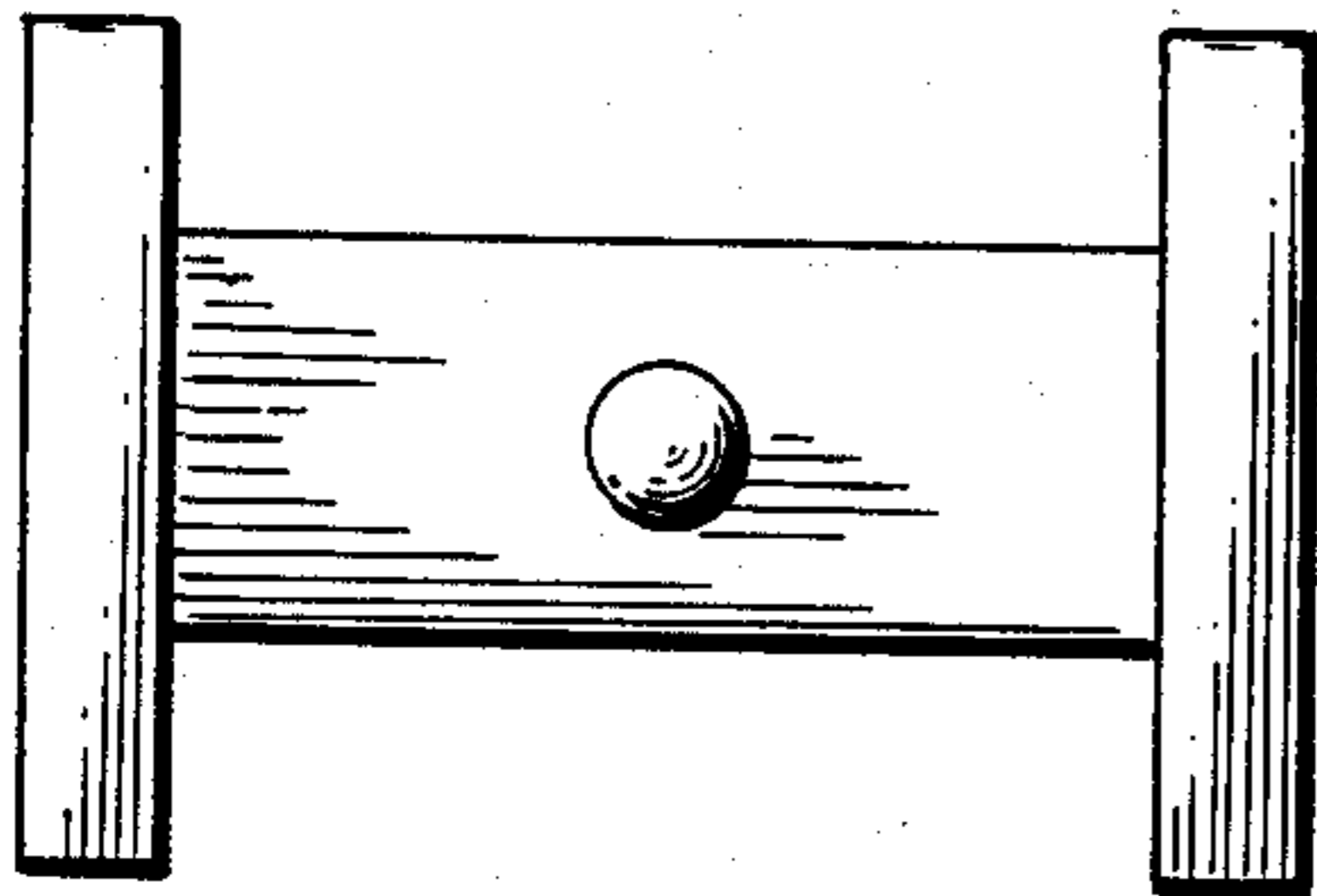


FIG. 4