

[54] LIVING HINGE BATTERY COVER FOR ELECTRONIC DEVICE

D. 201,440 6/1965 Harrison D26/6

[75] Inventor: Donald Leslie William Brooks, Ashtead, England

FOREIGN PATENT DOCUMENTS

1,208,847 9/1959 France 429/98
164,235 6/1921 United Kingdom 429/97

[73] Assignee: Ronson Corporation, Woodbridge, N.J.

Primary Examiner—Susan J. Lucas
Attorney, Agent, or Firm—David Toren

[**] Term: 14 Years

[57] CLAIM

[21] Appl. No.: 670,723

The ornamental design for a living hinge battery cover for electronic device, as shown and described.

[22] Filed: Mar. 26, 1976

DESCRIPTION

[51] Int. Cl. D13—02; D27—05

[52] U.S. Cl. D13/10

[58] Field of Search D26/4, 6; 429/97, 98; D27/36, 39; 219/260-269

FIG. 1 is a perspective view of my design for a living hinge battery cover for electronic lighter, the fragmentary lighter being shown in broken lines for illustrative purposes only;

FIG. 2 is a perspective view removed from a lighter casing;

FIG. 3 is a side view corresponding to FIG. 2;

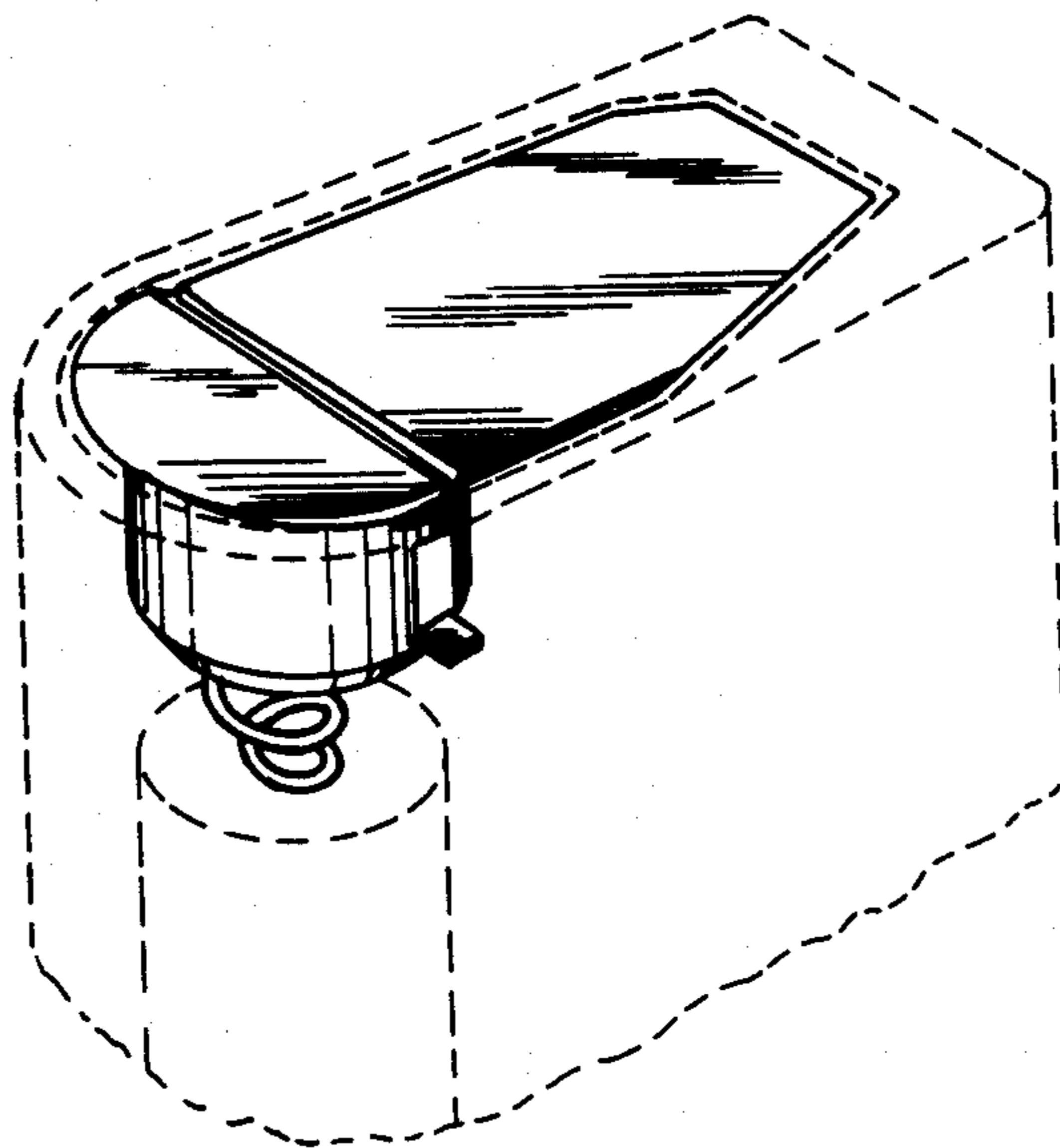
FIG. 4 is a underneath plane view corresponding to FIG. 2;

FIG. 5 is a rear view of my new design.

[56] References Cited

U.S. PATENT DOCUMENTS

3,007,027 10/1961 Hall 219/262 X
3,343,996 9/1967 Micksch et al. D26/6 UX
3,393,293 7/1968 Jacobson 219/267



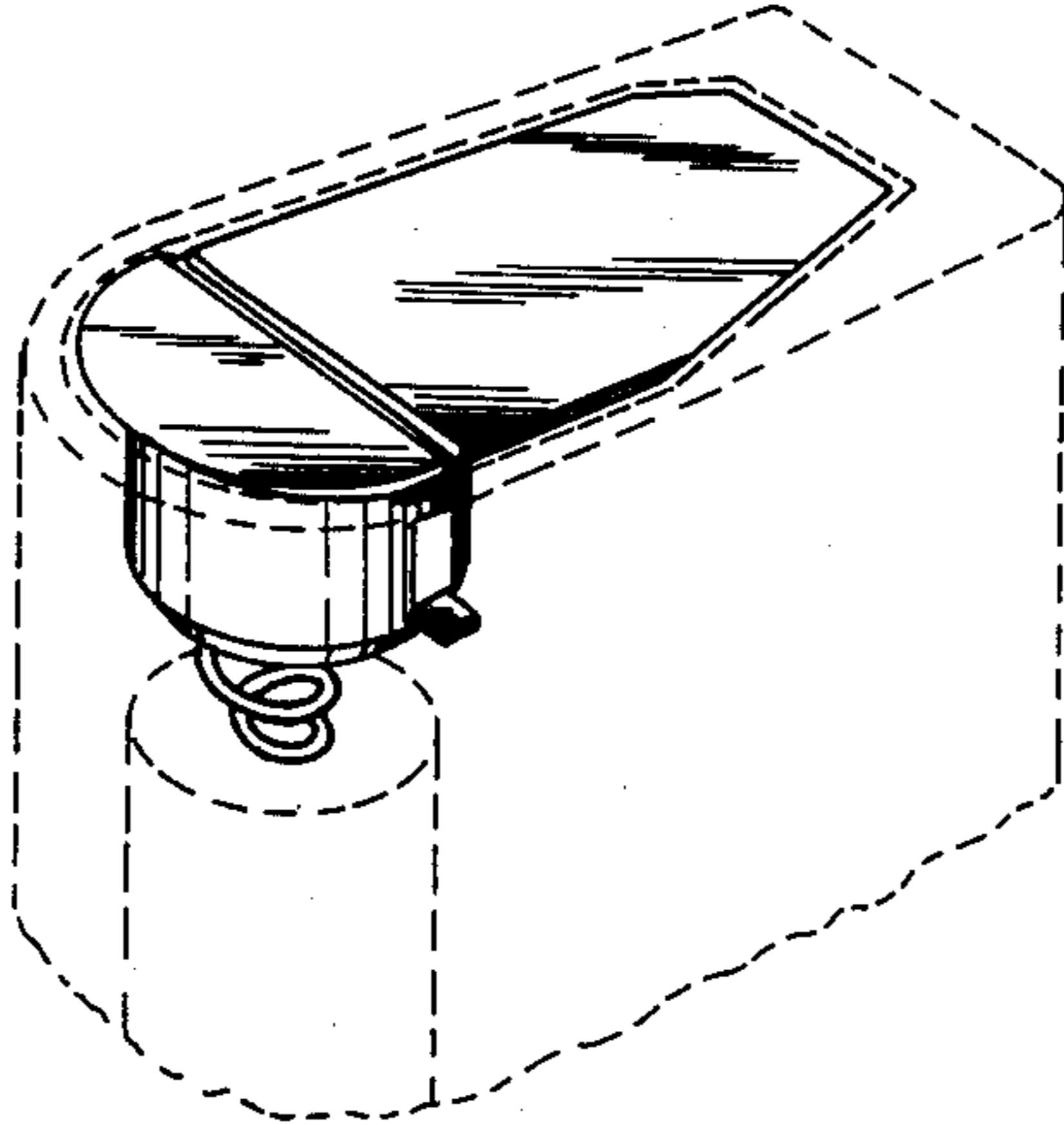


FIG. 1

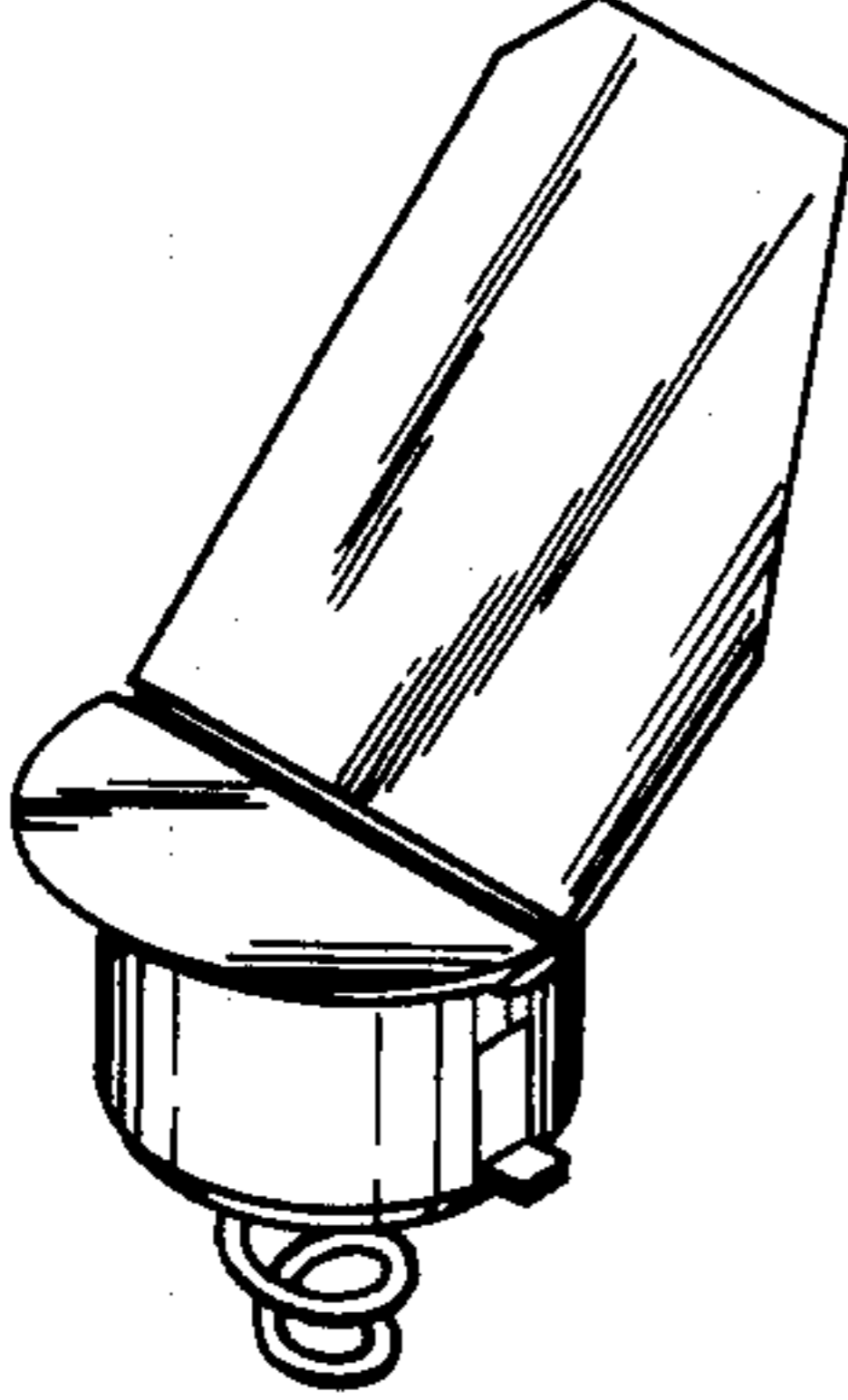


FIG. 2

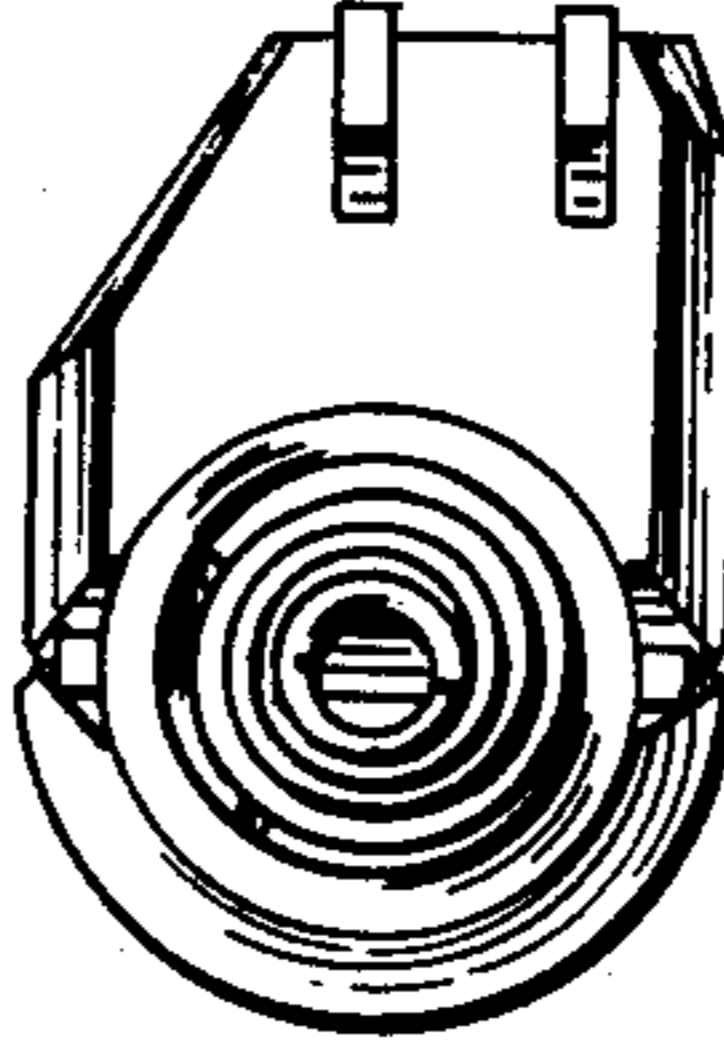


FIG. 4

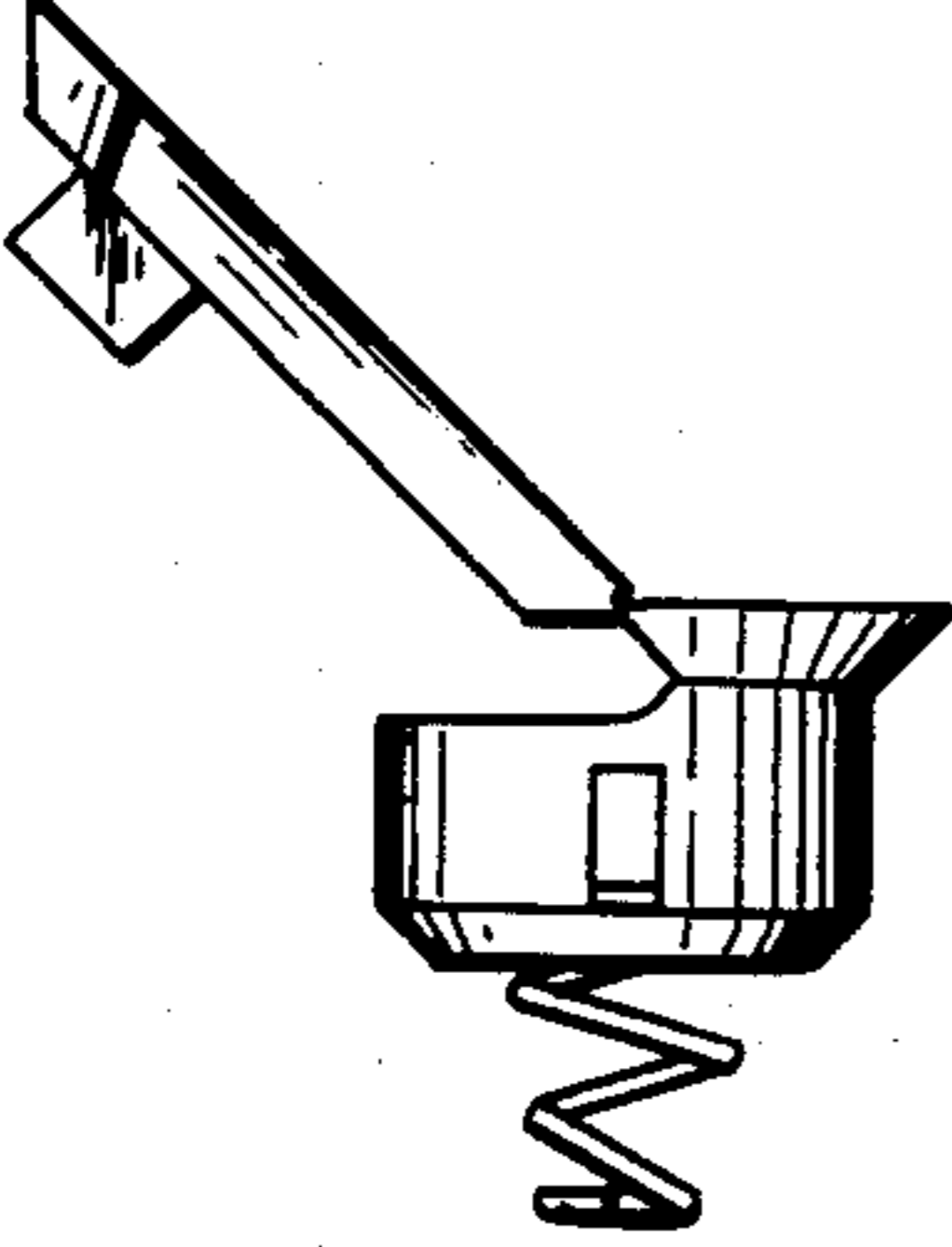


FIG. 3

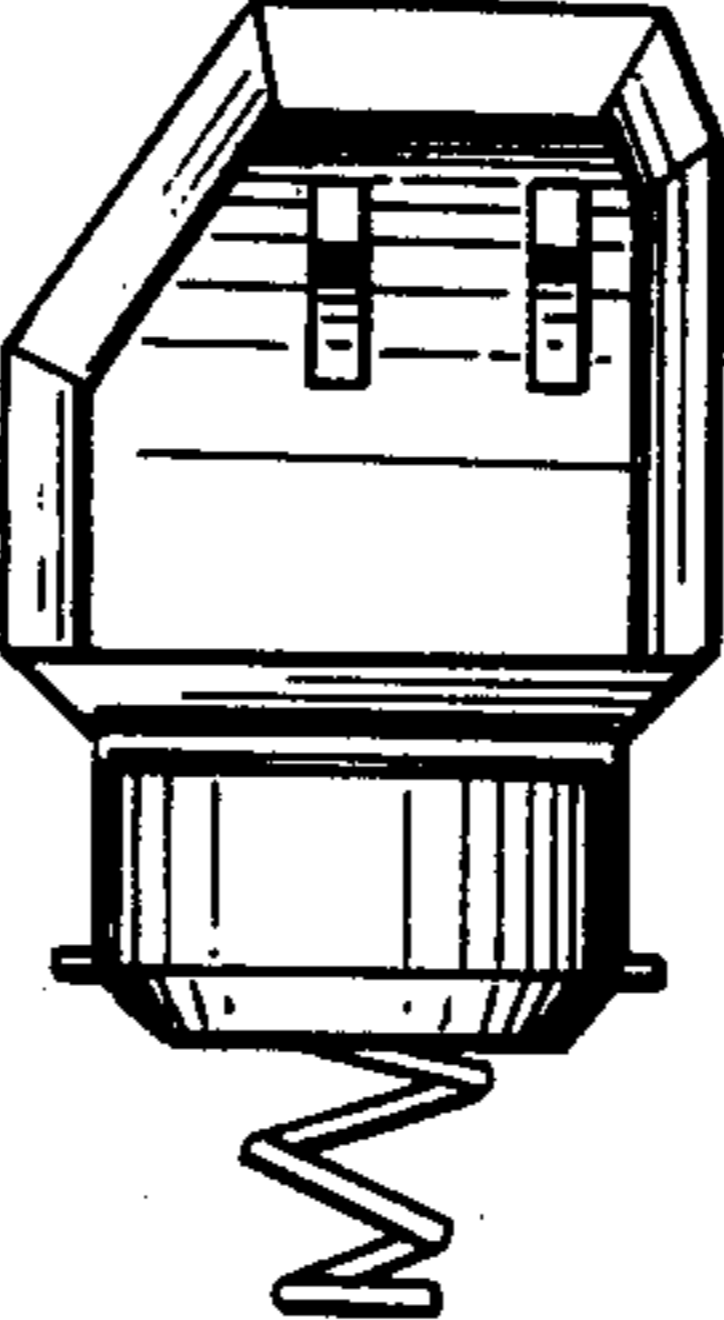


FIG. 5

UNITED STATES PATENT OFFICE
CERTIFICATE OF CORRECTION

Patent No. Des. 244,864 Dated June 28, 1977

Inventor(s) Donald Leslie William Brooks

It is certified that error appears in the above-identified patent and that said Letters Patent are hereby corrected as shown below:

In the heading of the patent [30] should read as follows:

--[30] Foreign Application Priority Data

Sept. 30, 1975 Great Britain.....972,729--.

Signed and Sealed this

Twenty-second Day of November 1977

[SEAL]

Attest:

RUTH C. MASON
Attesting Officer

LUTRELLE F. PARKER
Acting Commissioner of Patents and Trademarks