

[54] HOUSING FOR AN ELECTRICAL PLUG

[75] Inventor: Frank Carmine Jacquette, Trumbull, Conn.

[73] Assignee: Harvey Hubbell, Incorporated, Orange, Conn.

[**] Term: 14 Years

[21] Appl. No.: 649,914

[22] Filed: Jan. 16, 1976

[51] Int. Cl. D13-03

[52] U.S. Cl. D13/24

[58] Field of Search D26/1 R, 1 A, 1 B, 1 C; 339/59 R, 59 M, 107, 206 R, 206 P, 208, 186 R, 186 M, 210

[56] References Cited

U.S. PATENT DOCUMENTS

3,332,053	7/1967	Busler	339/210
3,569,914	9/1971	Taylor et al.	339/107
3,680,035	7/1972	Teagno et al.	339/210

D. 127,512	5/1941	Stevens	D26/1 B
D. 172,221	5/1954	Cohen	D26/1 B
D. 198,529	6/1964	Lewis	D26/1 B

FOREIGN PATENT DOCUMENTS

1,394,871	3/1965	France	339/208
1,448,935	7/1966	France	339/107
676,144	7/1952	United Kingdom	339/107

Primary Examiner—Susan J. Lucas
Attorney, Agent, or Firm—Jerry M. Presson

[57] CLAIM

The ornamental design for a housing for an electrical plug, substantially as shown and described.

DESCRIPTION

FIG. 1 is a perspective view of a housing for an electrical plug showing my new design.

FIG. 2 is a top plan view thereof.

FIG. 3 is a side elevational view thereof, the opposite side being a mirror image.

FIG. 4 is a bottom plan view thereof.

FIG. 5 is a rear elevational view thereof.

FIG. 6 is an inverted front elevational view thereof.

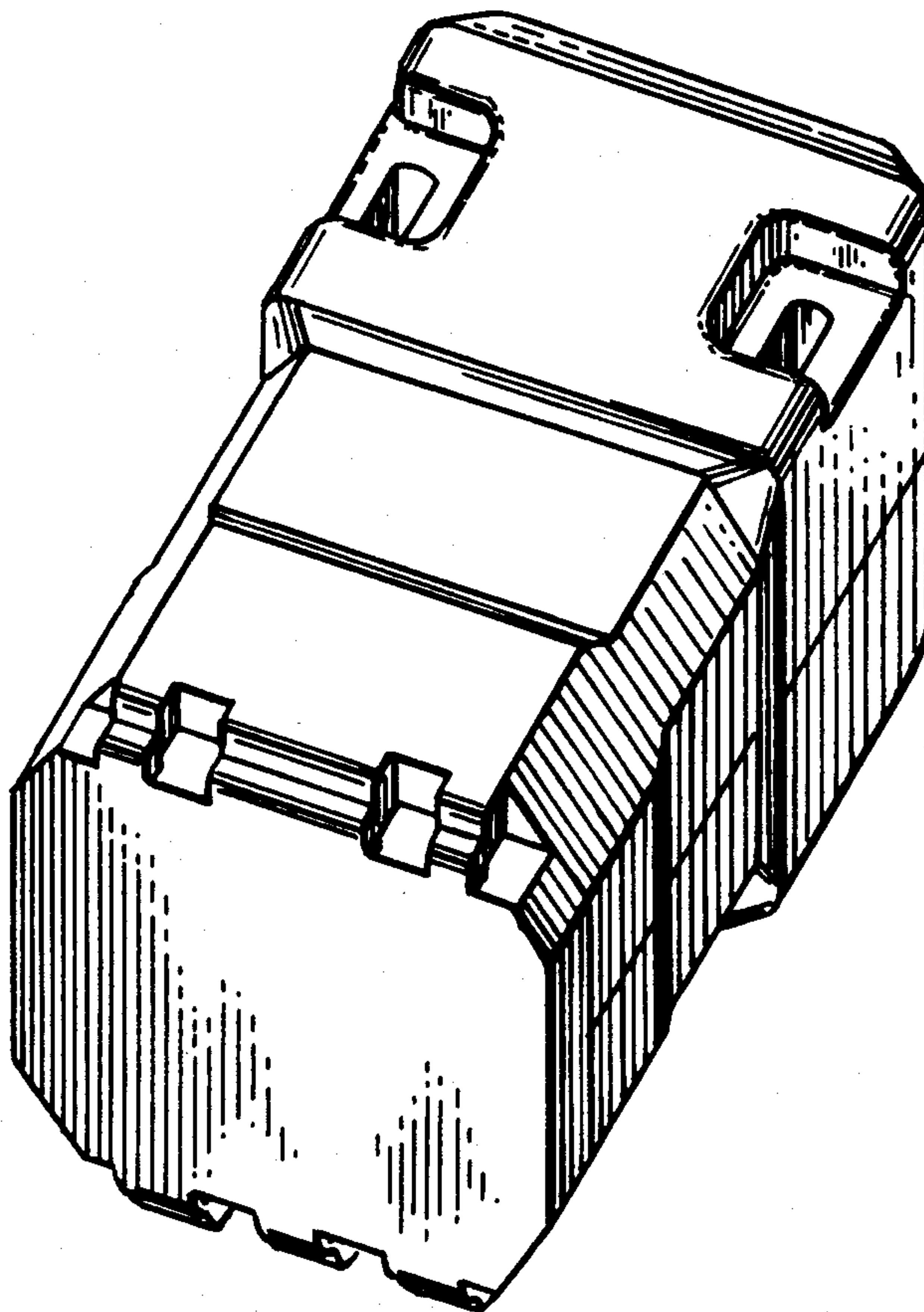


FIG. 1

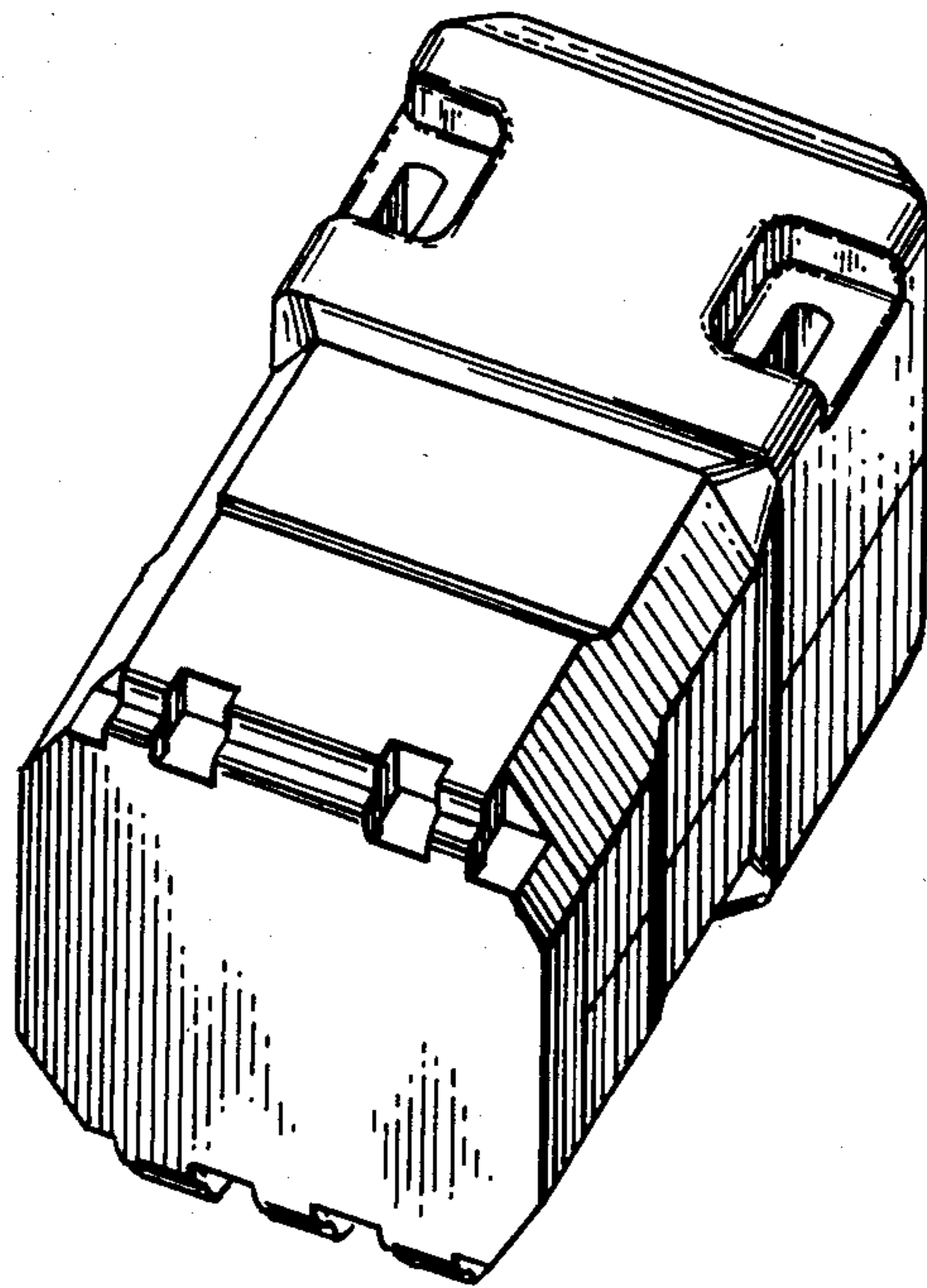


FIG. 2

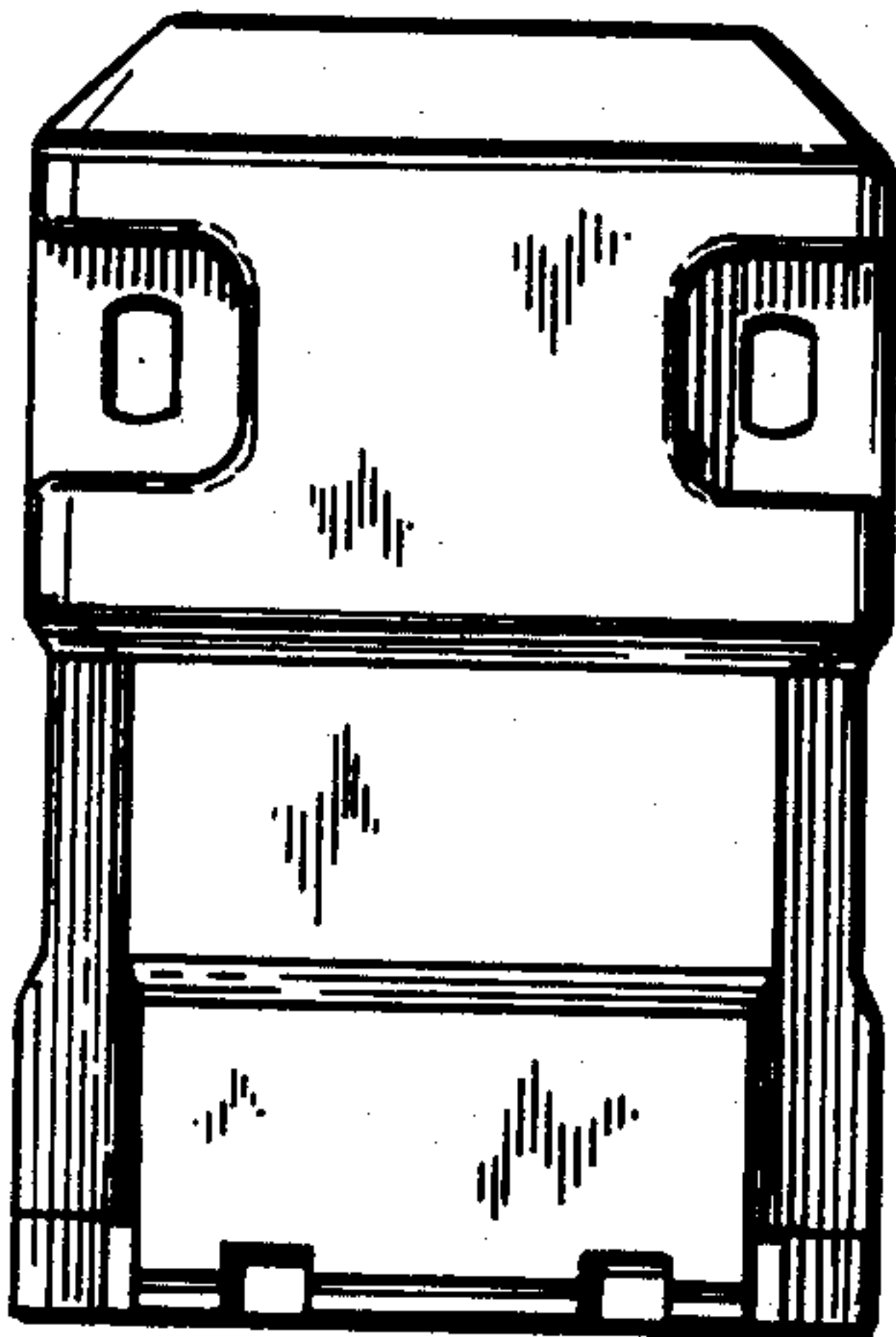


FIG. 3

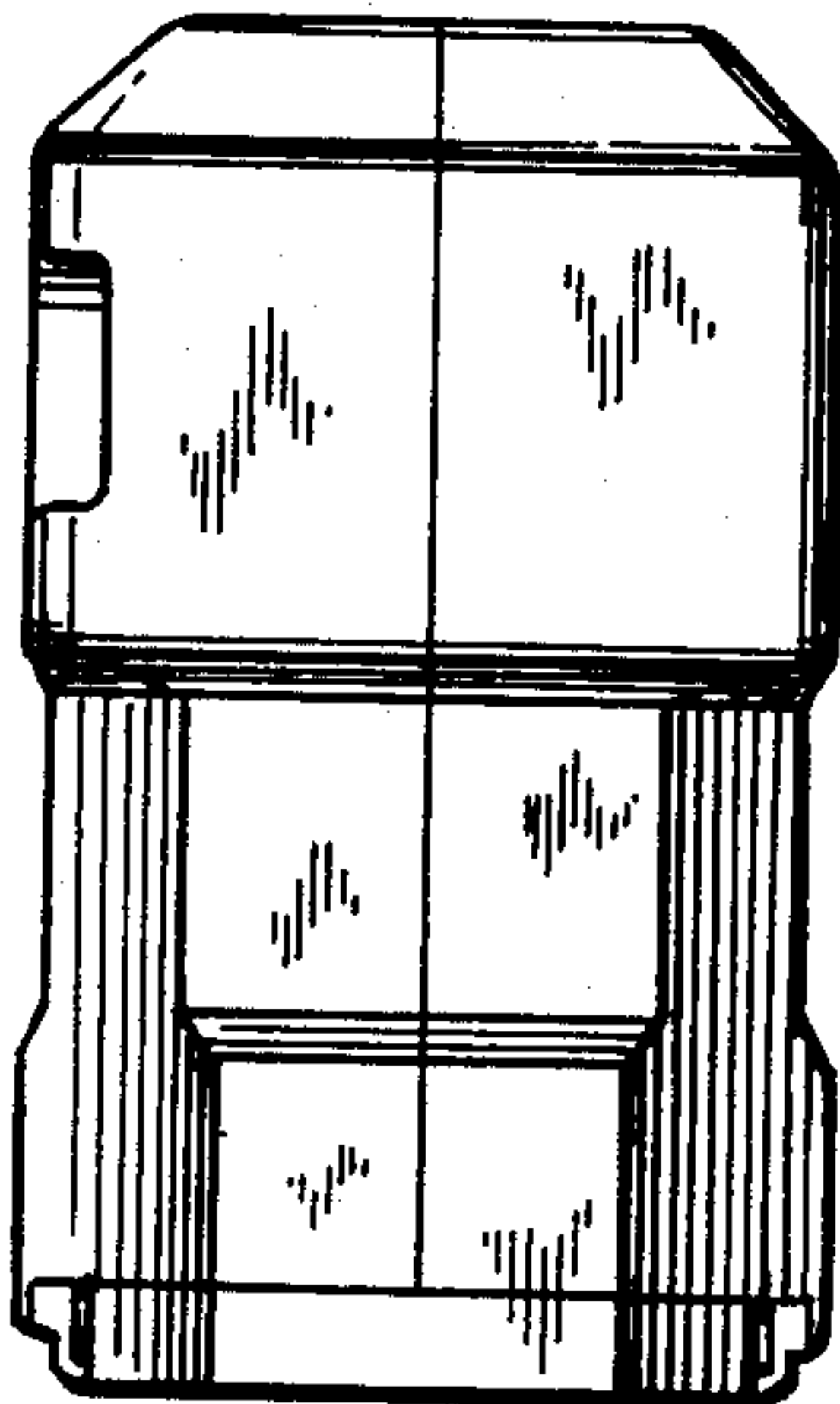


FIG. 4

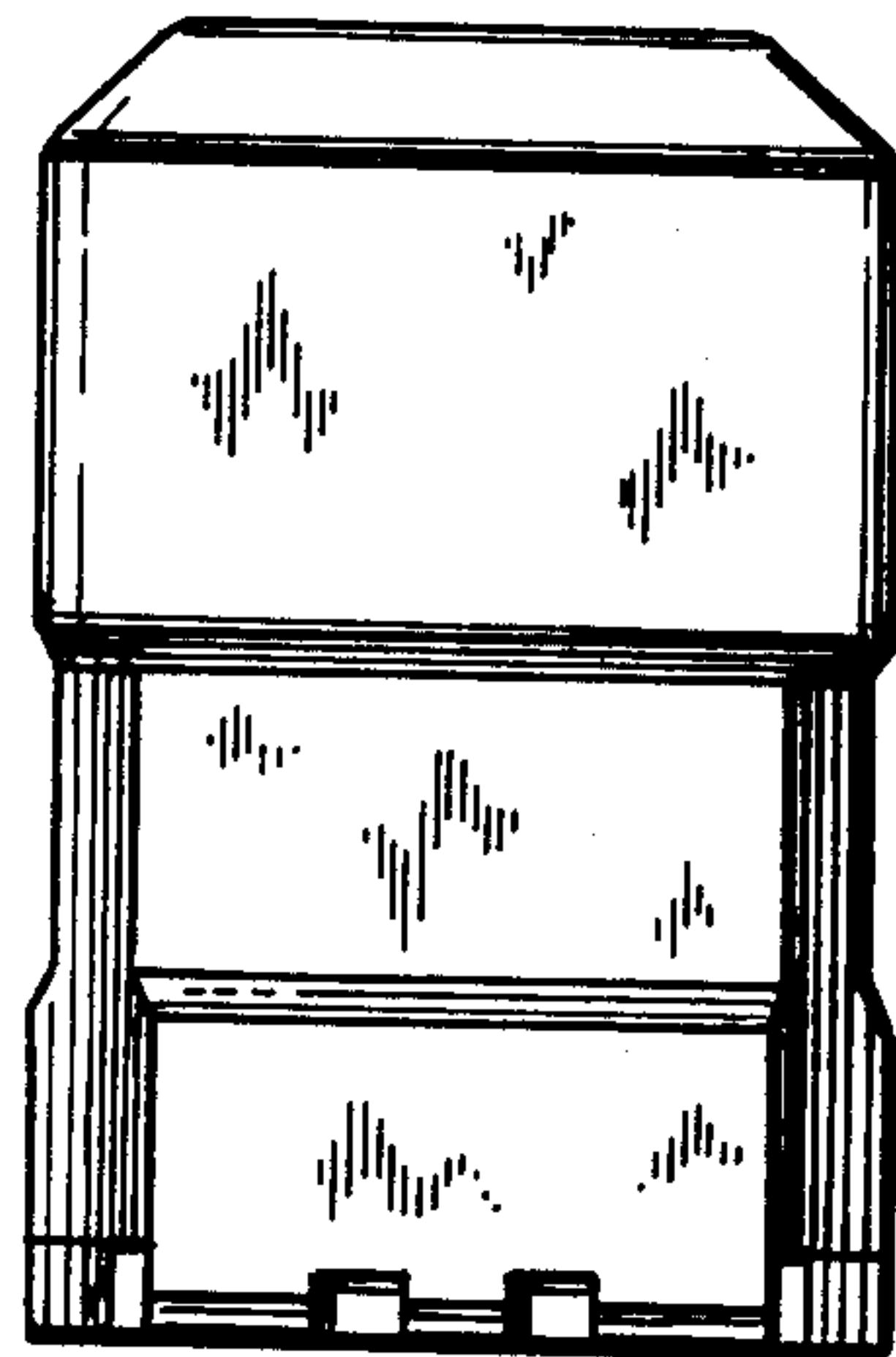


FIG. 5

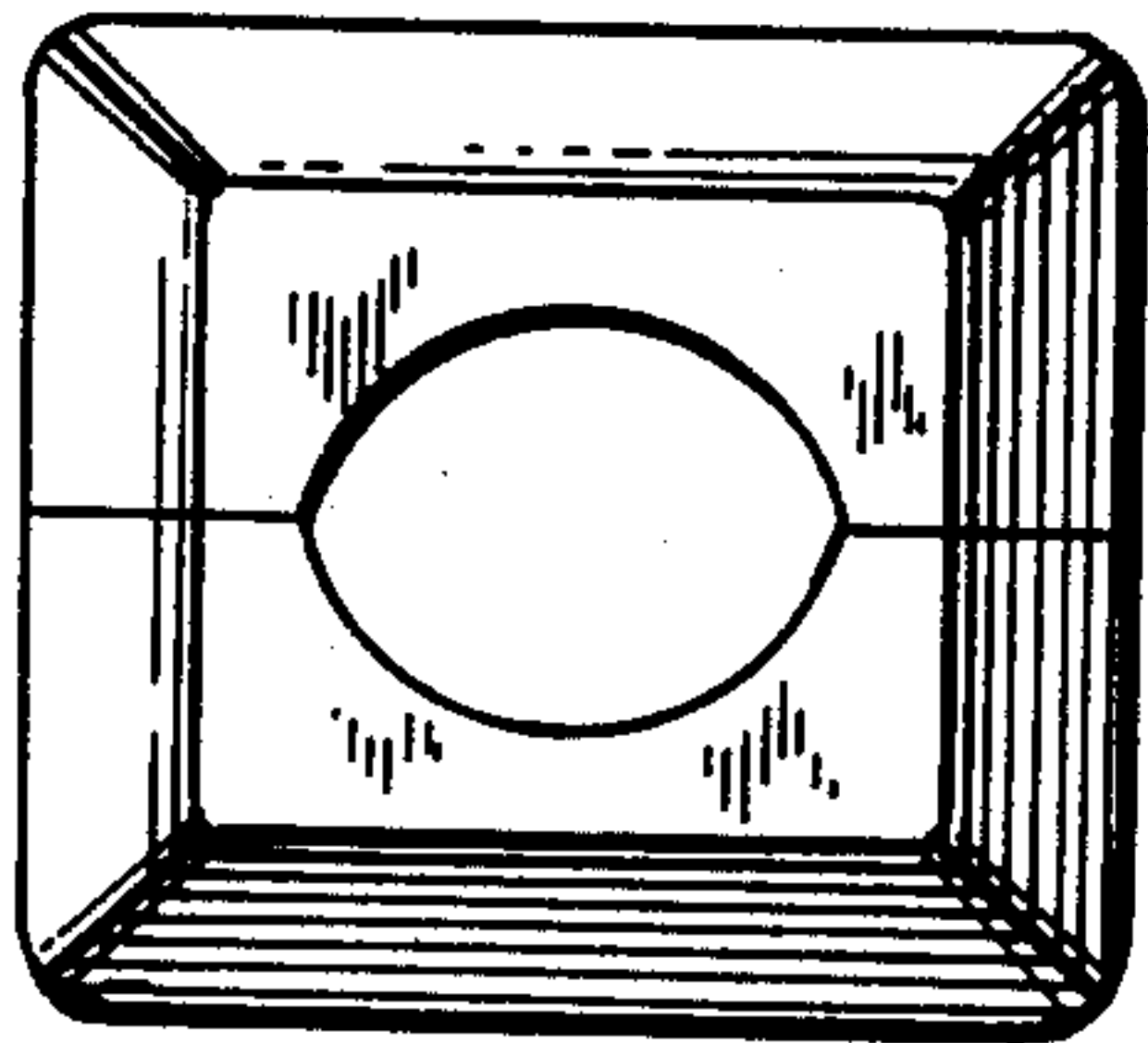


FIG. 6

