

[54] HOUSING FOR AIR CIRCULATING AND TREATING APPLIANCE

[75] Inventors: David K. Haufe, Hinsdale; Gordon Guth, Evanston, both of Ill.

[73] Assignee: Sunbeam Corporation, Chicago, Ill.

[**] Term: 14 Years

[21] Appl. No.: 588,869

[22] Filed: June 20, 1975

[51] Int. Cl. D23-04

[52] U.S. Cl. D23/141

[58] Field of Search D23/151, 139, 160, 141; 98/98 AC; 21/74 R, 74 A, 121, 122, 126

[56] References Cited

U.S. PATENT DOCUMENTS

2,936,693 5/1960 Sweedyk D23/141 X

3,072,978 1/1963 Minto 21/74 R
D. 180,376 5/1957 Sanders D23/141
D. 185,700 7/1959 Egan D23/141

Primary Examiner—Wallace R. Burke
Assistant Examiner—James M. Gandy
Attorney, Agent, or Firm—George R. Clark

[57] CLAIM

The ornamental design for a housing for an air circulating and treating appliance, as shown.

DESCRIPTION

FIG. 1 is a front perspective view of a housing for an air circulating and treating appliance showing our new design;

FIG. 2 is a front elevational view thereof;

FIG. 3 is a left side elevational view thereof;

FIG. 4 is a bottom plan view thereof; and

FIG. 5 is a sectional view taken along line 5—5 in FIG. 2.

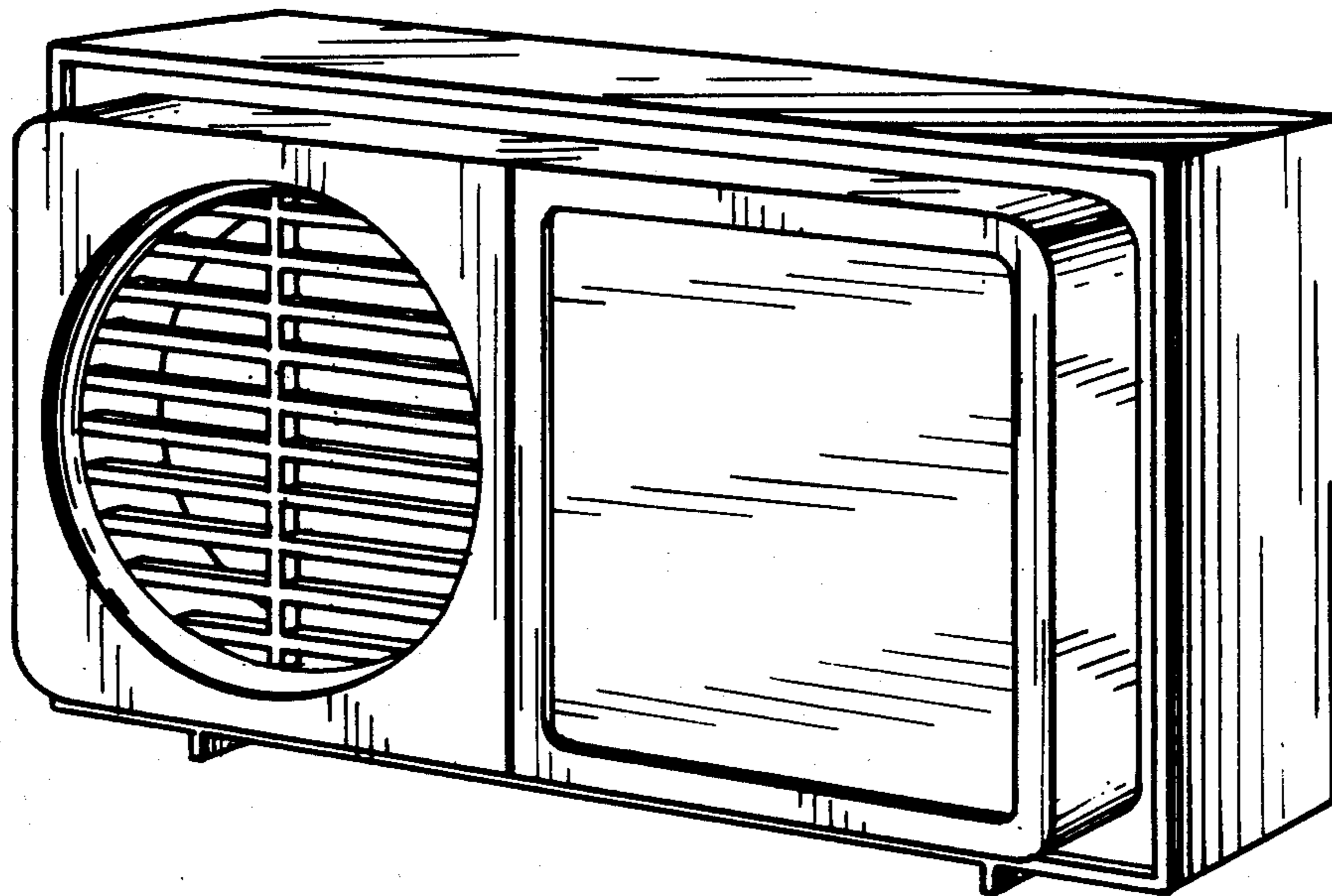


FIG. 1.

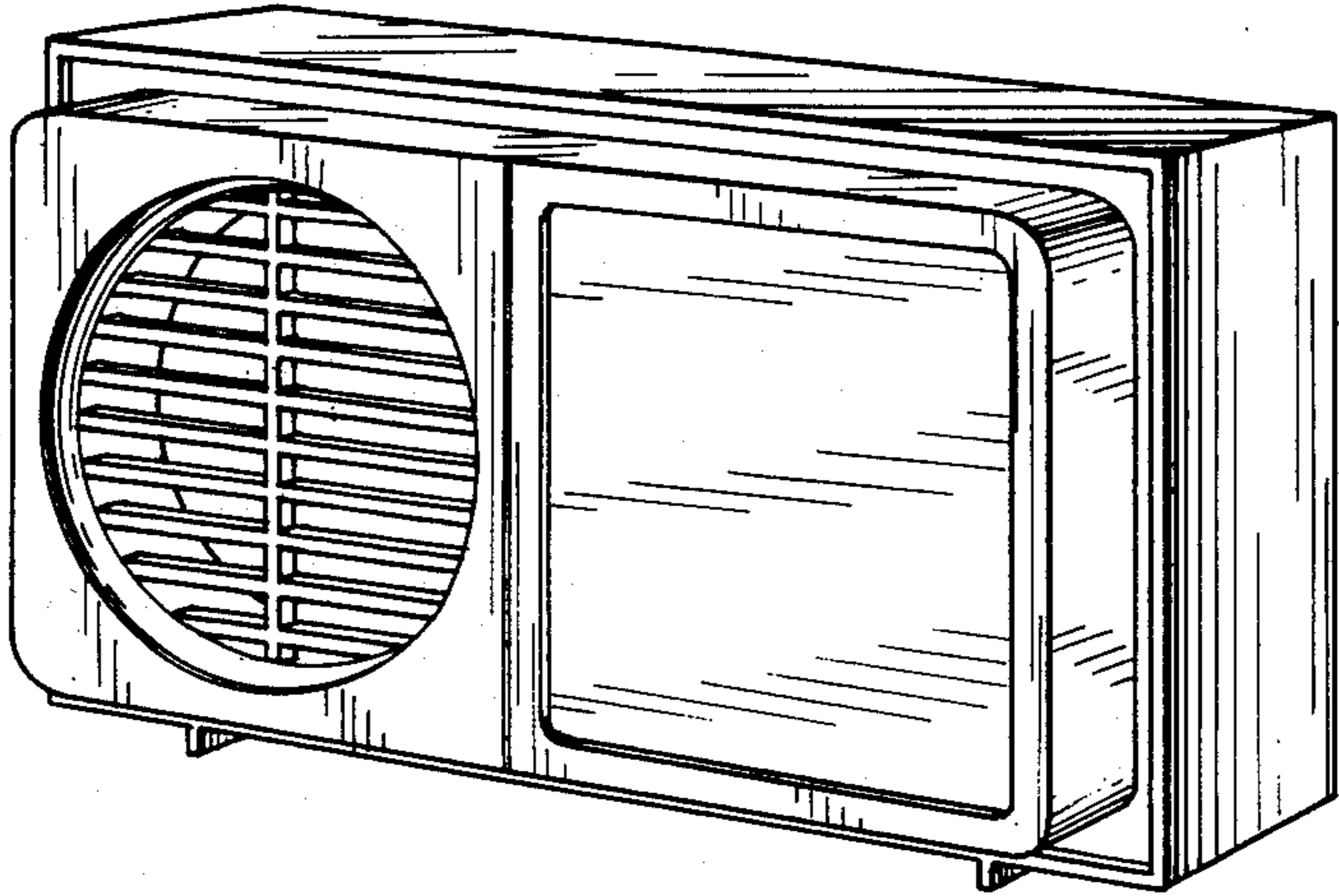


FIG. 3.

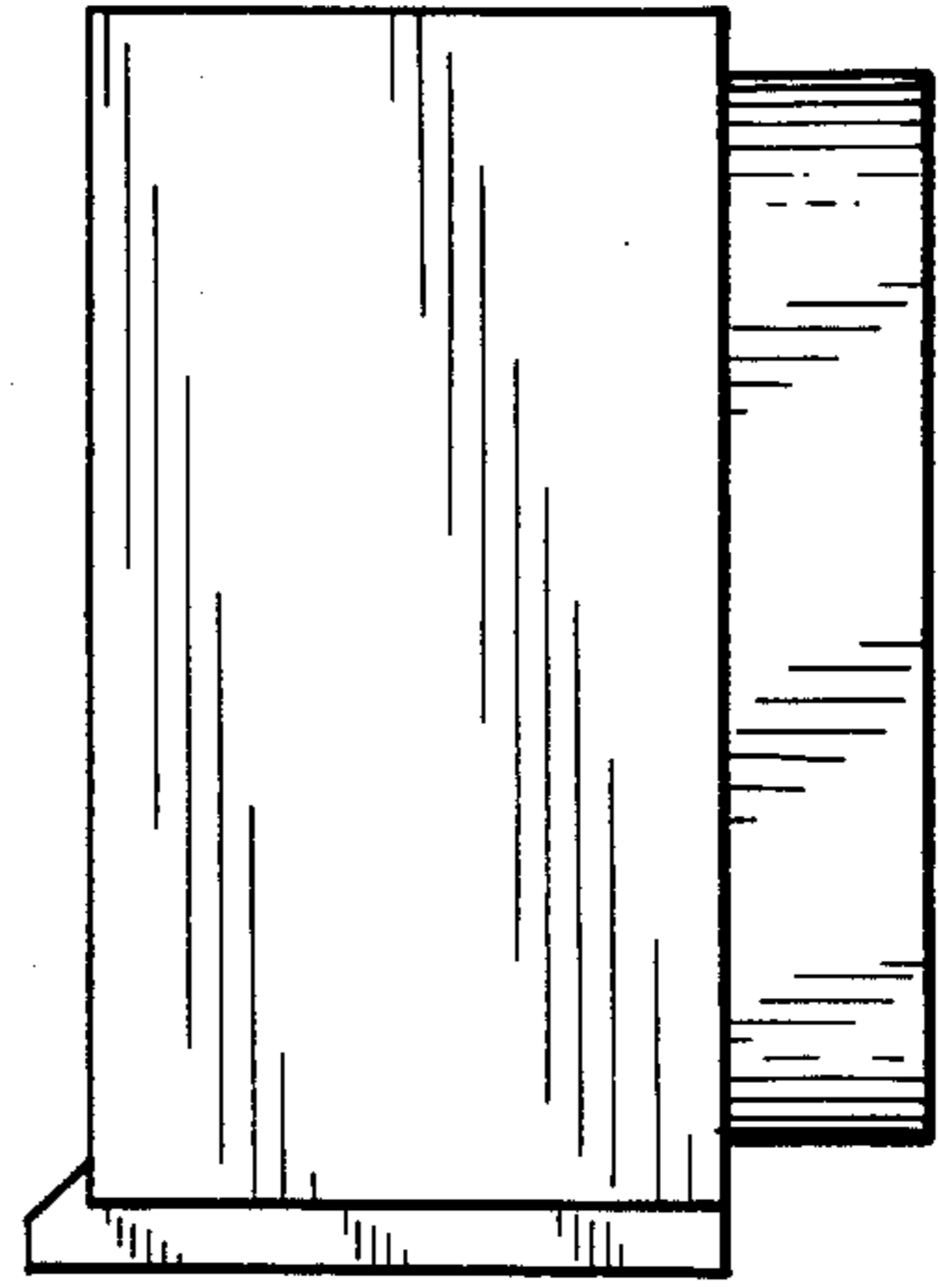


FIG. 2. 5. →

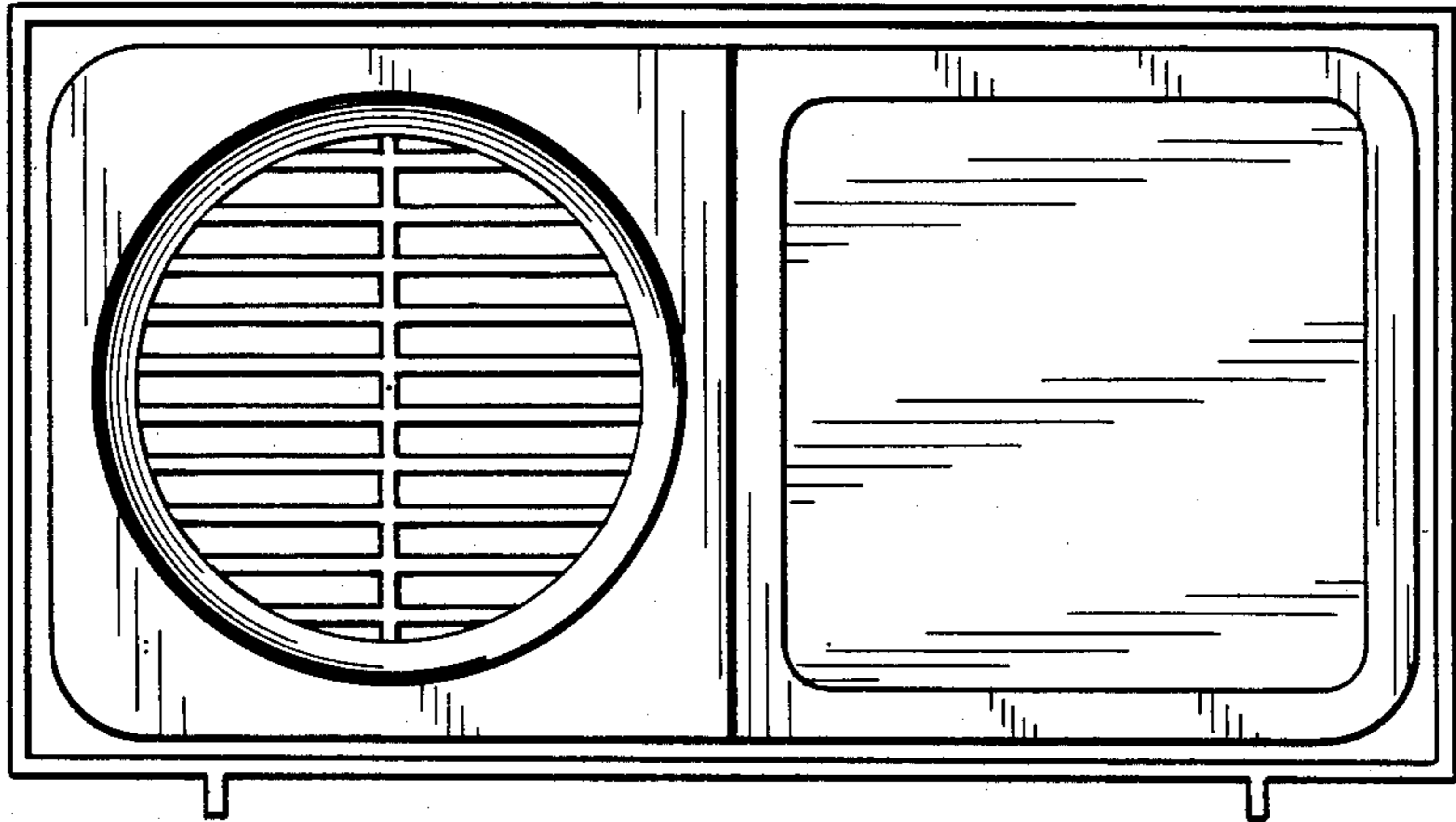


FIG. 4. 5. →

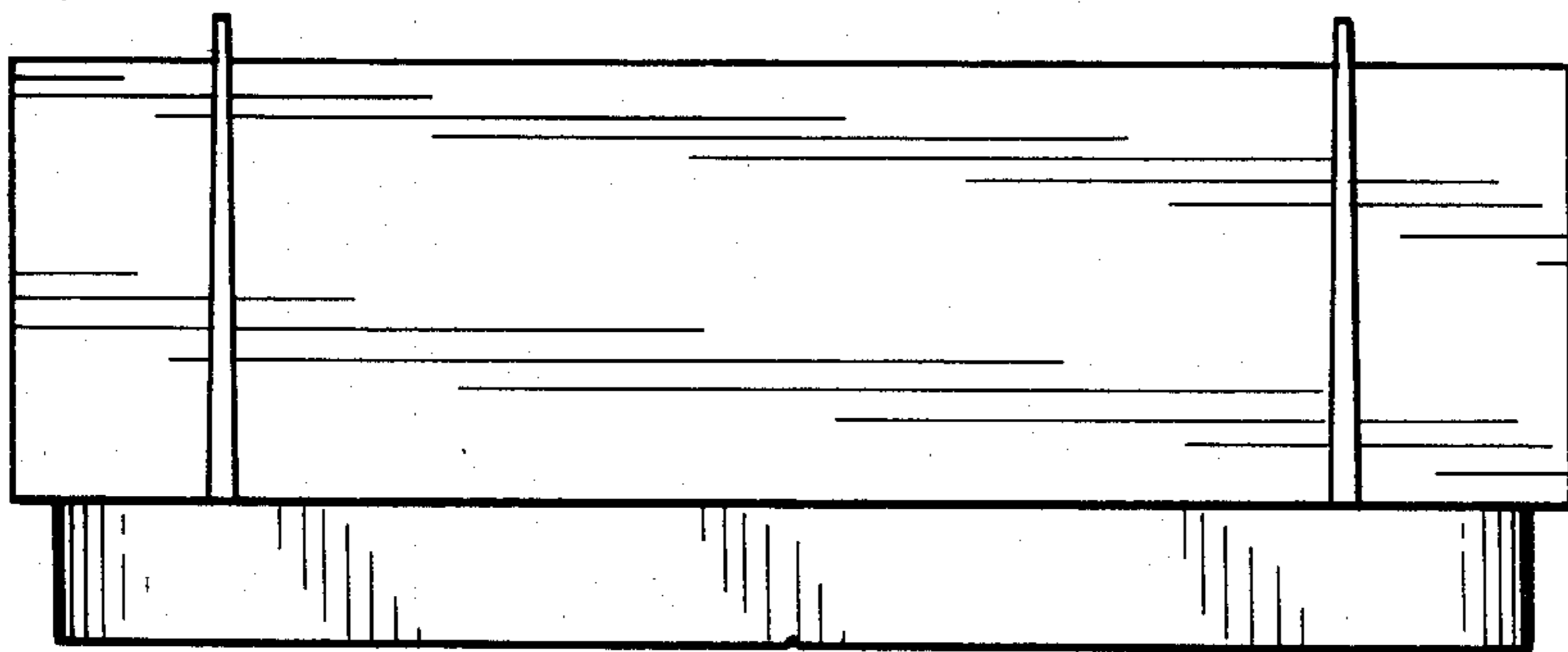


FIG. 5.

