

[54] **BATH TUB**  
 [75] **Inventor:** Donald W. Doman, Janesville, Wis.  
 [73] **Assignee:** Kohler Co.  
 [\*\*] **Term:** 14 Years  
 [21] **Appl. No.:** 414,203  
 [22] **Filed:** Nov. 9, 1973  
 [51] **Int. Cl.** ..... D23-02  
 [52] **U.S. Cl.** ..... D23/55  
 [58] **Field of Search** ..... D23/48-50,  
 D23/55-57, 69; 4/173, 180, 185 H

[56] **References Cited**  
**U.S. PATENT DOCUMENTS**

1,445,243	2/1923	Spaleck	4/173
D. 211,876	8/1968	Doman	D23/55
D. 214,270	5/1969	Bonsack	D23/55
D. 226,607	4/1973	Lawrence	D23/55

D. 227,101 6/1973 Primault ..... D23/55

**FOREIGN PATENT DOCUMENTS**

2,015,139 10/1971 Germany ..... D4/173

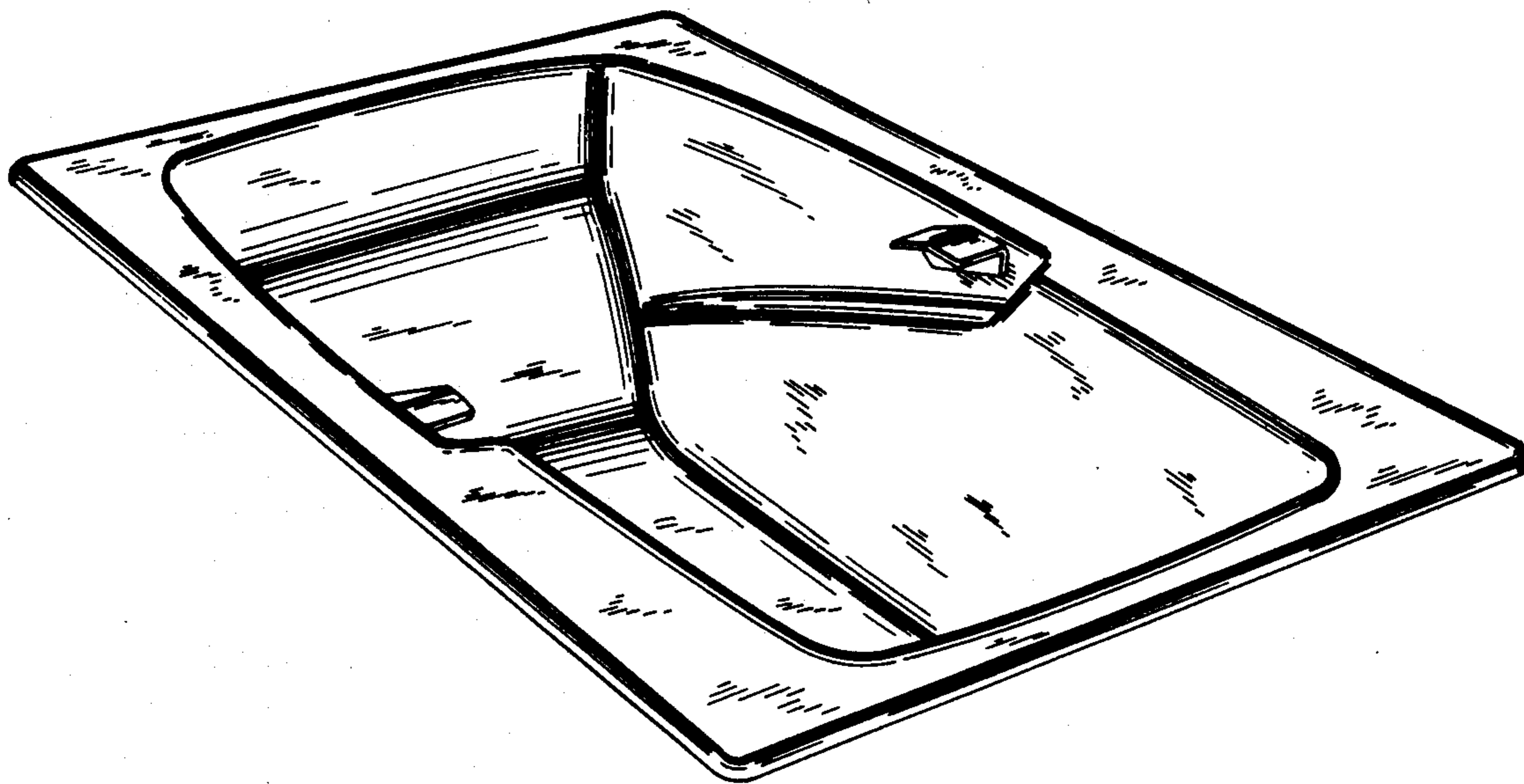
*Primary Examiner*—James R. Largen  
*Attorney, Agent, or Firm*—Arthur H. Seidel

[57] **CLAIM**

The ornamental design for a bath tub, as shown.

**DESCRIPTION**

FIG. 1 is a perspective view of a bath tub showing my new design;  
 FIG. 2 is a top plan view thereof;  
 FIG. 3 is a cross sectional view taken on line 3—3 of FIG. 2;  
 FIG. 4 is a cross sectional view taken on line 4—4 of FIG. 2; and  
 FIG. 5 is a cross sectional view taken on line 5—5 of FIG. 2.



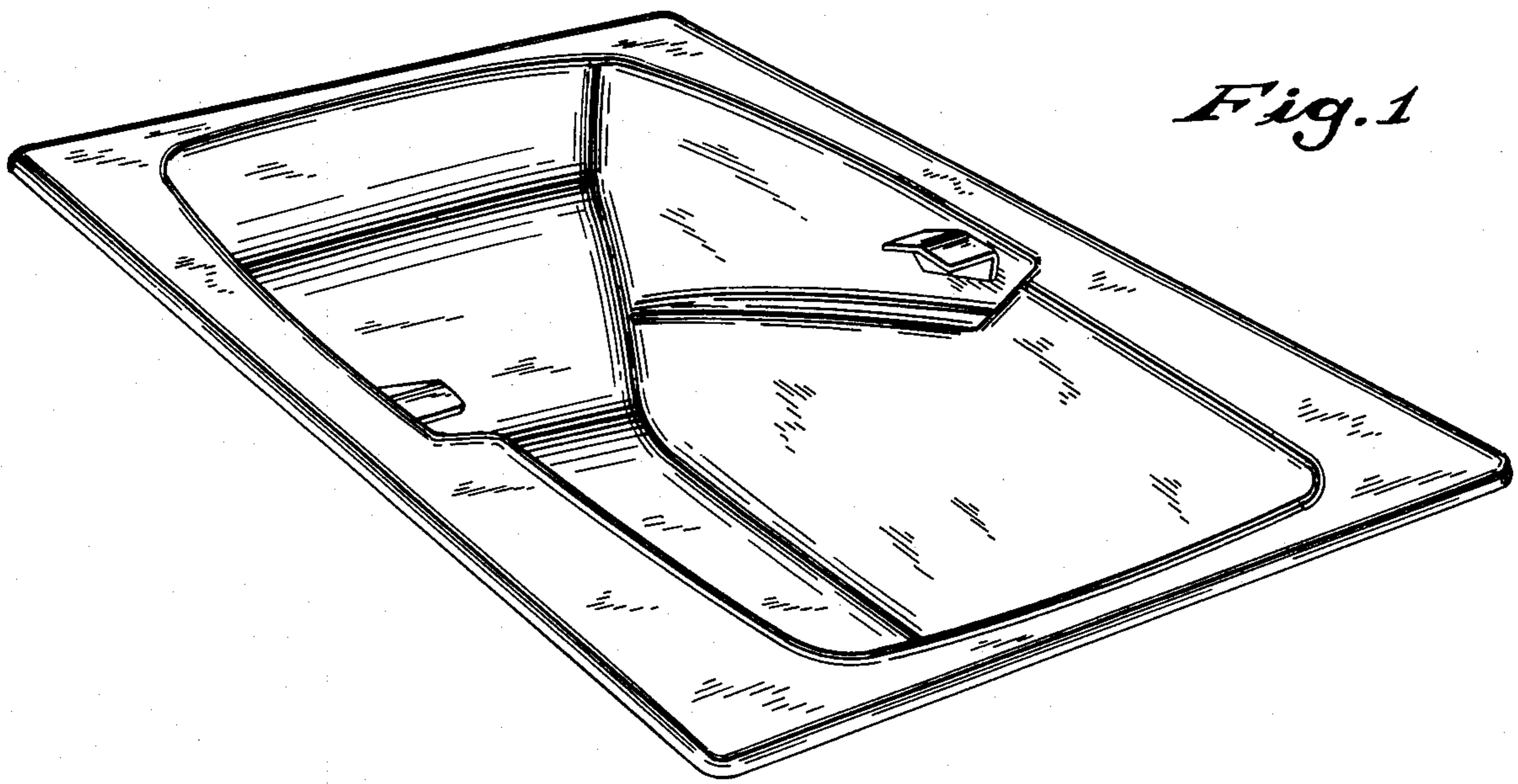
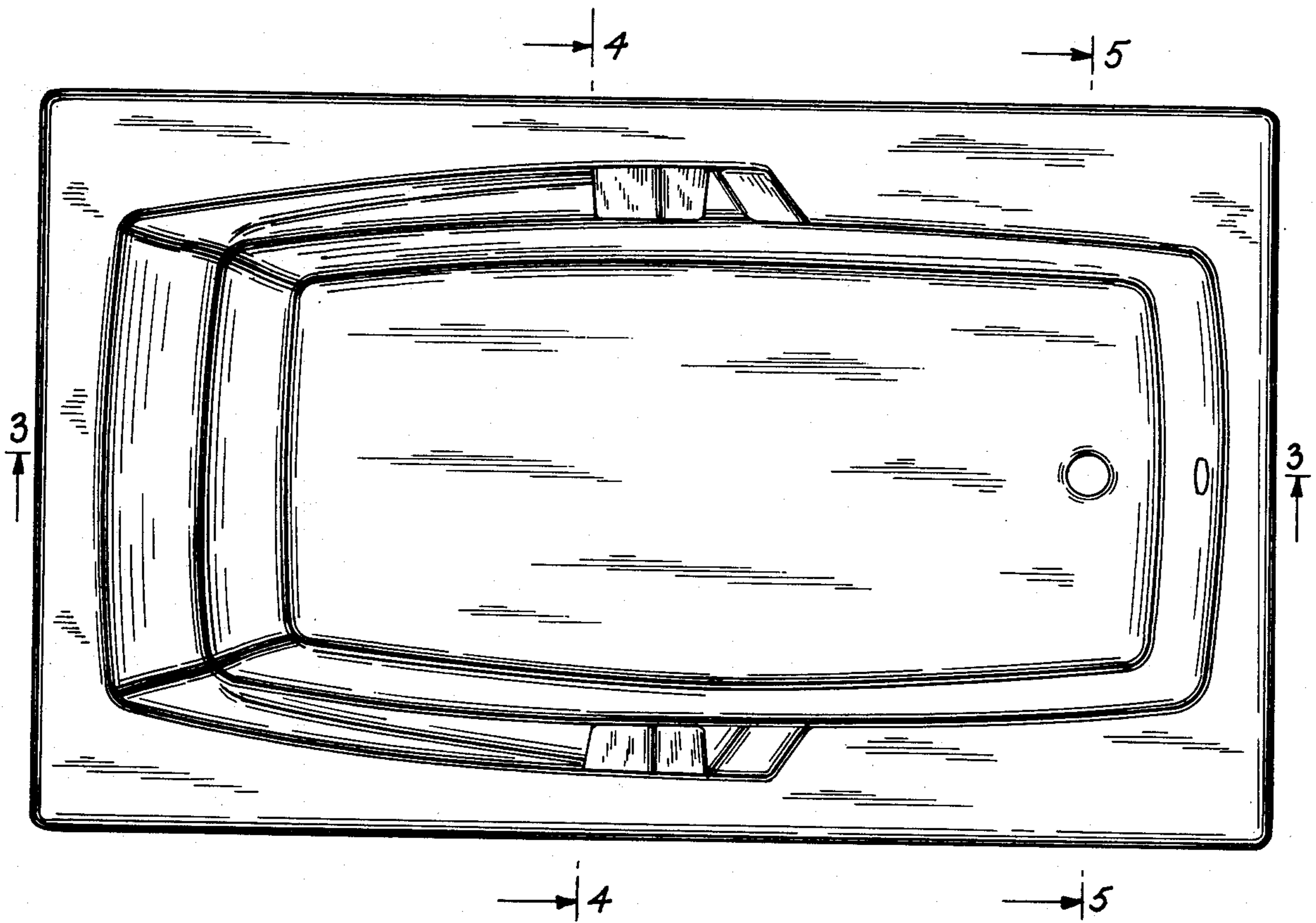
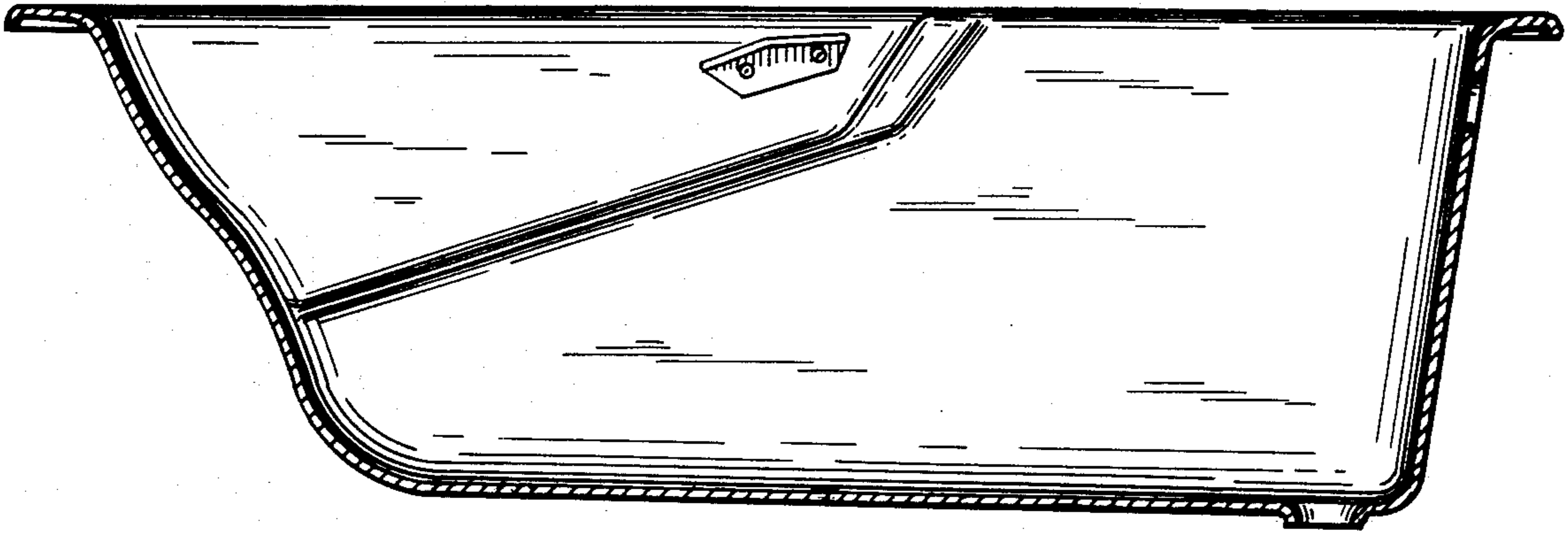


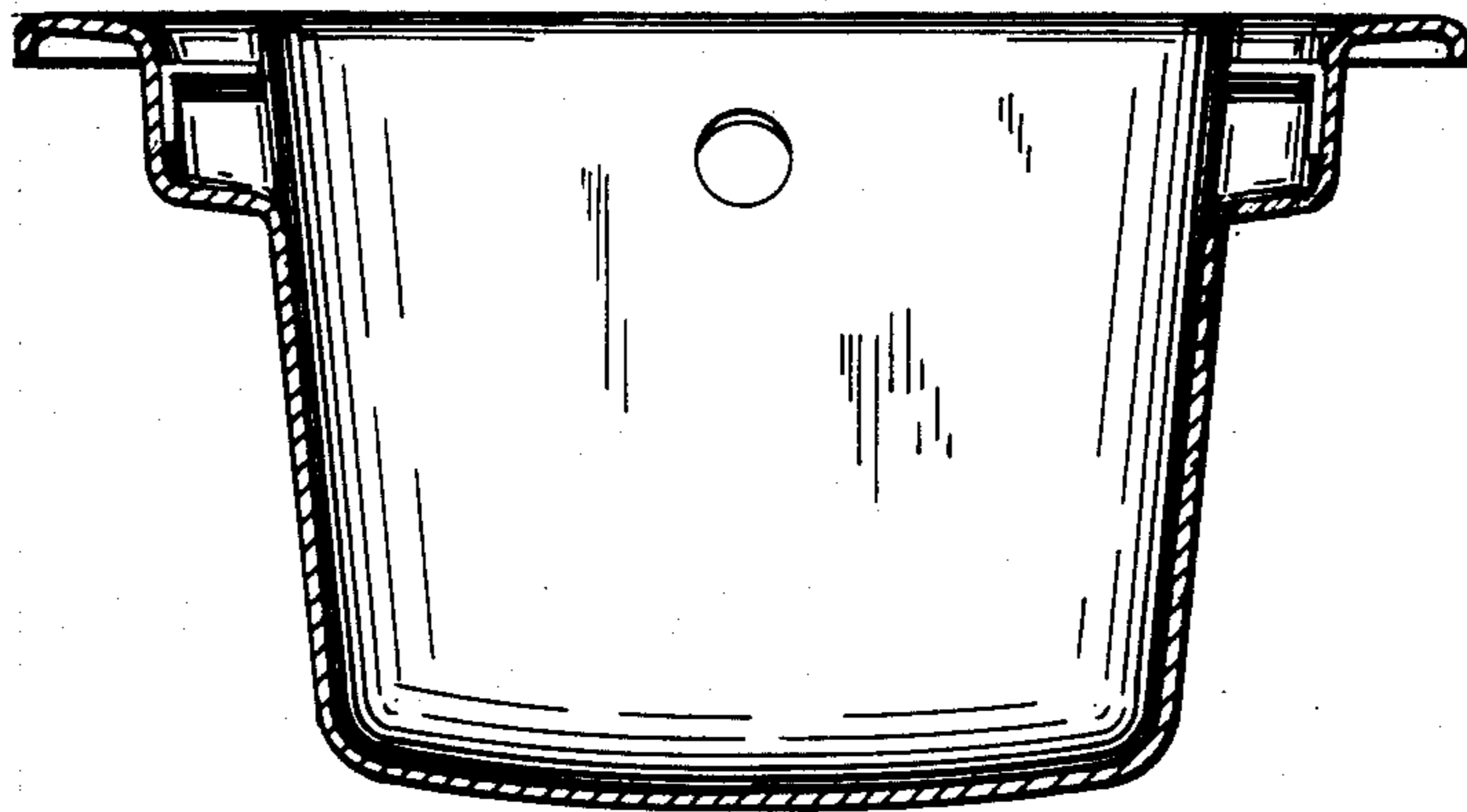
Fig. 2



*Fig. 3*



*Fig. 4*



*Fig. 5*

