

[54] VEHICLE WHEEL

[75] Inventor: Richard W. Woodward, Wrotham Heath, England

[73] Assignee: GKN Kent Alloys Limited

[**] Term: 14 Years

[21] Appl. No.: 713,203

[22] Filed: Aug. 10, 1976

[30] Foreign Application Priority Data

Mar. 2, 1976 United Kingdom 974722/76

[51] Int. Cl. D12-16

[52] U.S. Cl. D12/211

[58] Field of Search D12/209-211; 301/63 R, 63 PW, 64 R, 64 SH, 64 SD, 65, 66, 67, 73, 79, 37 R, 37 P

[56]

References Cited

U.S. PATENT DOCUMENTS

D. 202,033 8/1965 Hibbard D12/211
D. 233,518 11/1974 Reid D12/211

OTHER PUBLICATIONS

Road & Track, Oct. 1975, p. 8, Wheel, center of page.
Road & Track, Nov. 1975, p. 23, second wheel down from top right side of page.

Primary Examiner—Wallace R. Burke

Assistant Examiner—James M. Gandy

Attorney, Agent, or Firm—Franklin M. Crouch

[57]

CLAIM

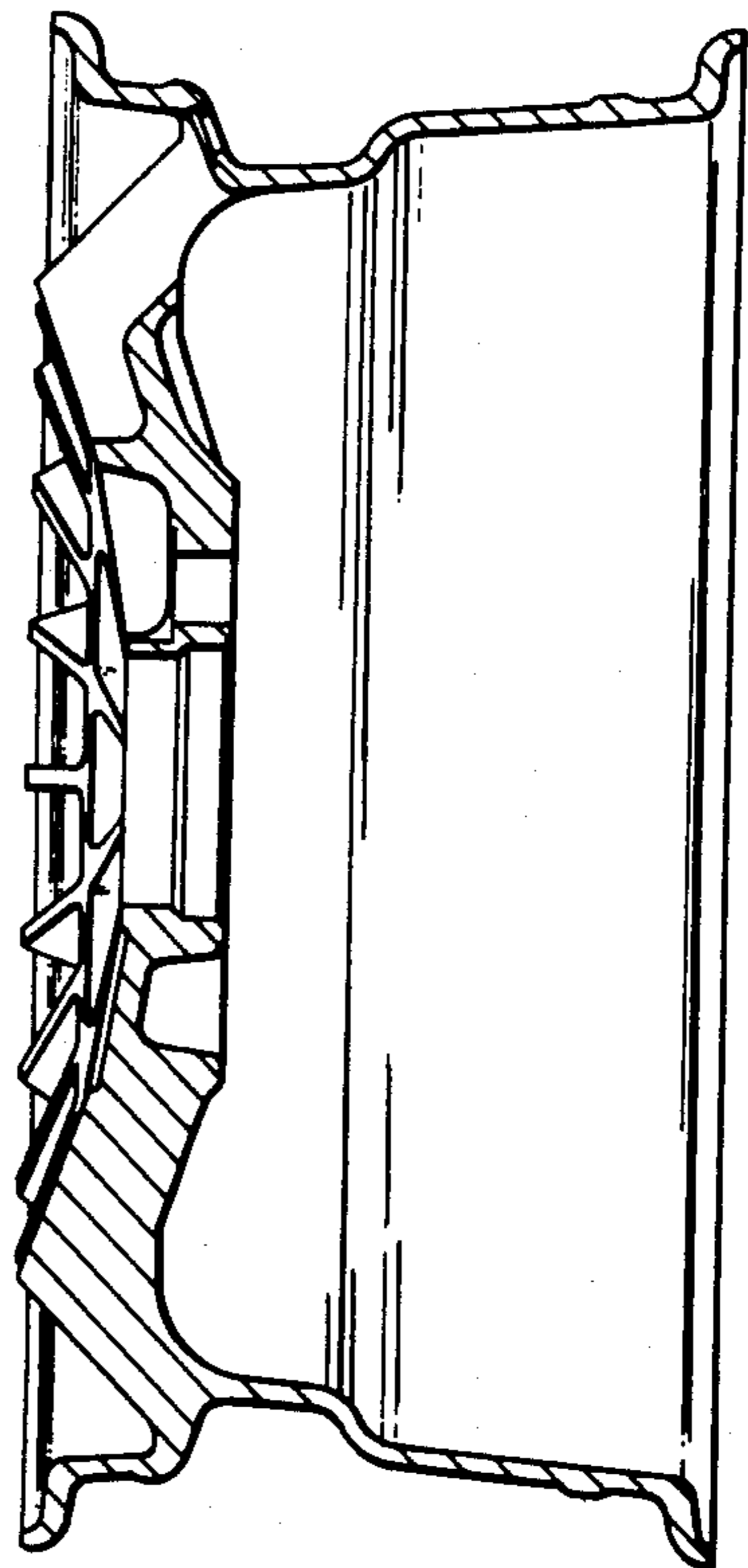
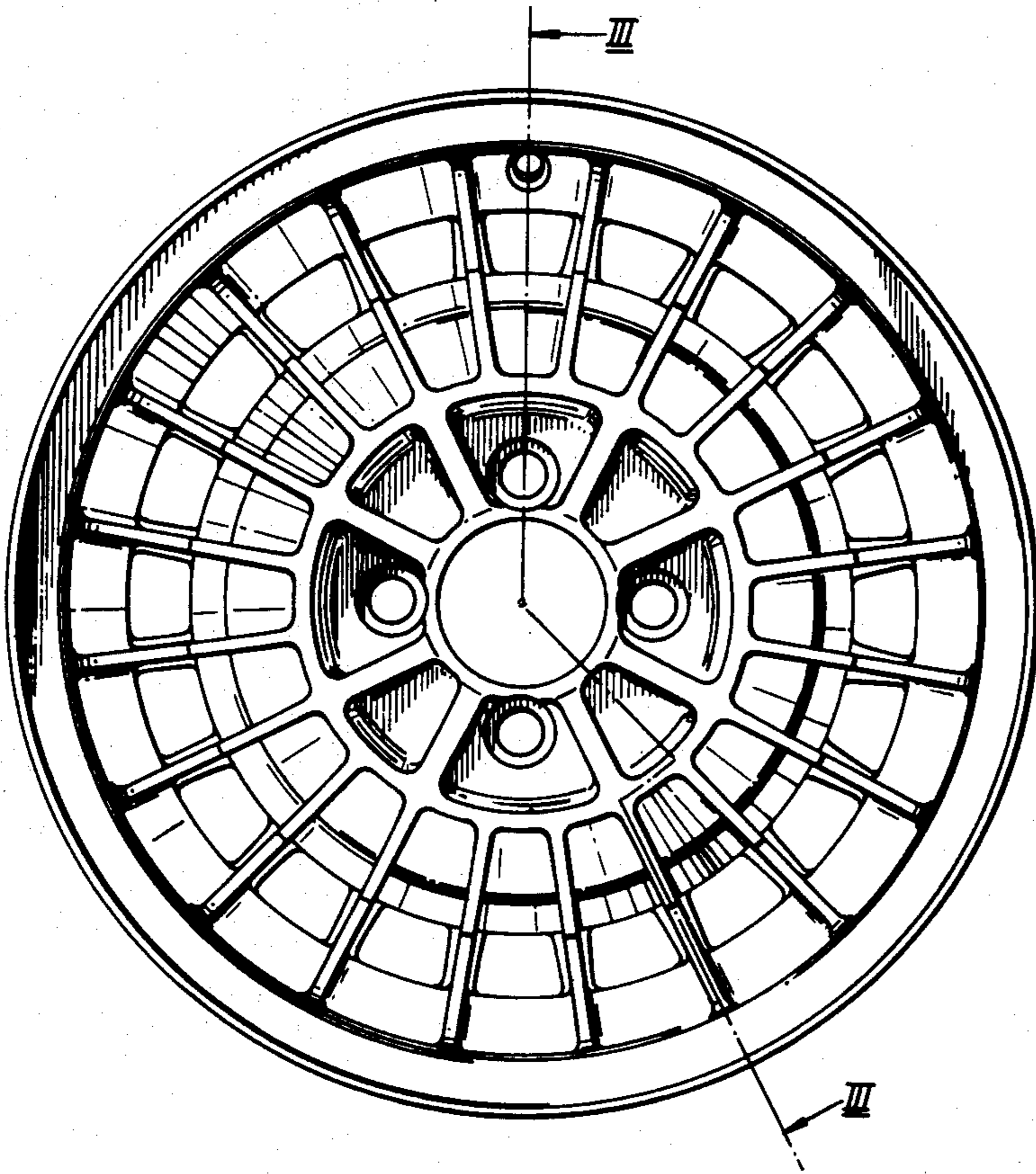
The ornamental design for a vehicle wheel, as shown.

DESCRIPTION

FIG. 1 is a front elevational view of a vehicle wheel showing my new design;

FIG. 2 is a rear elevational view thereof;

FIG. 3 is a longitudinal sectional view thereof taken on line III—III of FIG. 1.



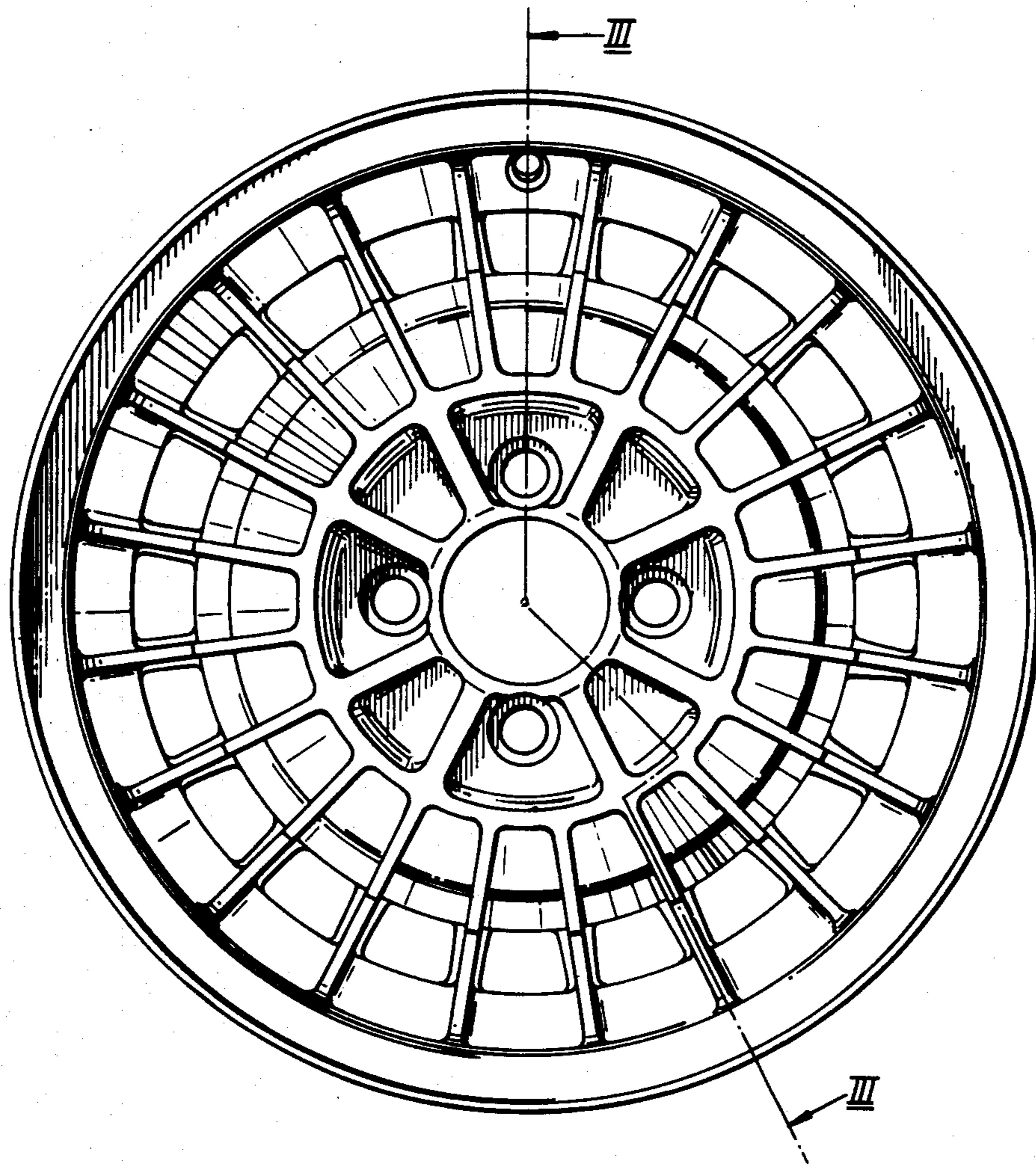


FIG. 1.

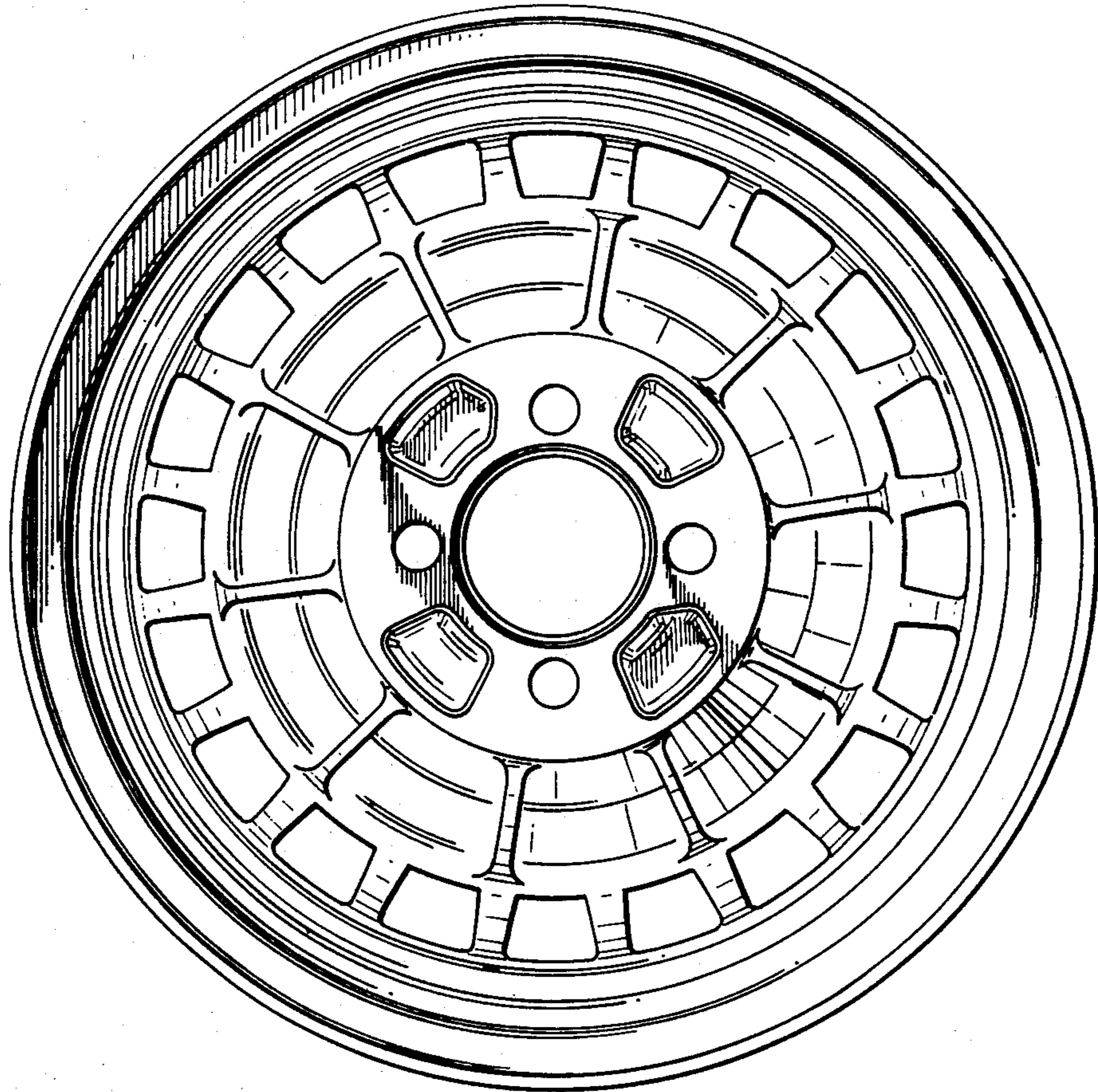


FIG. 2.

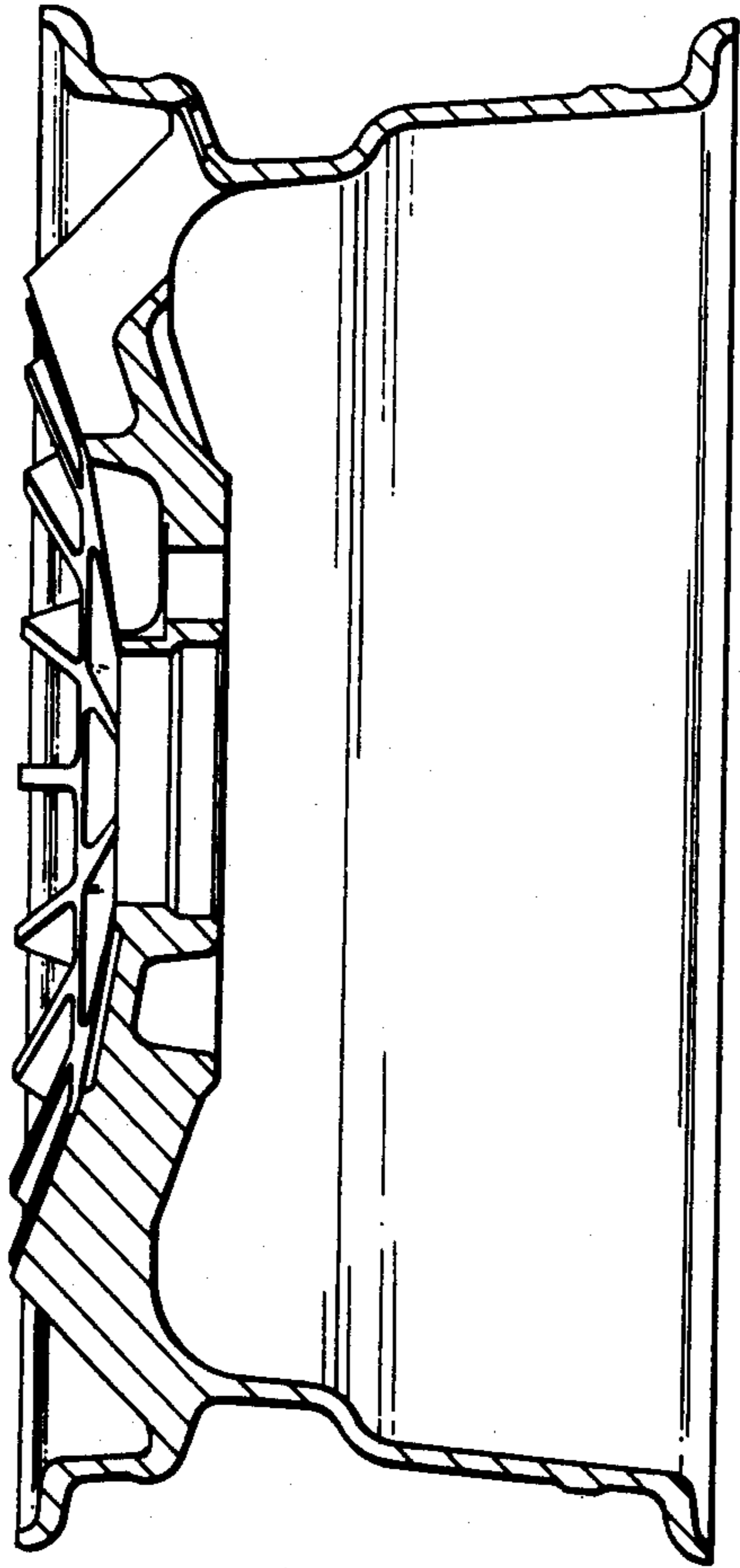


FIG. 3.