

[54] LEVEL

[75] Inventors: Hans Kristian Thingstad; Horst Jürgensen, both of Sodertalje, Sweden

[73] Assignee: Libella Tool AB

[**] Term: 14 Years

[21] Appl. No.: 569,073

[22] Filed: Apr. 17, 1975

[30] Foreign Application Priority Data
Nov. 8, 1974 Sweden 741843

[51] Int. Cl. D10-04

[52] U.S. Cl. D10/69

[58] Field of Search D10/69; 33/88-89, 33/376, 379, 381-382

[56]

References Cited

U.S. PATENT DOCUMENTS

1,159,522	11/1915	Miller	D10/69 X
1,264,484	4/1918	Bridgman	33/376
1,278,148	9/1918	Heusser	33/376
2,633,640	4/1953	Rucsko	D10/69 X
3,311,988	4/1967	Manville	33/376
3,435,533	4/1969	Whitfield	33/382

Primary Examiner—Nelson C. Holtje
Attorney, Agent, or Firm—Donald Messenheimer

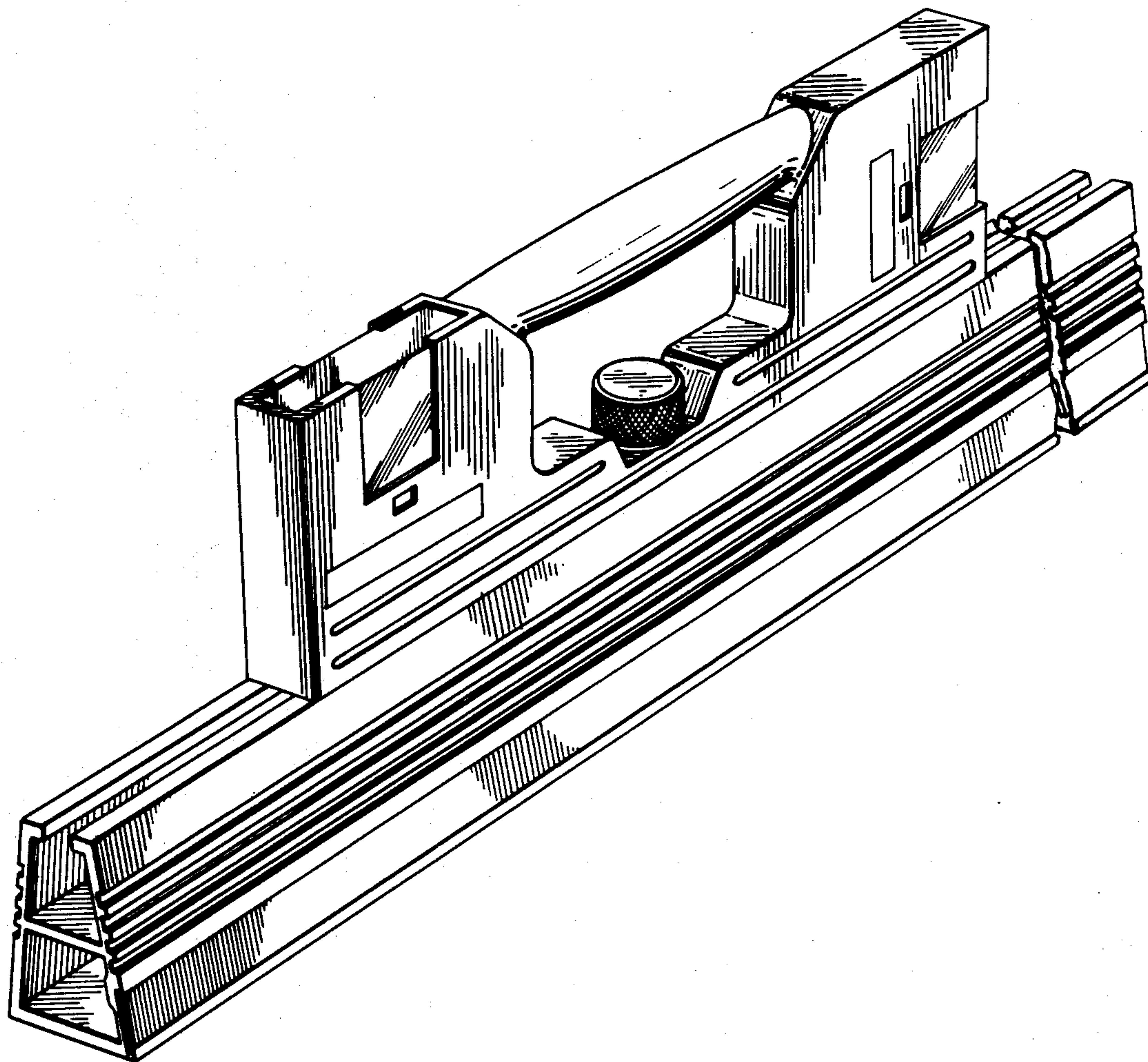
[57]

CLAIM

The ornamental design for a level, as shown.

DESCRIPTION

FIG. 1 is a top and side perspective view of a level showing our new design;
FIG. 2 is a bottom and opposite side perspective view thereof;
FIG. 3 is a top perspective view of the detachable handle portion;
FIG. 4 is a bottom and opposite side perspective view of the detachable handle portion; the bar having been omitted for ease of illustration.



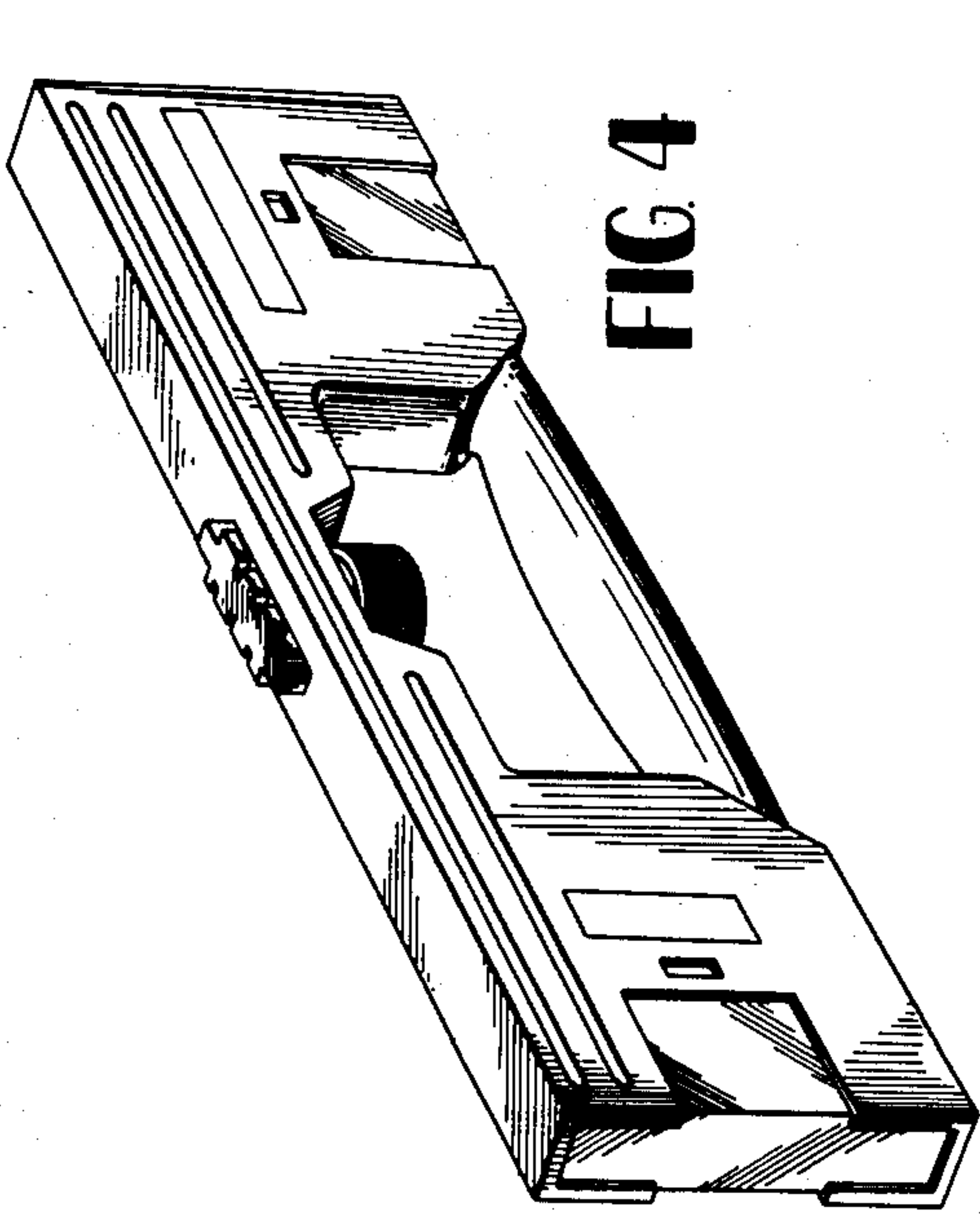


FIG 4

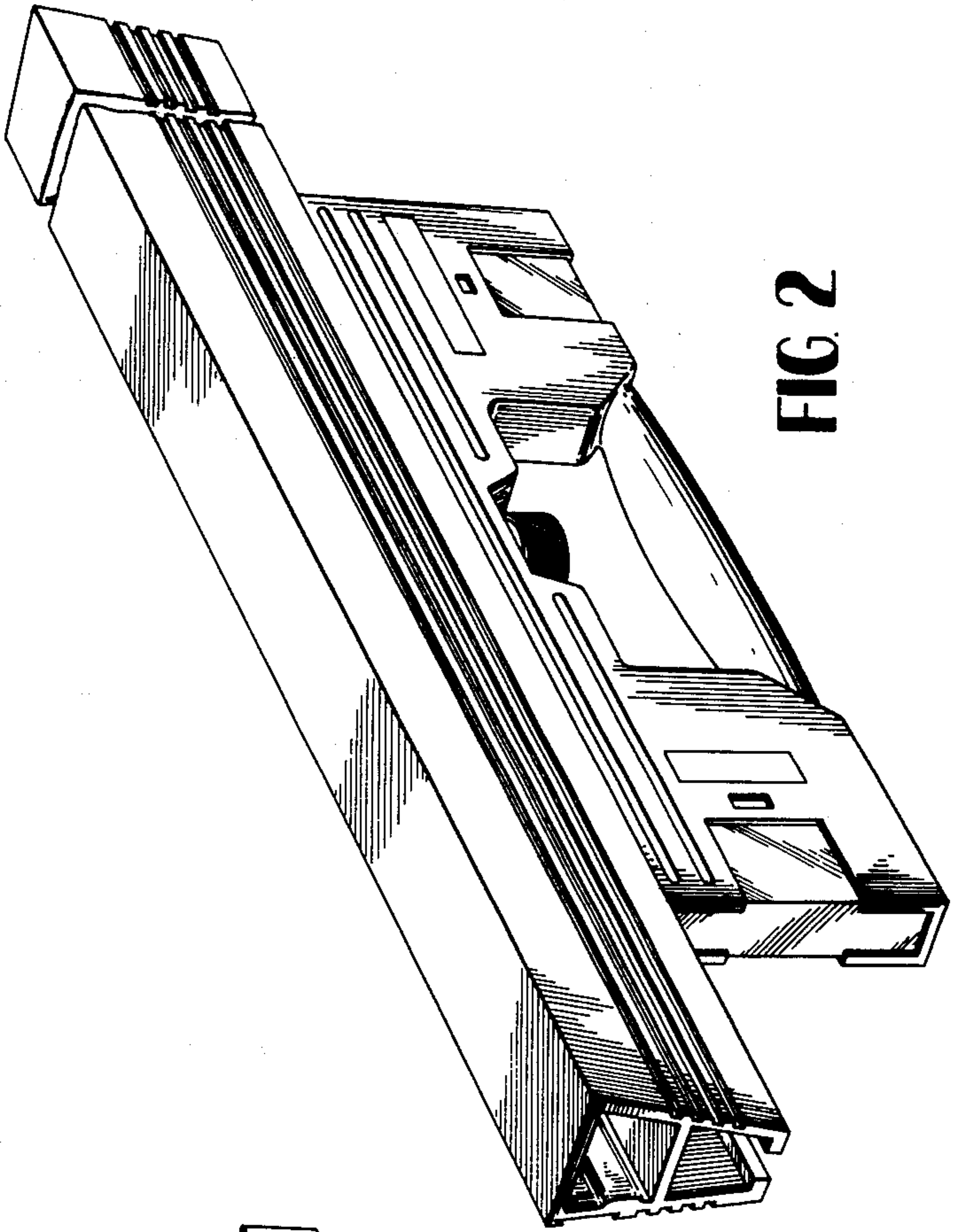


FIG 2

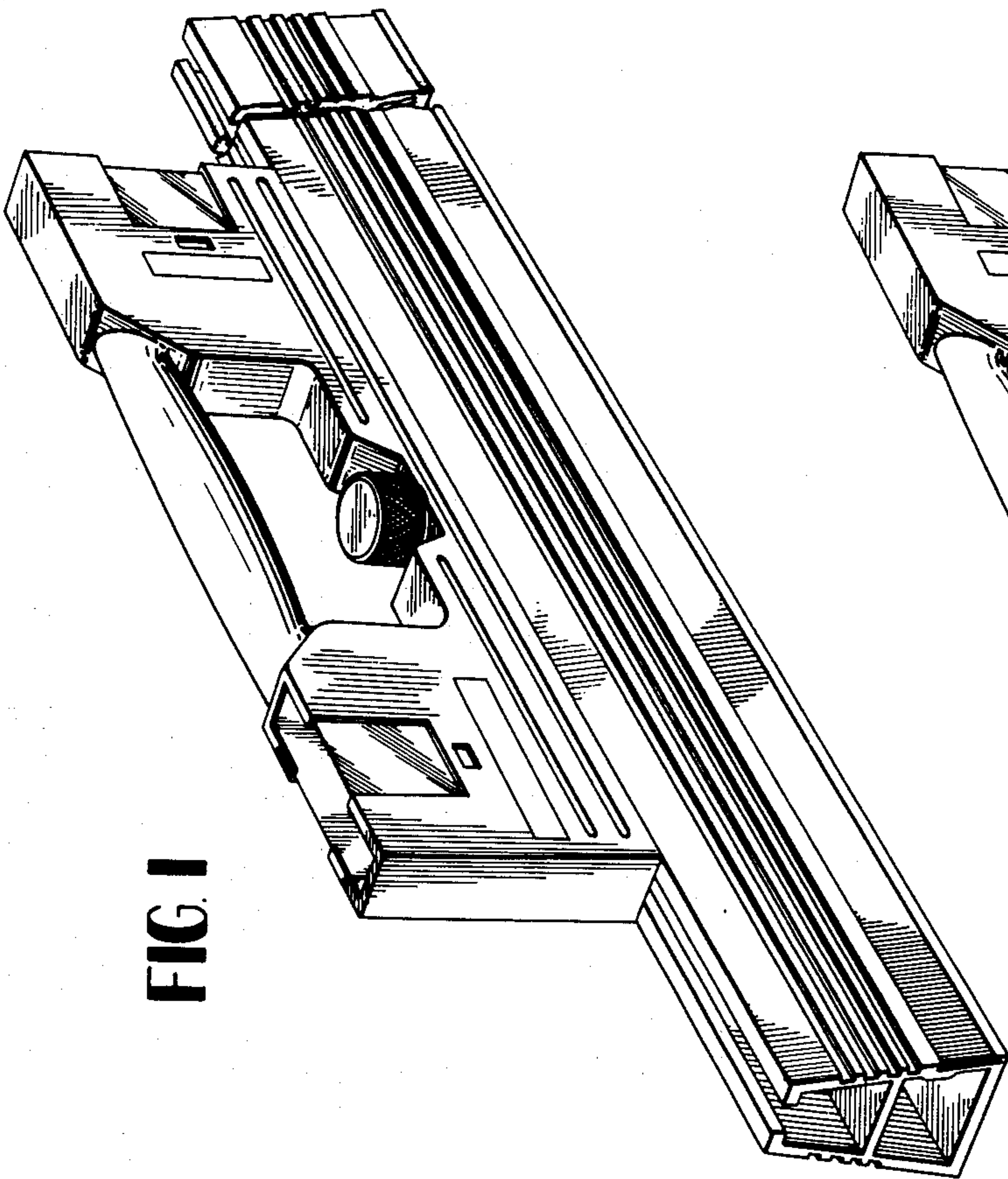


FIG 1

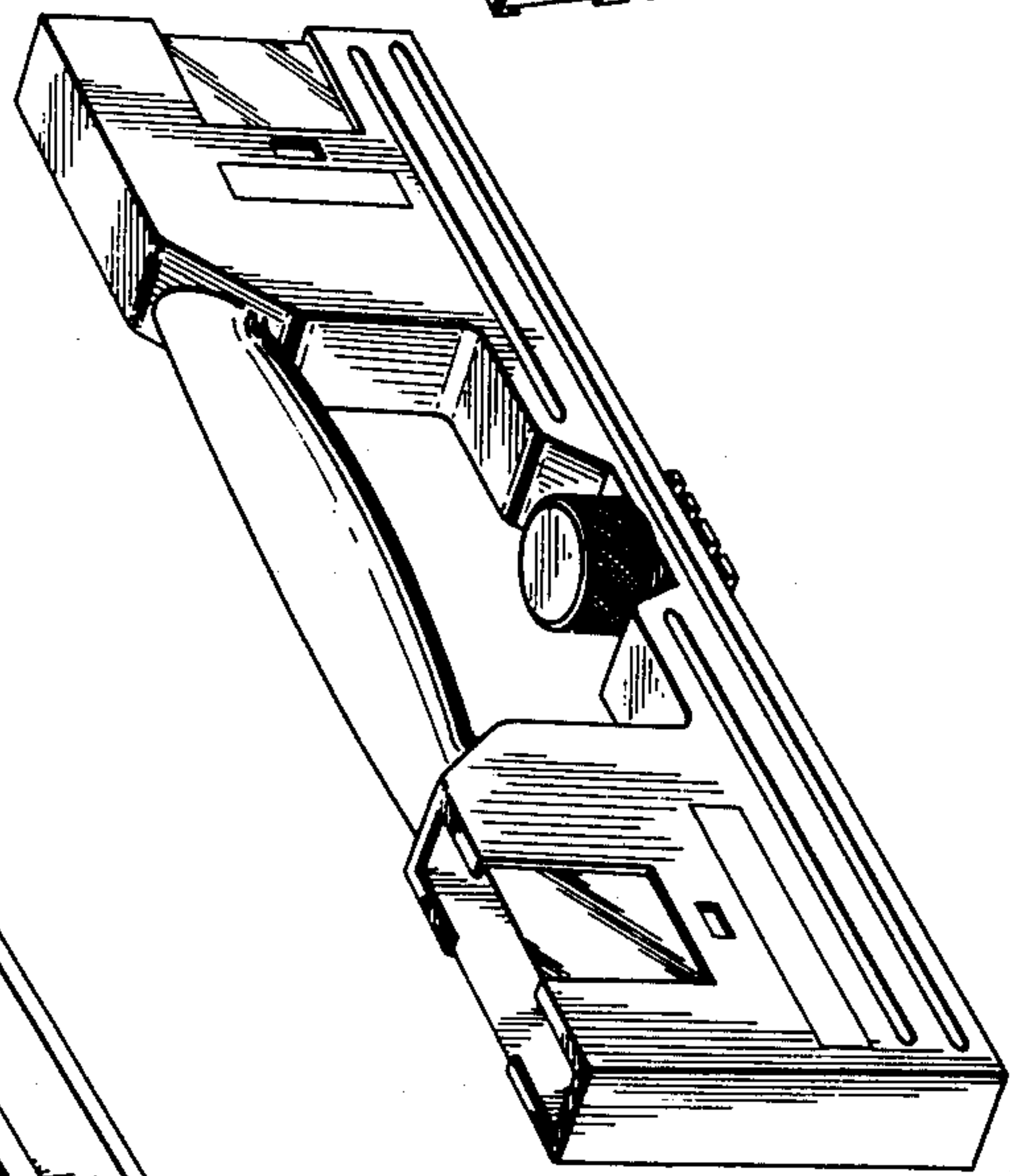


FIG 3