

[54] FOLDING CARTON

[75] Inventor: Karl Rune Persson, Halmstad, Sweden

[73] Assignee: Duni-Bila AB, Halmstad, Sweden

[**] Term: 14 Years

[21] Appl. No.: 629,041

[22] Filed: Nov. 5, 1975

[30] Foreign Application Priority Data

May 5, 1975 Sweden 75958

[51] Int. Cl. D9-99

[52] U.S. Cl. D9/235

[58] Field of Search 229/16 R, 26, 30, 6 R, 229/36, 44 R; D9/230-236

[56]

References Cited

U.S. PATENT DOCUMENTS

2,054,959	9/1936	Wolff	D9/235 X
2,447,563	8/1948	Buttery	229/36
2,565,288	8/1951	Worfford	229/36 X
3,146,934	9/1964	Steiger	229/36 X

Primary Examiner—Robert C. Spangler
Attorney, Agent, or Firm—Sidney G. Faber

[57]

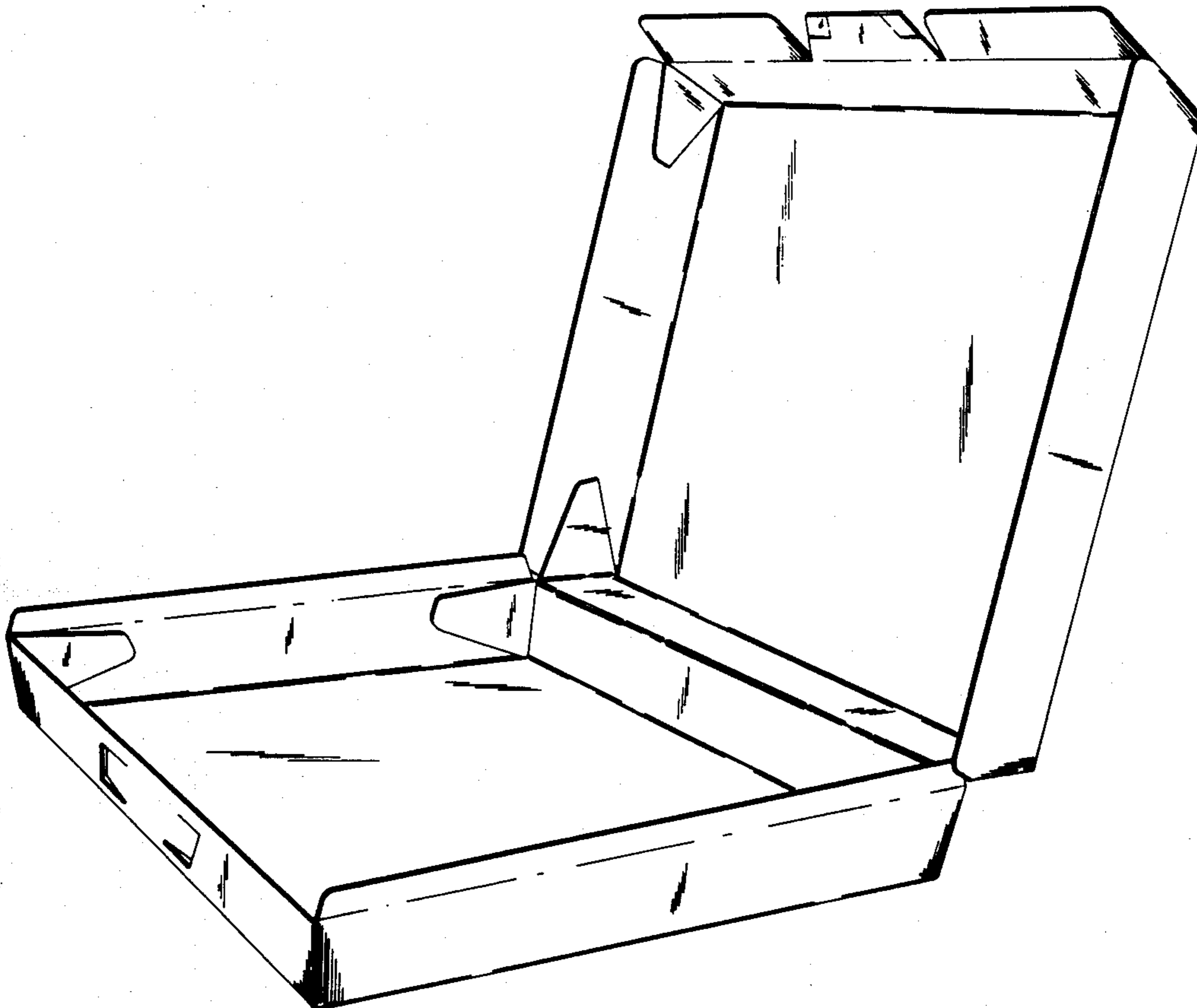
CLAIM

The ornamental design for a folding carton, as shown and described.

DESCRIPTION

FIG. 1 is a top perspective view of a folding carton showing my new design in an open position; FIG. 2 is a top perspective view of the folding carton in a closed position showing the front and left side; and FIG. 3 is a view similar to FIG. 2 showing the rear and right side.

The bottom is plain and unornamented.



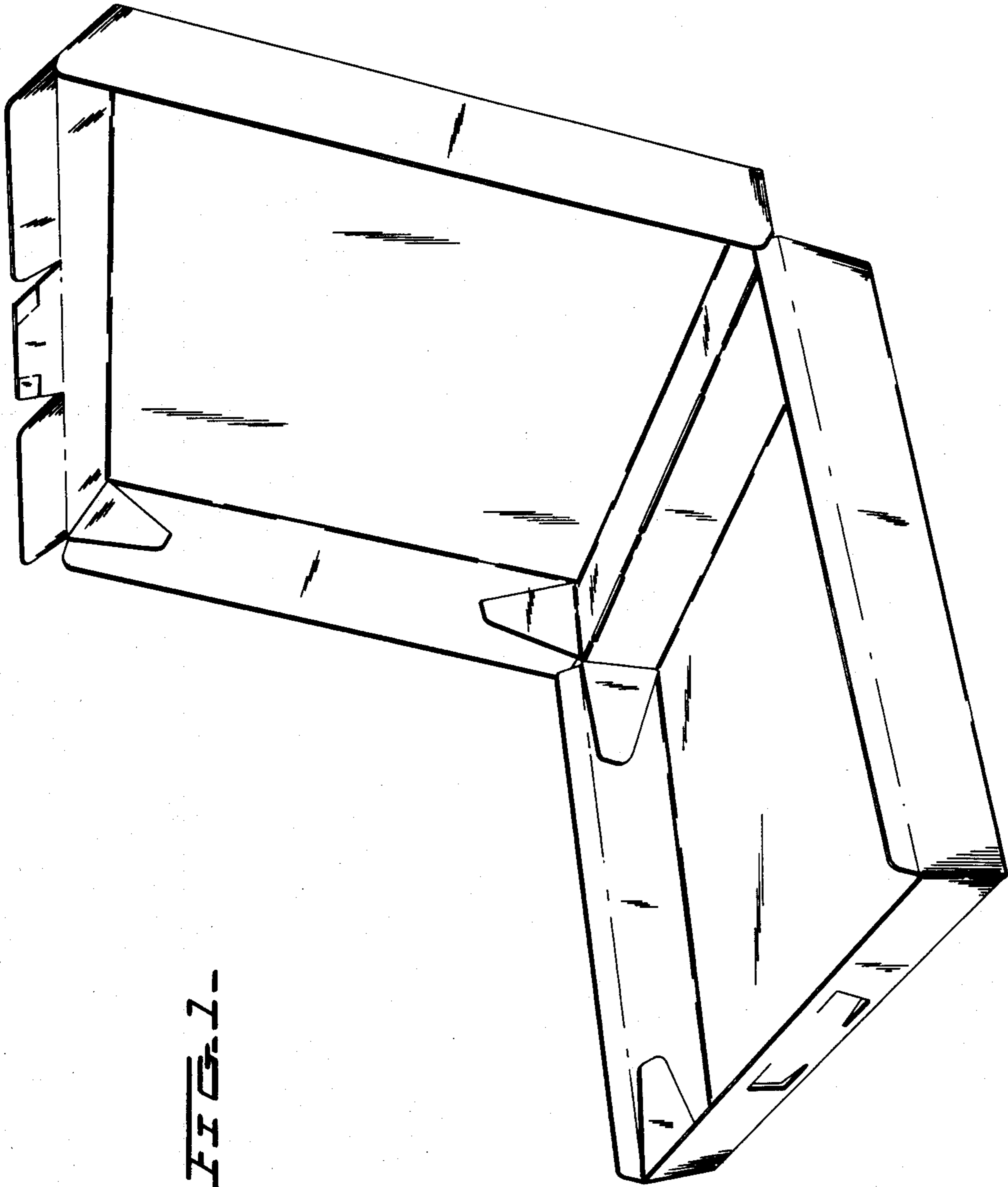


FIG. 1

FIG. 2.

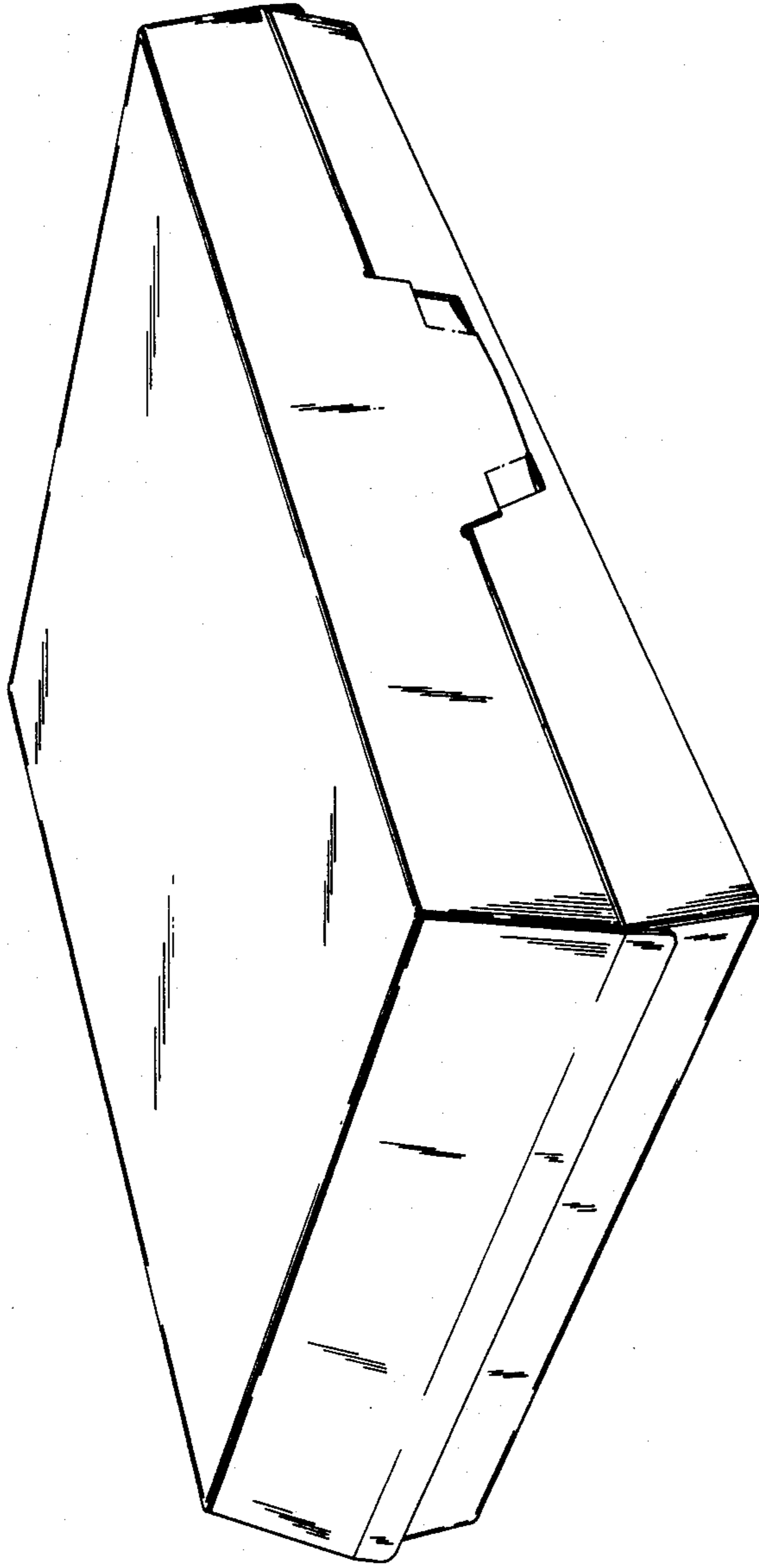


FIG. 3.

