

[54] ELECTRONIC TORQUE WRENCH

[75] Inventors: Kenneth A. Lehoczky, Livonia;  
Thomas C. Rigdon, Plymouth, both  
of Mich.

[73] Assignee: GSE, Inc.

[\*\*] Term: 14 Years

[21] Appl. No.: 693,222

[22] Filed: June 4, 1976

[51] Int. Cl. .... D8-05

[52] U.S. Cl. .... D8/24

[58] Field of Search .... D8/24; 73/139

[56]

References Cited

U.S. PATENT DOCUMENTS

3,895,515 7/1975 Otto ..... 73/139 X  
D. 215,403 9/1969 Müller ..... D8/24

Primary Examiner—Alan P. Douglas  
Attorney, Agent, or Firm—Allen M. Krass

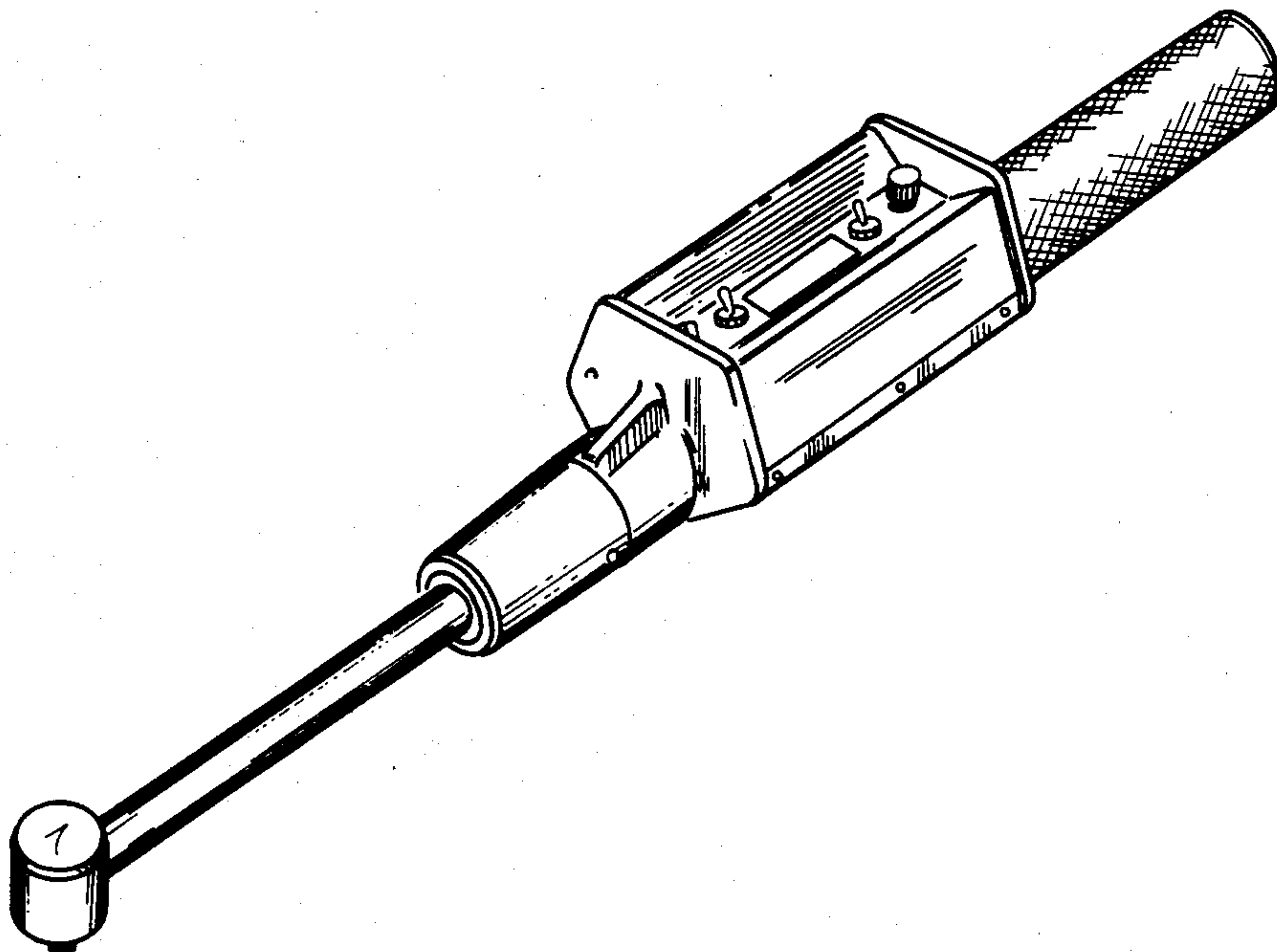
[57]

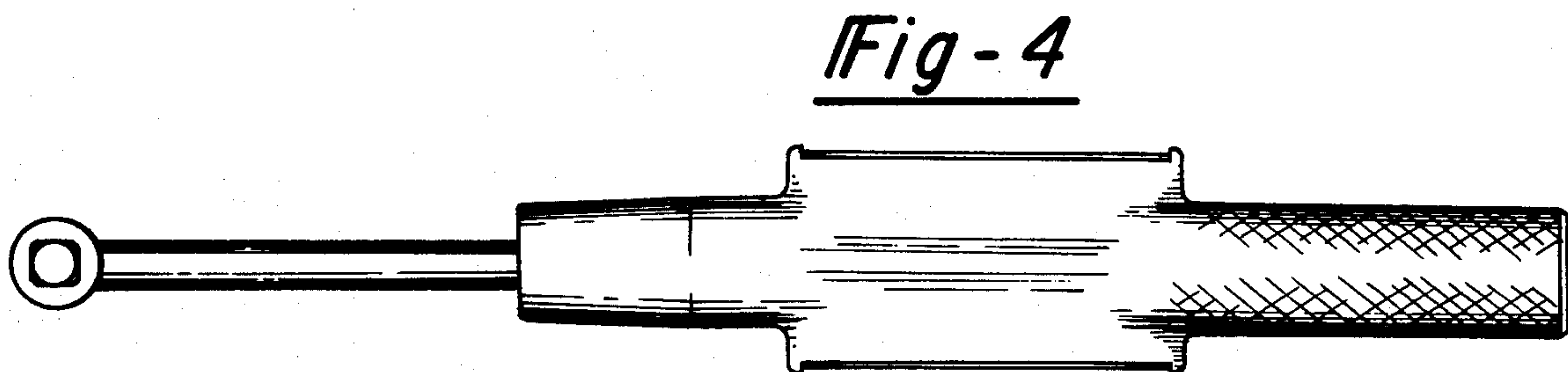
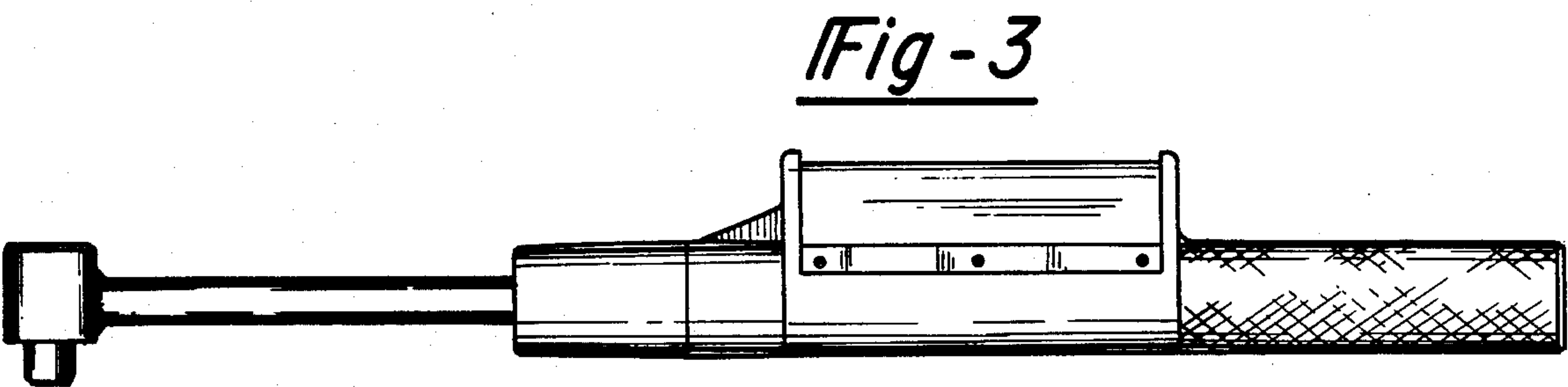
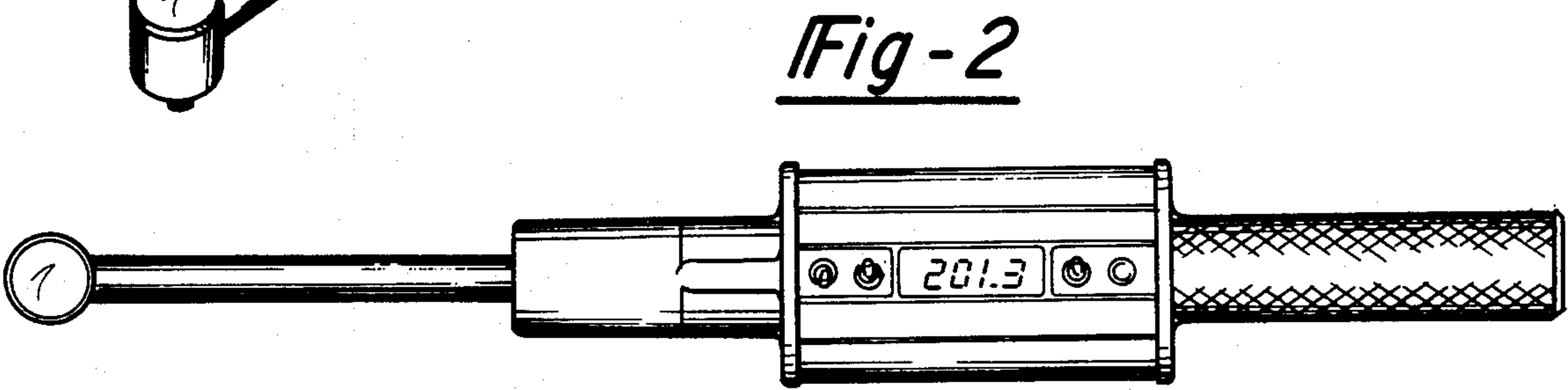
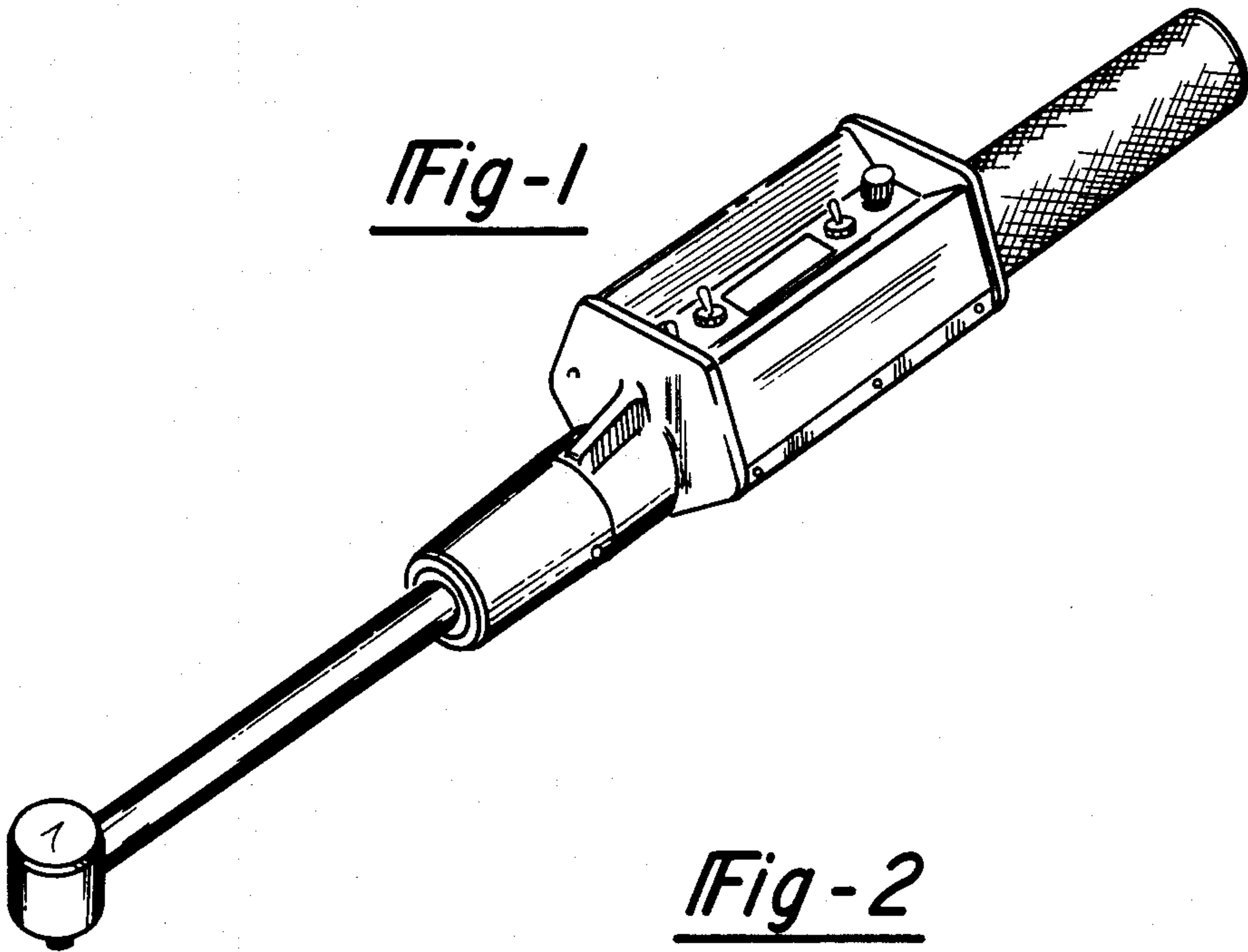
CLAIM

The ornamental design for an electronic torque  
wrench, substantially as shown and described.

DESCRIPTION

FIG. 1 is a perspective view of an electronic torque  
wrench embodying our design;  
FIG. 2 is a top view thereof;  
FIG. 3 is a side view thereof;  
FIG. 4 is a bottom view thereof;  
FIG. 5 is a side view thereof;  
FIG. 6 is an end view thereof; and  
FIG. 7 is an end view thereof.





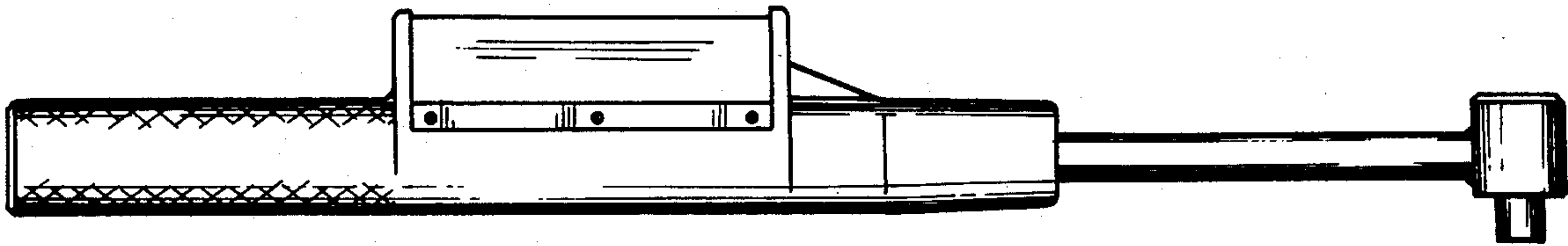


Fig-5

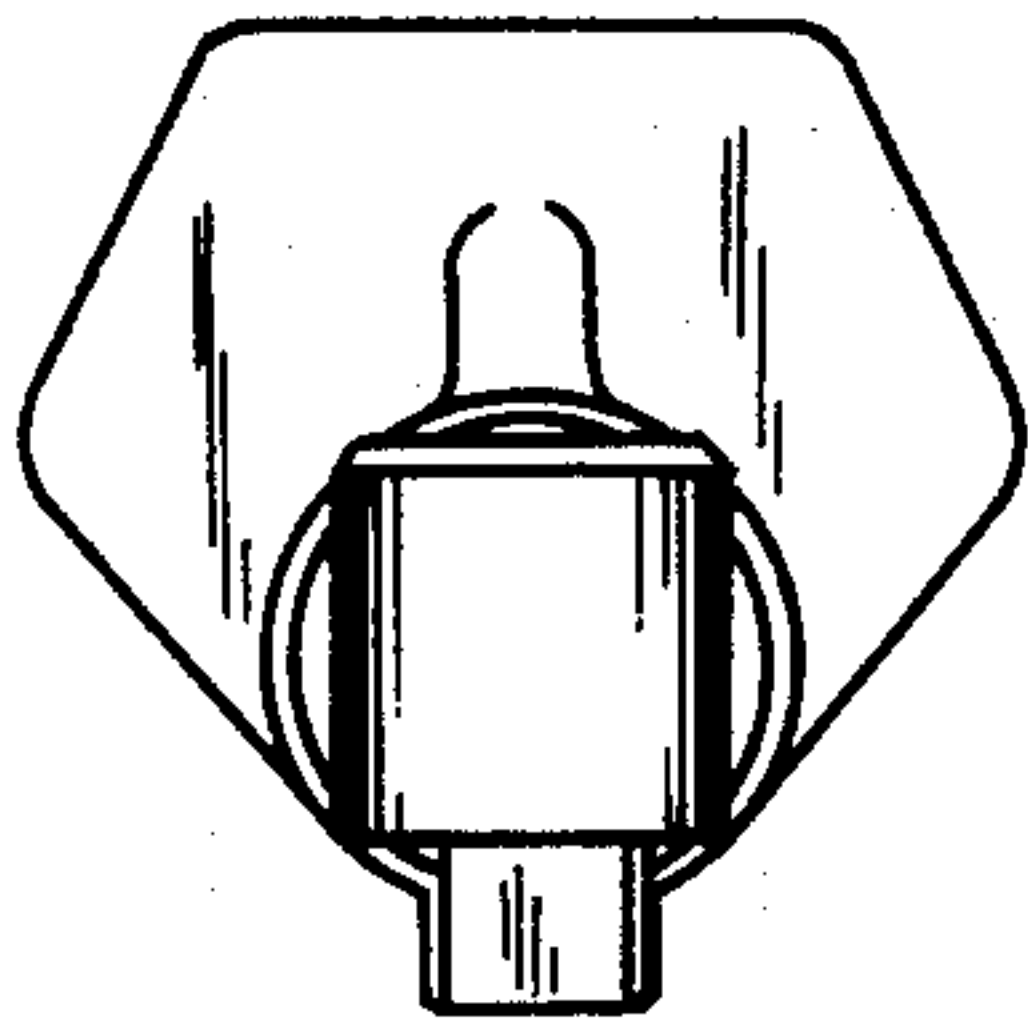


Fig-6

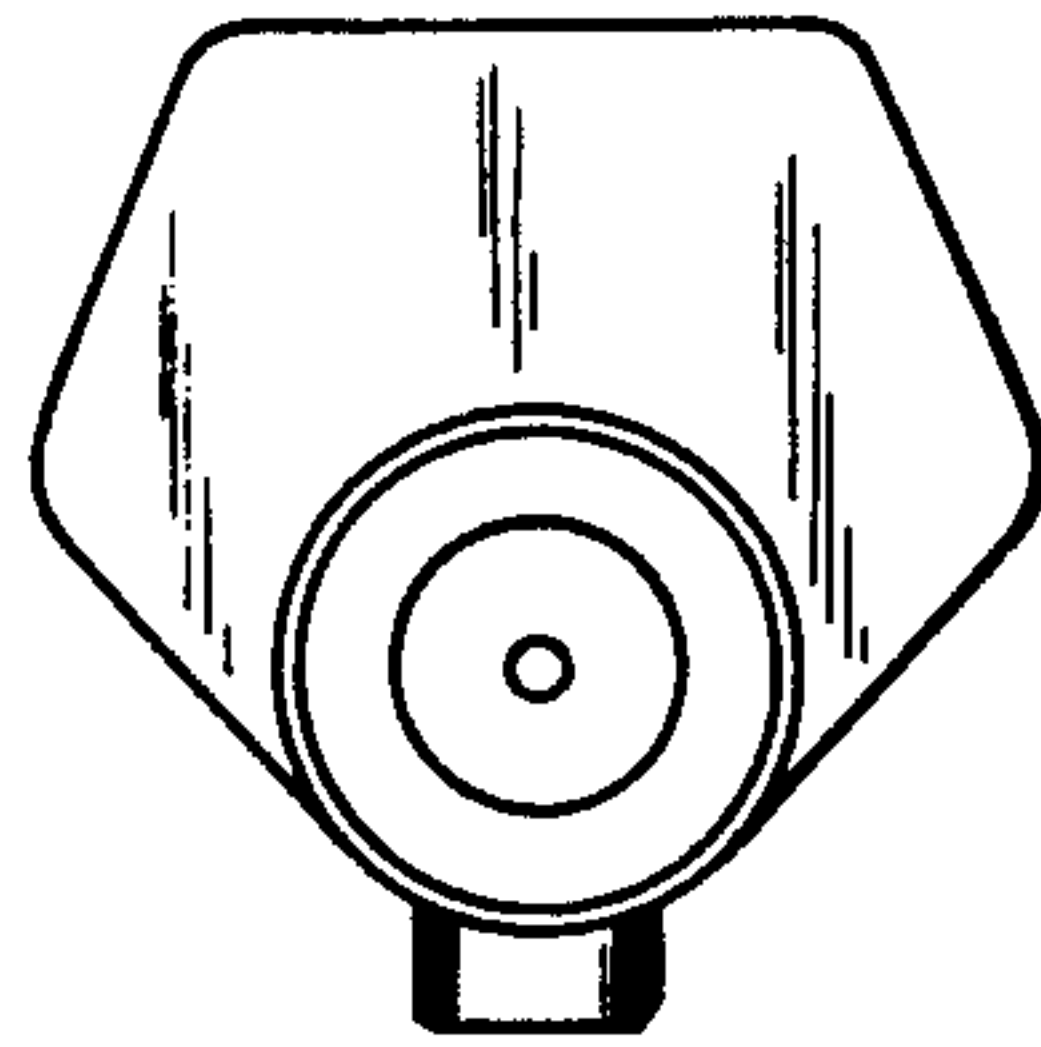


Fig-7