

[54] GREENHOUSE POTTING BENCH

[75] Inventor: Louis J. Christen, Jr., St. Louis, Mo.

[73] Assignee: Christen Incorporated, St. Louis, Mo.

[**] Term: 14 Years

[21] Appl. No.: 627,511

[22] Filed: Oct. 31, 1975

[51] Int. Cl. D6-03

[52] U.S. Cl. D6/179

[58] Field of Search D6/164-179, D6/181-186, 158, 159; D12/29

[56] References Cited

U.S. PATENT DOCUMENTS

- D. 212,791 11/1968 O'Donovan D6/179 X
- D. 222,888 1/1972 Lax D6/164

OTHER PUBLICATIONS

Aloe Furn. & Equipmt. Cat. No. 230, © 1966, p. 55, Pediatric Table.

Primary Examiner—Bruce W. Dunkins
Attorney, Agent, or Firm—Ralph W. Kalish

[57] CLAIM

The ornamental design for a greenhouse potting bench, as shown.

DESCRIPTION

FIG. 1 is a front elevational view of a greenhouse potting bench showing my new design.

FIG. 2 is a top plan view thereof.

FIG. 3 is a rear view.

FIG. 4 is an end elevational view from the right hand side of FIG. 1.

FIG. 5 is a front perspective view thereof.

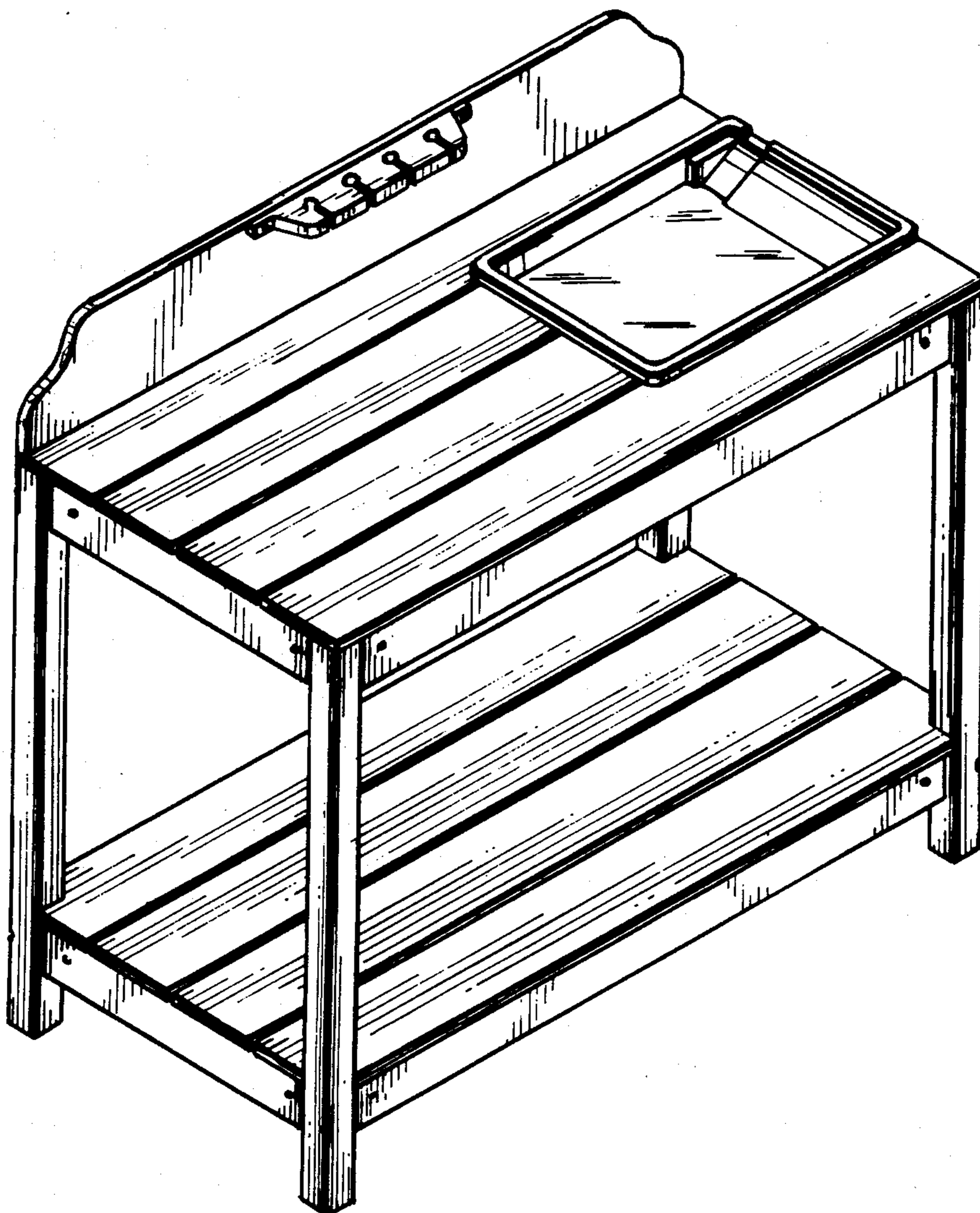


FIG. 1

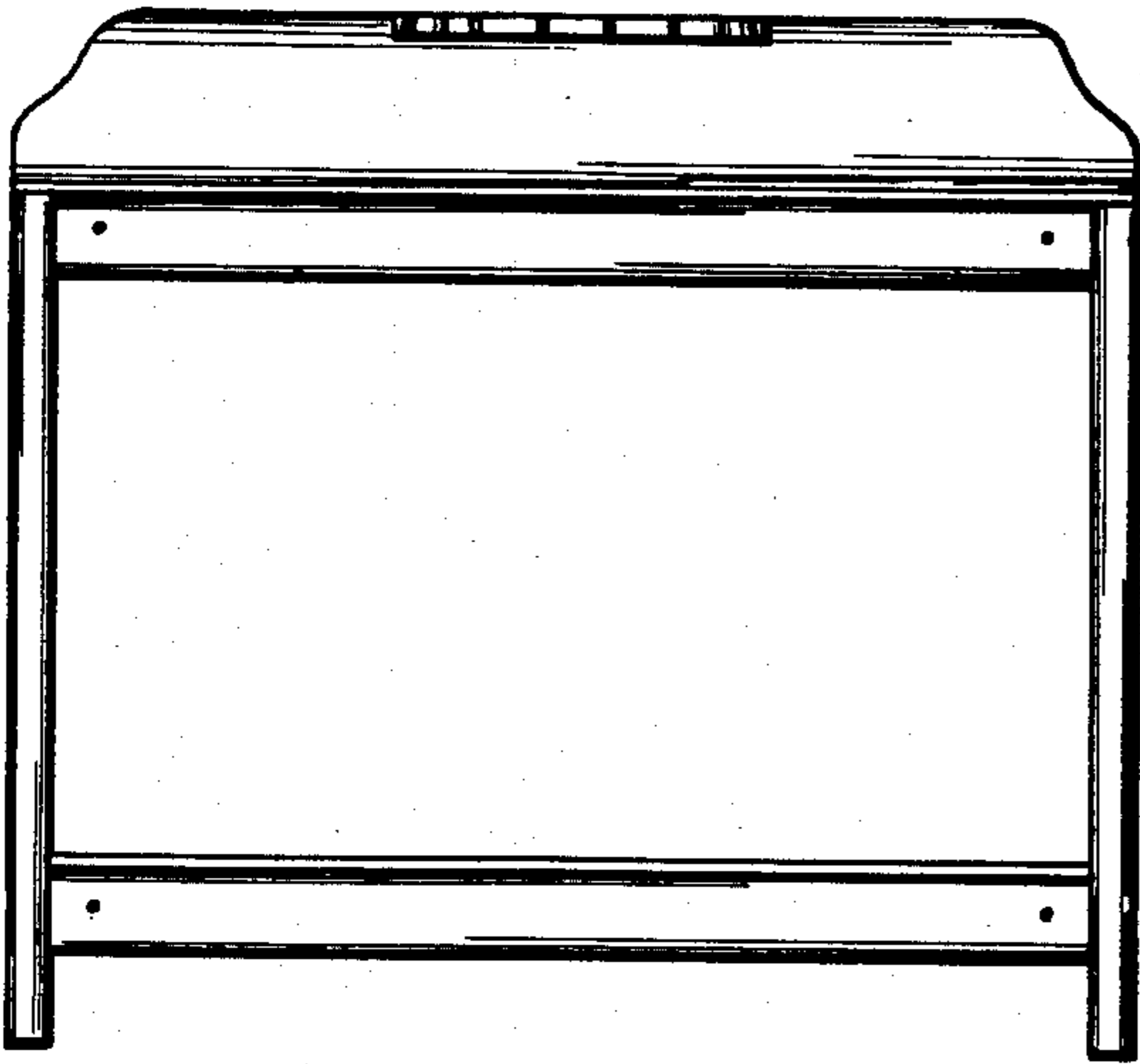


FIG. 2

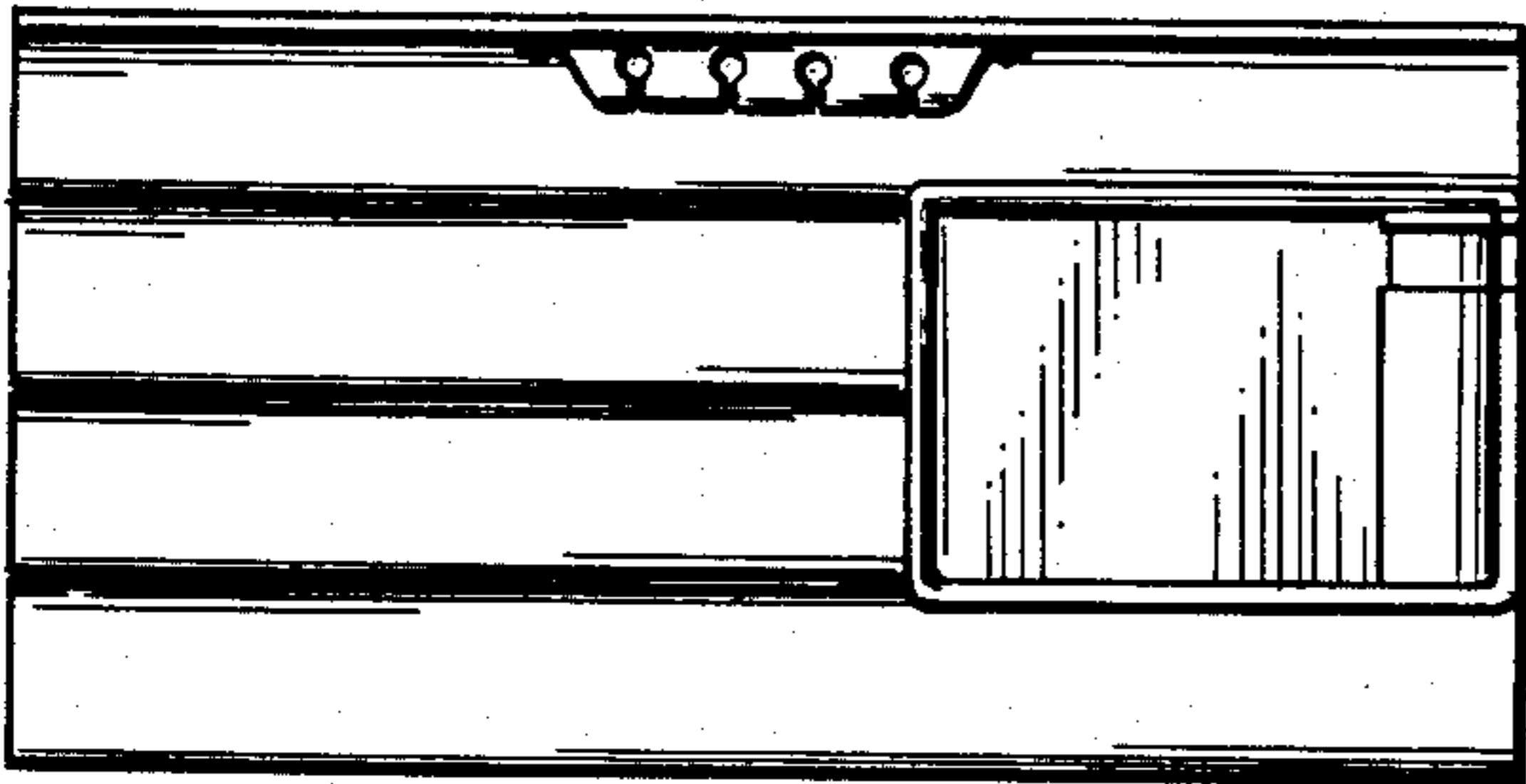


FIG. 3

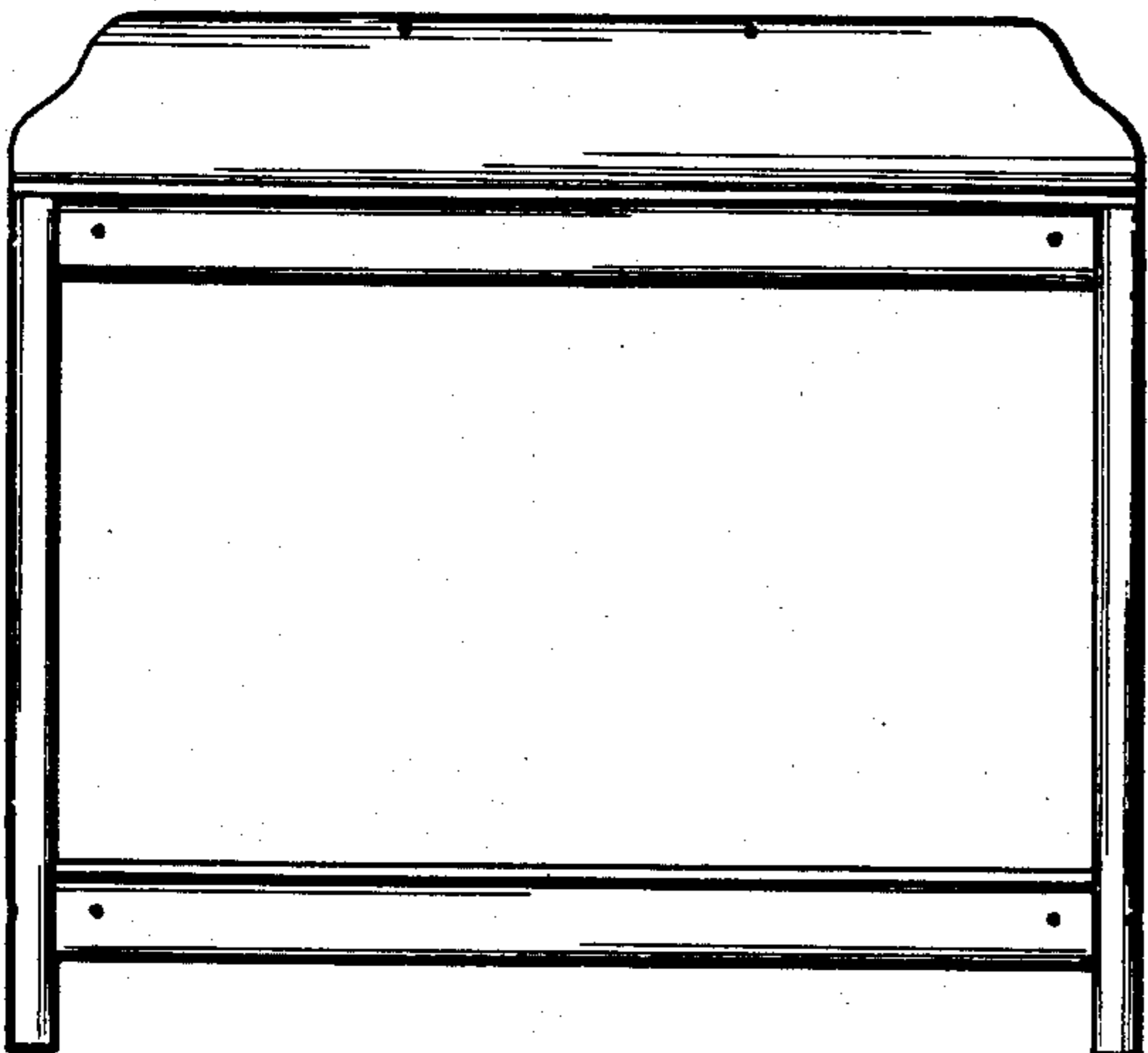
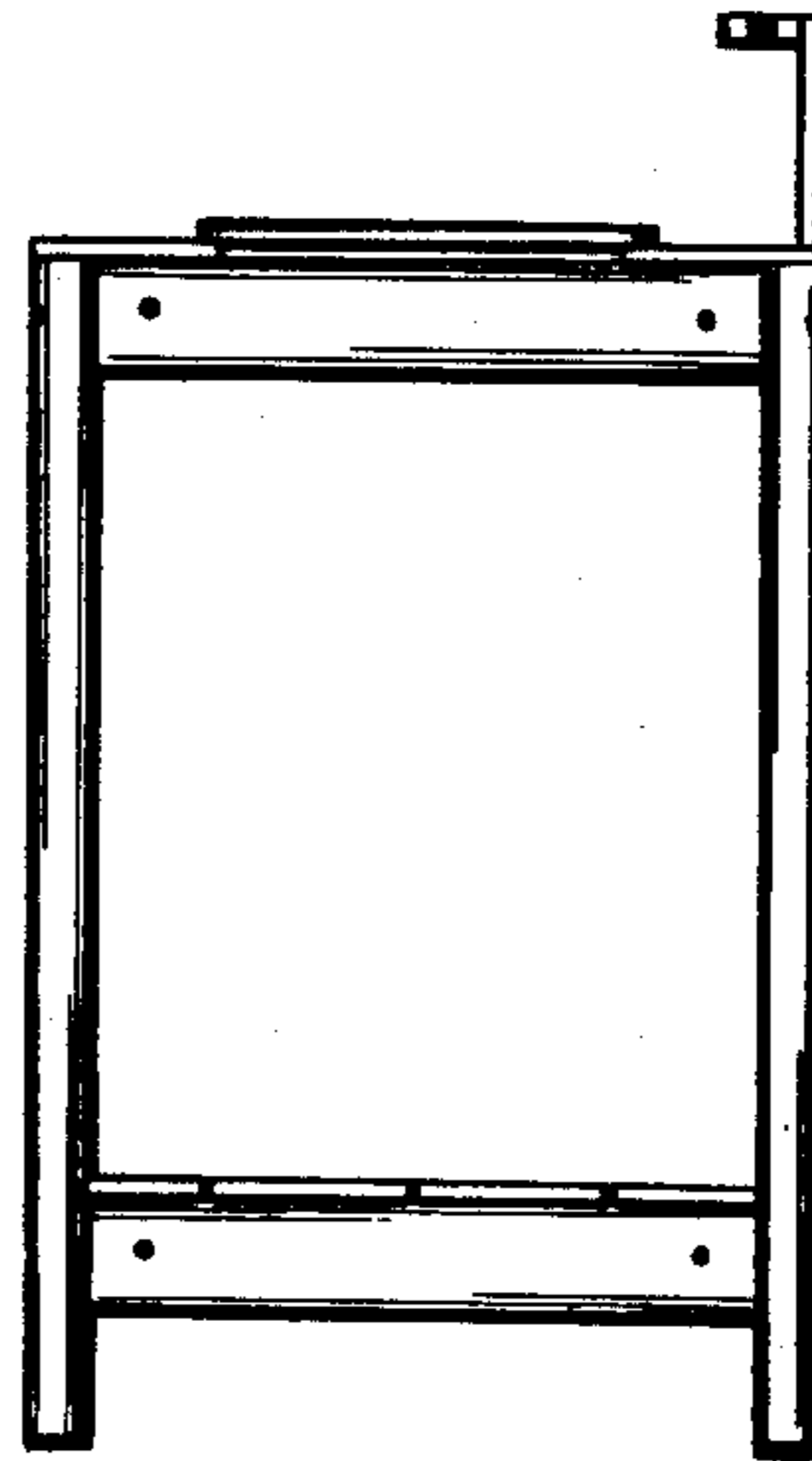


FIG. 4



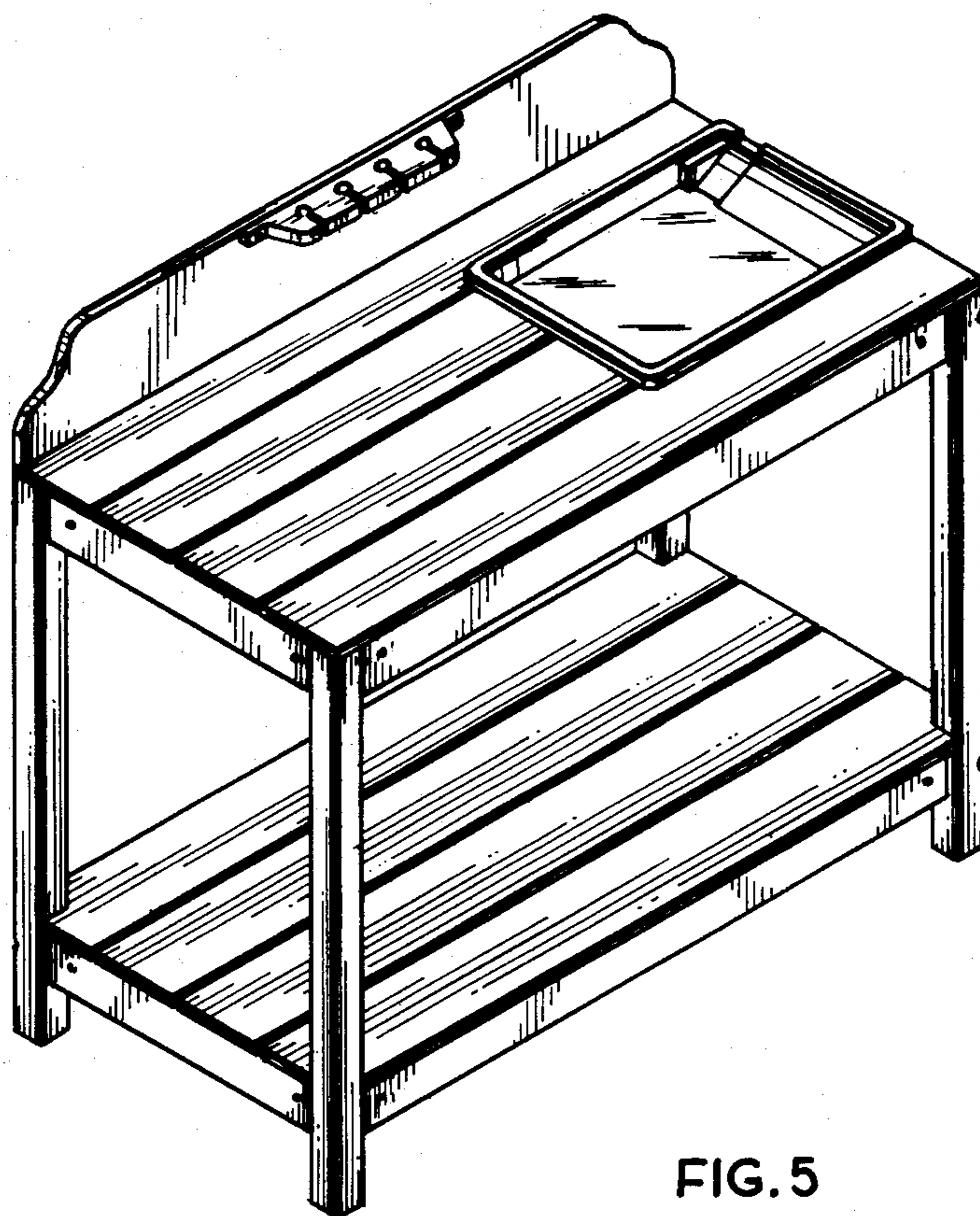


FIG. 5