

[54] SHELF FOR A WALL SYSTEM

[75] Inventor: Janet Schweitzer, New York, N.Y.

[73] Assignee: The Pace Collection, Inc., New York, N.Y.

[**] Term: 14 Years

[21] Appl. No.: 690,606

[22] Filed: May 14, 1976

Related U.S. Application Data

[62] Division of Ser. No. 654,537, Feb. 2, 1976, Pat. No. Des. 242,513, which is a division of Ser. No. 436,487, Jan. 25, 1974, Pat. No. Des. 239,225.

[51] Int. Cl. D6-04
[52] U.S. Cl. D6/132
[58] Field of Search D7/114, 132, 136, 173, D7/181, 184, 191; 108/27, 59, 152; 211/88, 90

[56]

References Cited

U.S. PATENT DOCUMENTS

3,299,839	1/1967	Nordbak	108/152
D. 181,726	12/1957	Greerson	D6/184
D. 214,923	8/1969	Schier	D6/132
D. 238,528	1/1976	Crawford	D6/184

Primary Examiner—Wallace R. Burke
Assistant Examiner—B. J. Bullock
Attorney, Agent, or Firm—Harvey W. Mortimer

[57]

CLAIM

The ornamental design for a shelf for a wall system, substantially as shown and described.

DESCRIPTION

FIG. 1 is a perspective view of a shelf for a wall system showing my new design, the two pole-like supports being shown in broken lines for illustrative purposes only;
FIG. 2 is a right side view of the shelf of FIG. 1, the left side view being essentially identical;
FIG. 3 is a front view of the shelf of FIG. 1;
FIG. 4 is a plan view of the shelf of FIG. 1; and
FIG. 5 is a bottom view of the shelf of FIG. 1.
The dotted lines show the environment of the shelf and are not considered part of the claim.

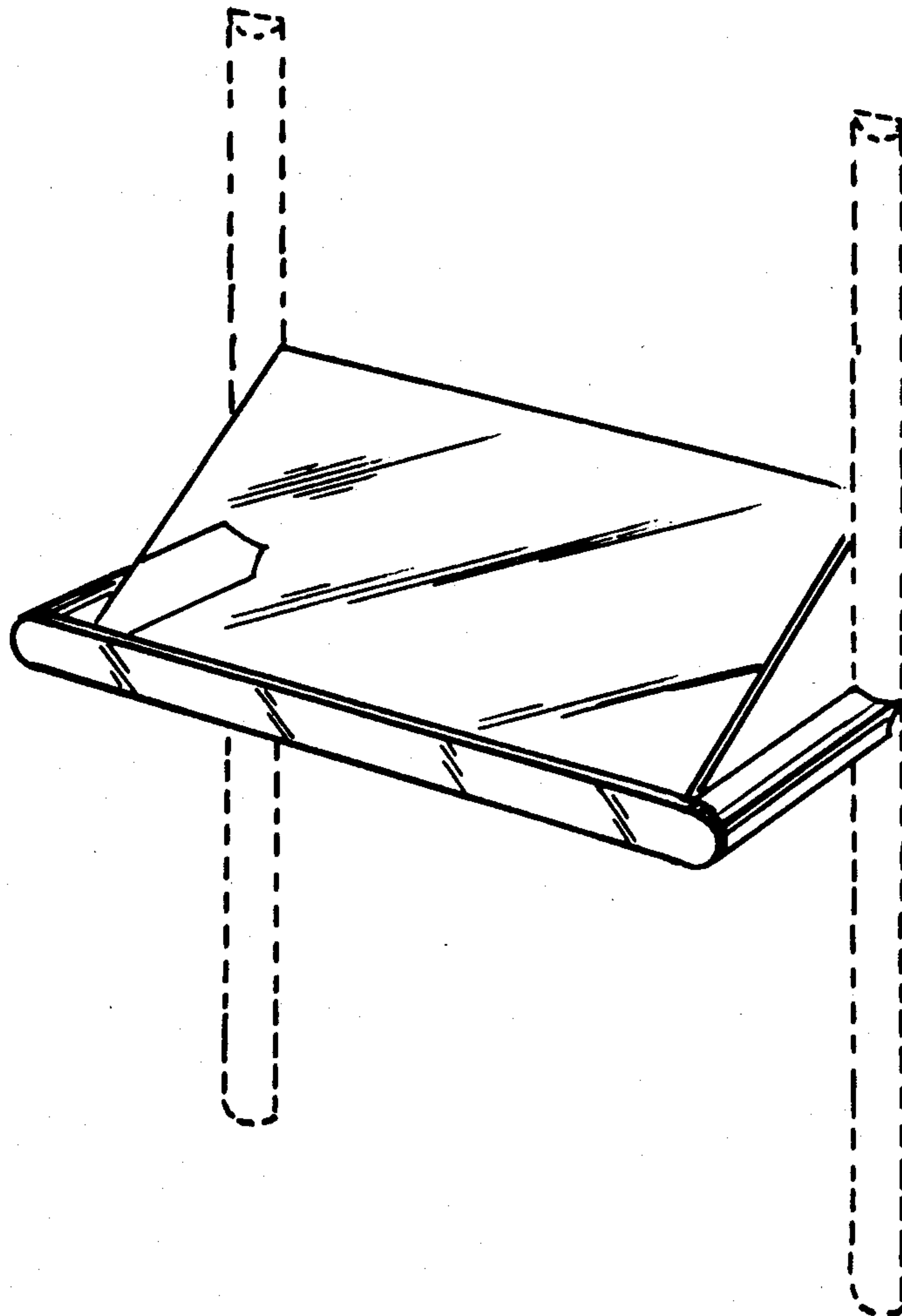


FIG. 1

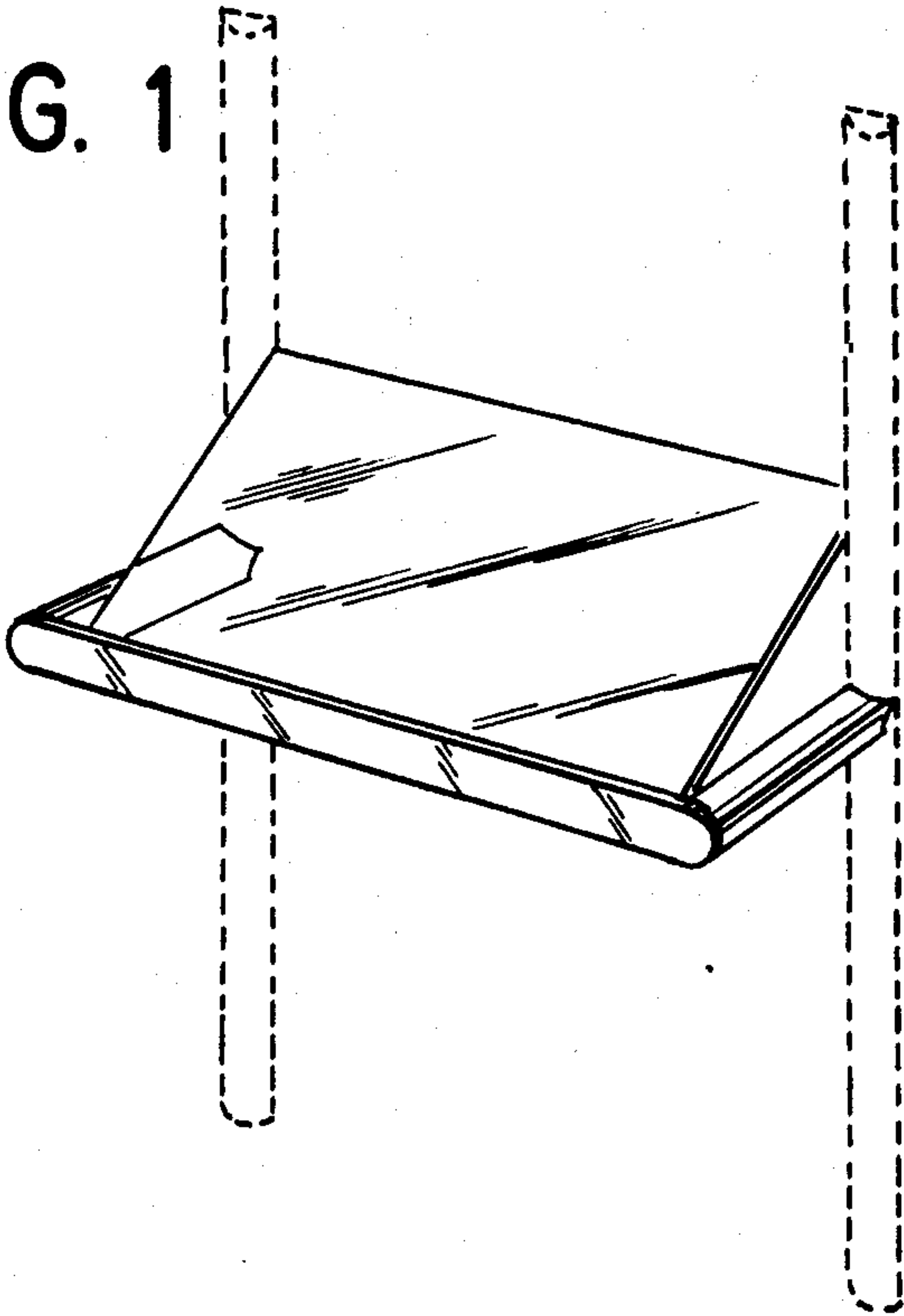


FIG. 2

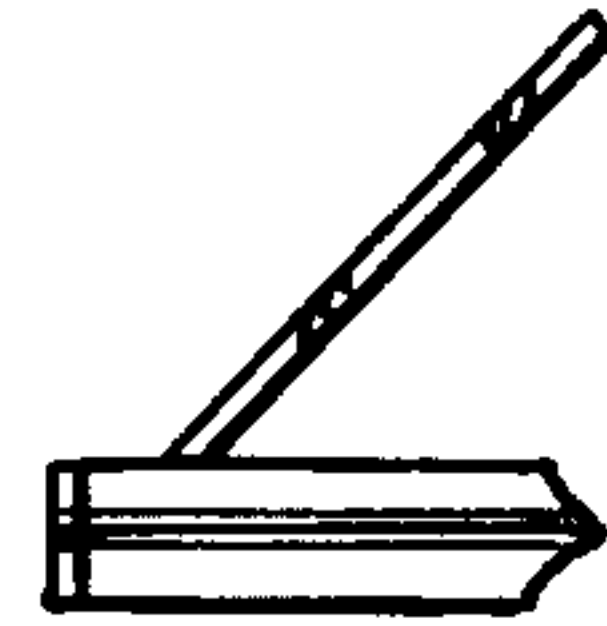


FIG. 3

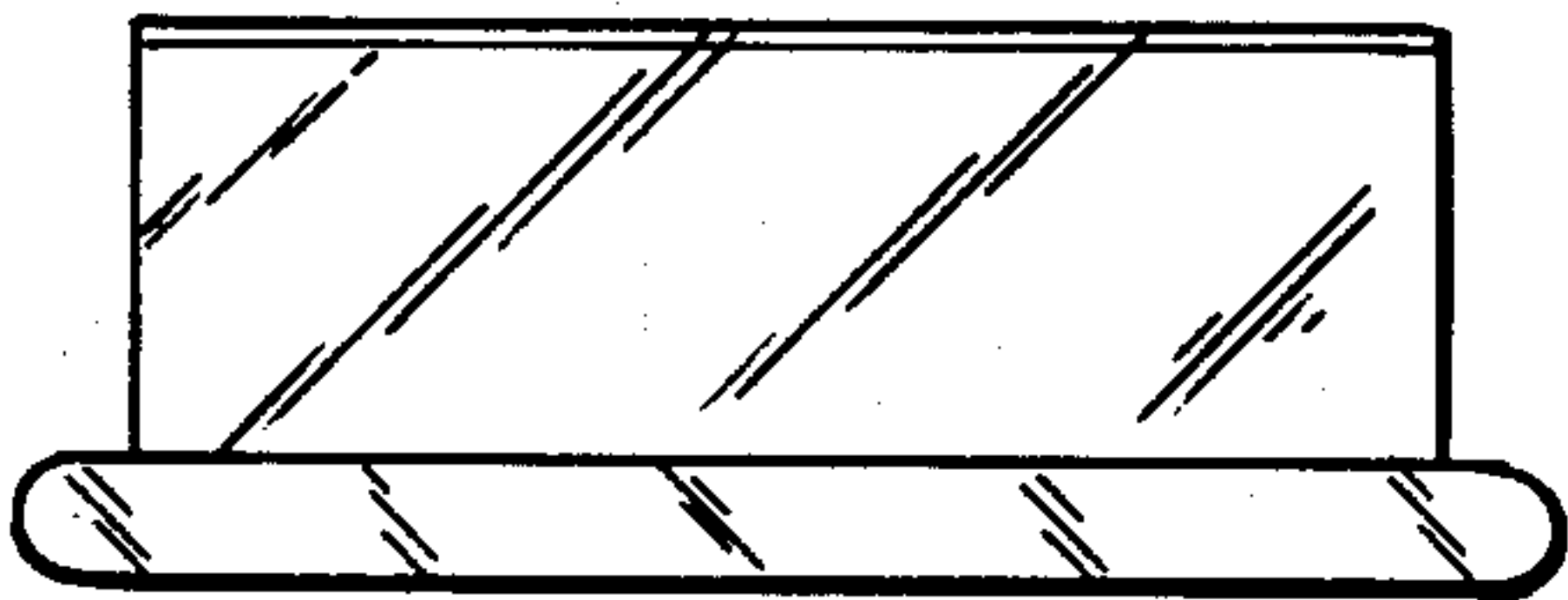


FIG. 4

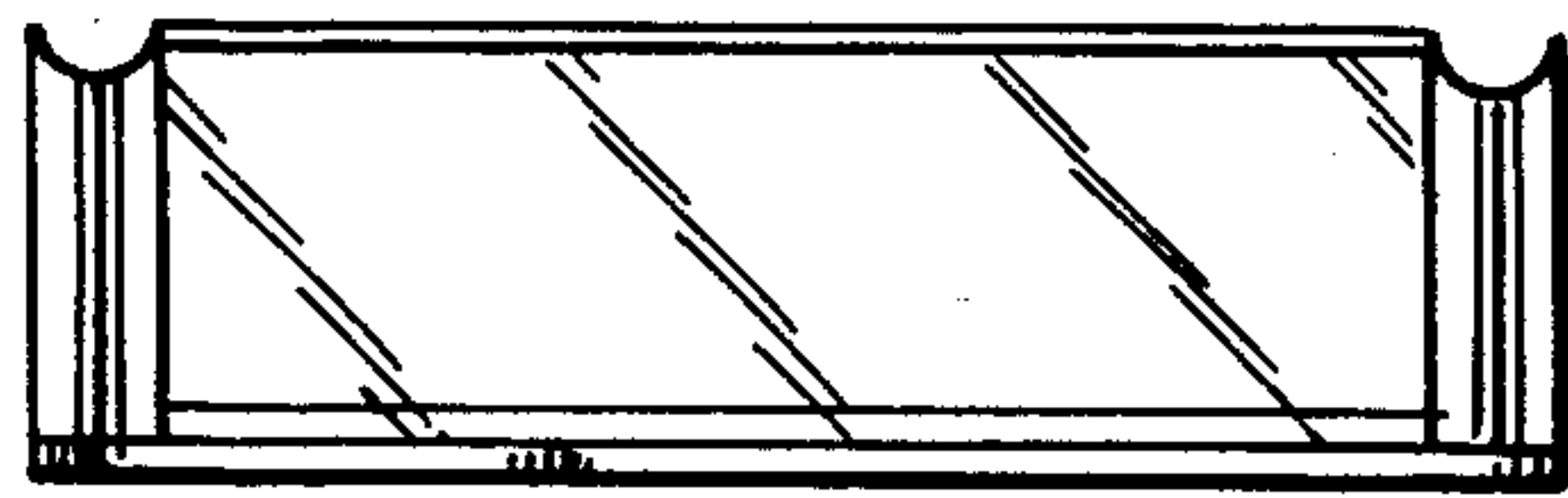


FIG. 5

