

[54] SHELF FOR A WALL SYSTEM

[75] Inventor: Janet Schweitzer, New York, N.Y.

[73] Assignee: The Pace Collection, Inc., New York, N.Y.

[\*\*] Term: 14 Years

[21] Appl. No.: 689,351

[22] Filed: May 14, 1976

Related U.S. Application Data

[62] Division of Ser. No. 654,537, Feb. 2, 1976, Pat. No. Des. 242,513, which is a division of Ser. No. 436,487, Jan. 25, 1974, Pat. No. Des. 239,225.

[51] Int. Cl. .... D6-04

[52] U.S. Cl. .... D6/132

[58] Field of Search ..... D6/114, 132, 136, 173, D6/181, 184, 191; 108/27, 59, 152; 211/88, 90

[56] References Cited

U.S. PATENT DOCUMENTS

3,299,839	1/1967	Nordbak .....	108/152
D. 181,726	12/1957	Greeson .....	D6/184
D. 214,923	8/1969	Schier .....	D6/132
D. 238,528	1/1976	Crawford .....	D6/184

Primary Examiner—Wallace R. Burke  
Assistant Examiner—B. J. Bullock  
Attorney, Agent, or Firm—Harvey W. Mortimer

[57] CLAIM

The ornamental design for a shelf for a wall system, substantially as shown and described.

DESCRIPTION

FIG. 1 is a perspective view of a shelf for a wall system showing my new design, the two pole-like supports being shown in broken lines for illustrative purposes only;

FIG. 2 is a right side view of the shelf of FIG. 1, the left side view being essentially identical;

FIG. 3 is a front view of the shelf of FIG. 1;

FIG. 4 is a plan view of the shelf of FIG. 1; and

FIG. 5 is a bottom view of the shelf of FIG. 1.

The dotted lines show the environment of the shelf and are not considered part of the claim.

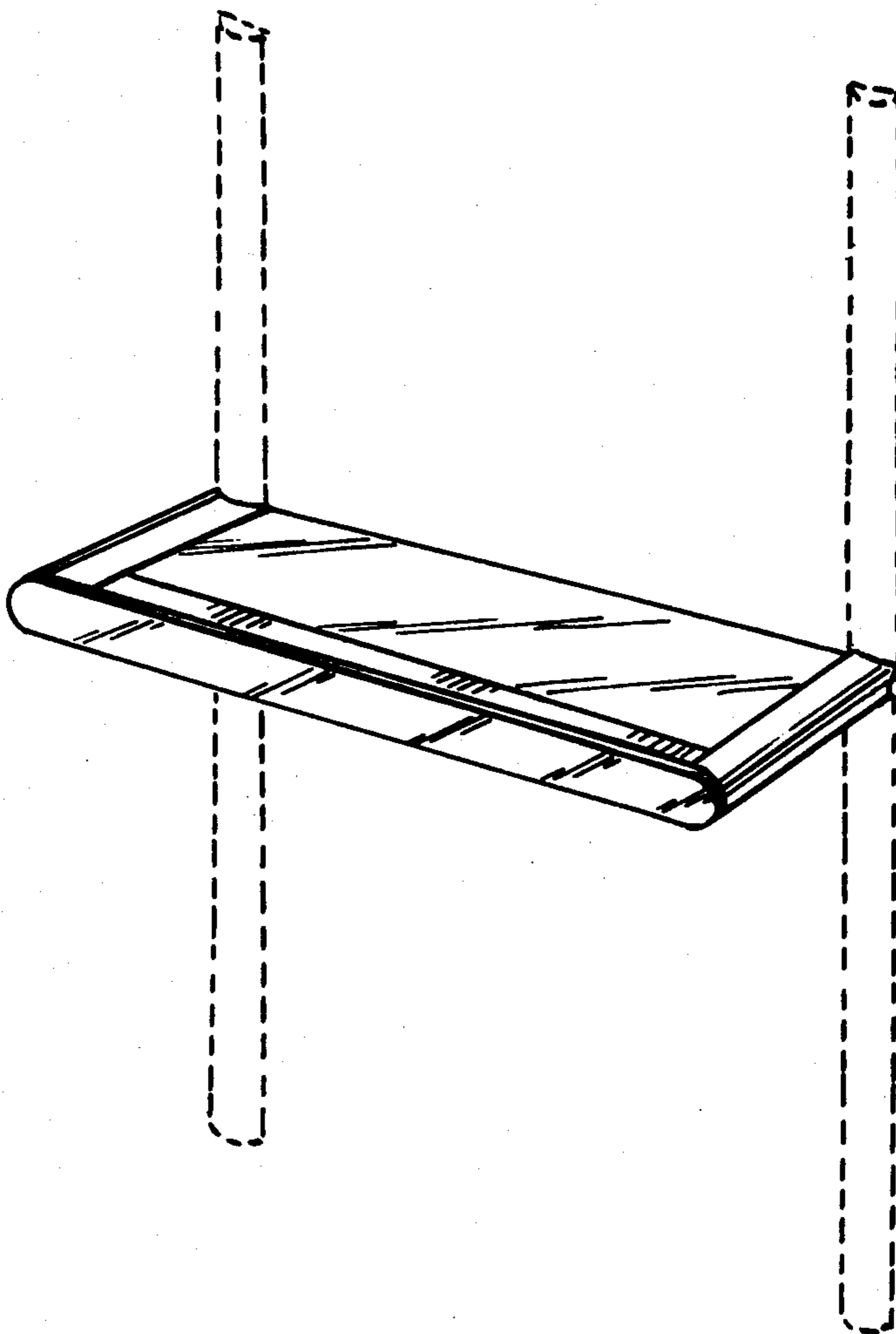


FIG. 1

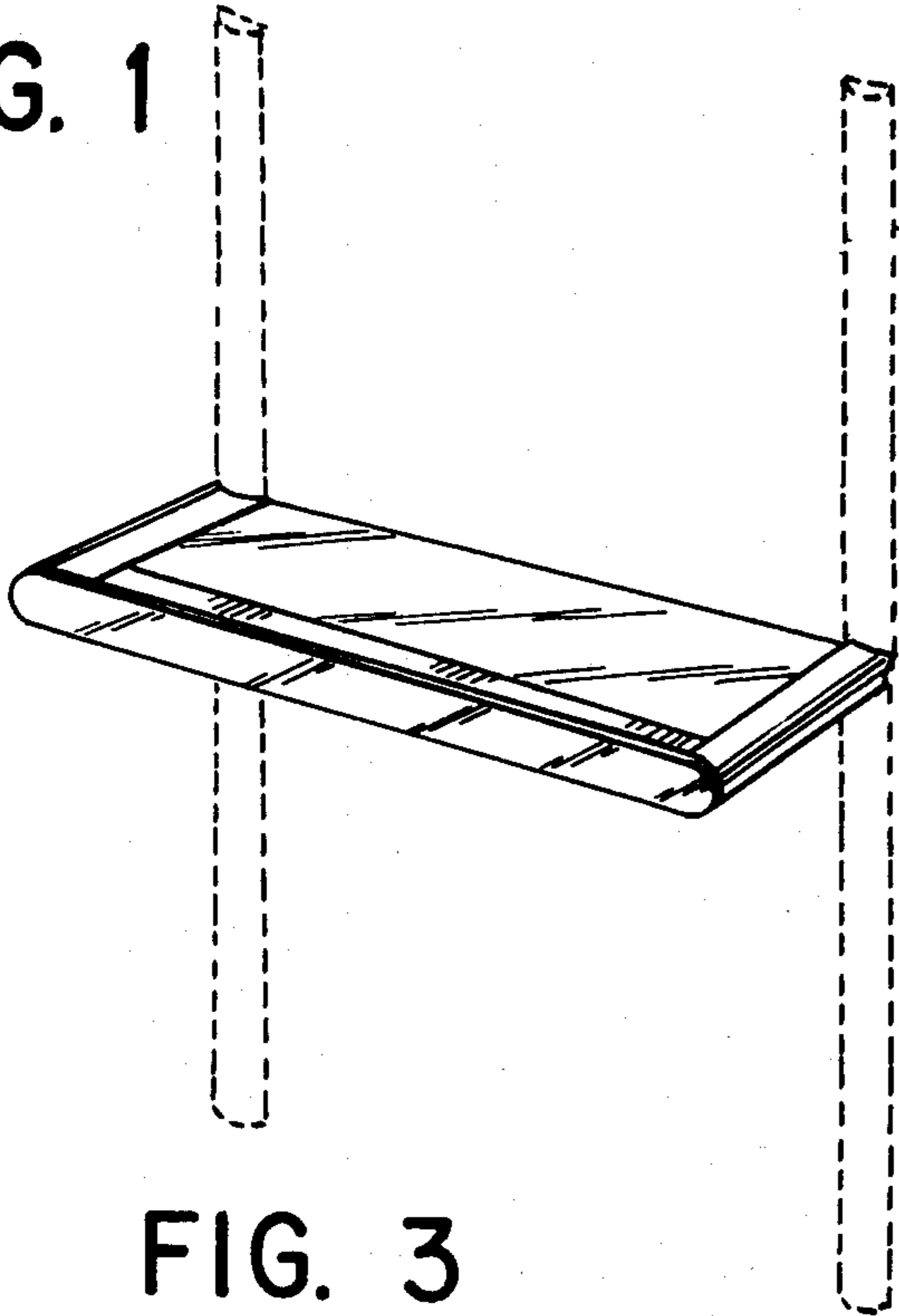


FIG. 2

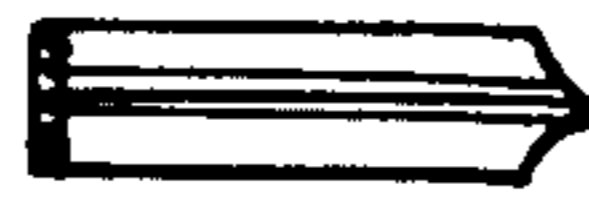


FIG. 3



FIG. 4

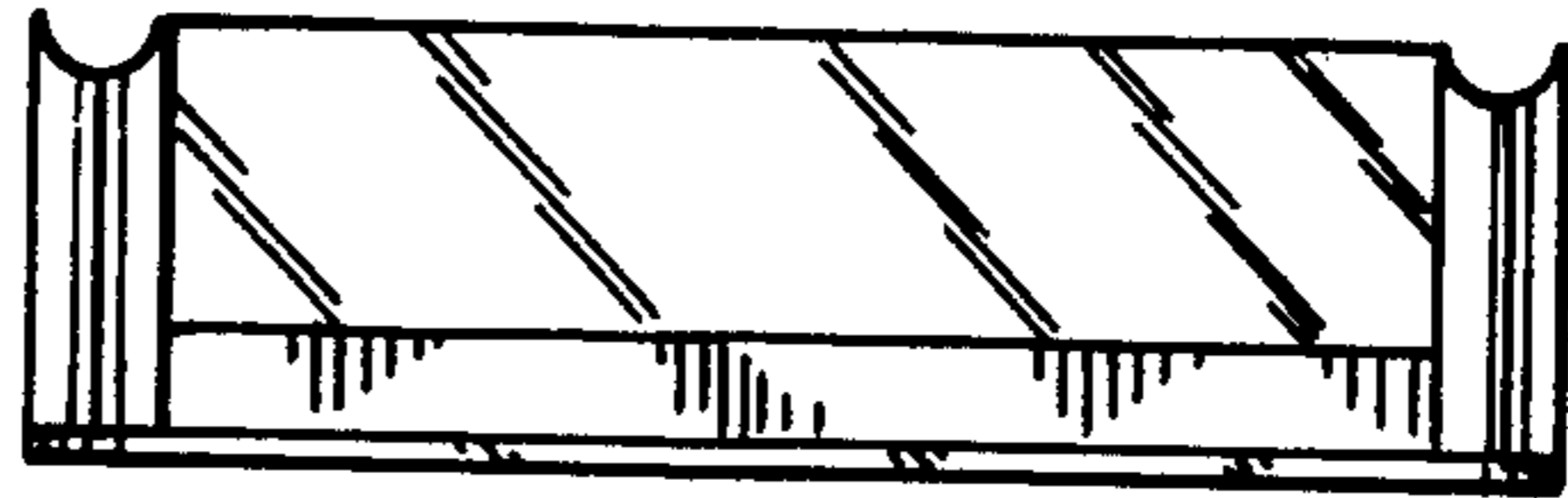


FIG. 5

