

[54] UNDERWATER BELT AND HOSE CLIP

[76] Inventors: **Thomas J. Bardoni**, 459 Poplar, Wyandotte, Mich. 48192; **William Markarian**, 5970 Weddel, Taylor, Mich. 48180

[\*\*] Term: 14 Years

[21] Appl. No.: 593,772

[22] Filed: July 7, 1975

[51] Int. Cl. .... D2-07

[52] U.S. Cl. .... D2/400

[58] Field of Search ..... D2/400, 408, 409, 413, D2/445, 446, 381, 447, 448; 24/3 L, 3 J, 77, 79, 198

[56] References Cited

U.S. PATENT DOCUMENTS

1,965,415	7/1934	Hirsh .....	24/186
3,636,597	1/1972	Barnickel .....	24/198
D. 28,506	4/1898	Levinson .....	D2/401
D. 85,390	10/1931	Paladino .....	D2/402
D. 115,940	8/1939	Poux .....	24/205.15 H

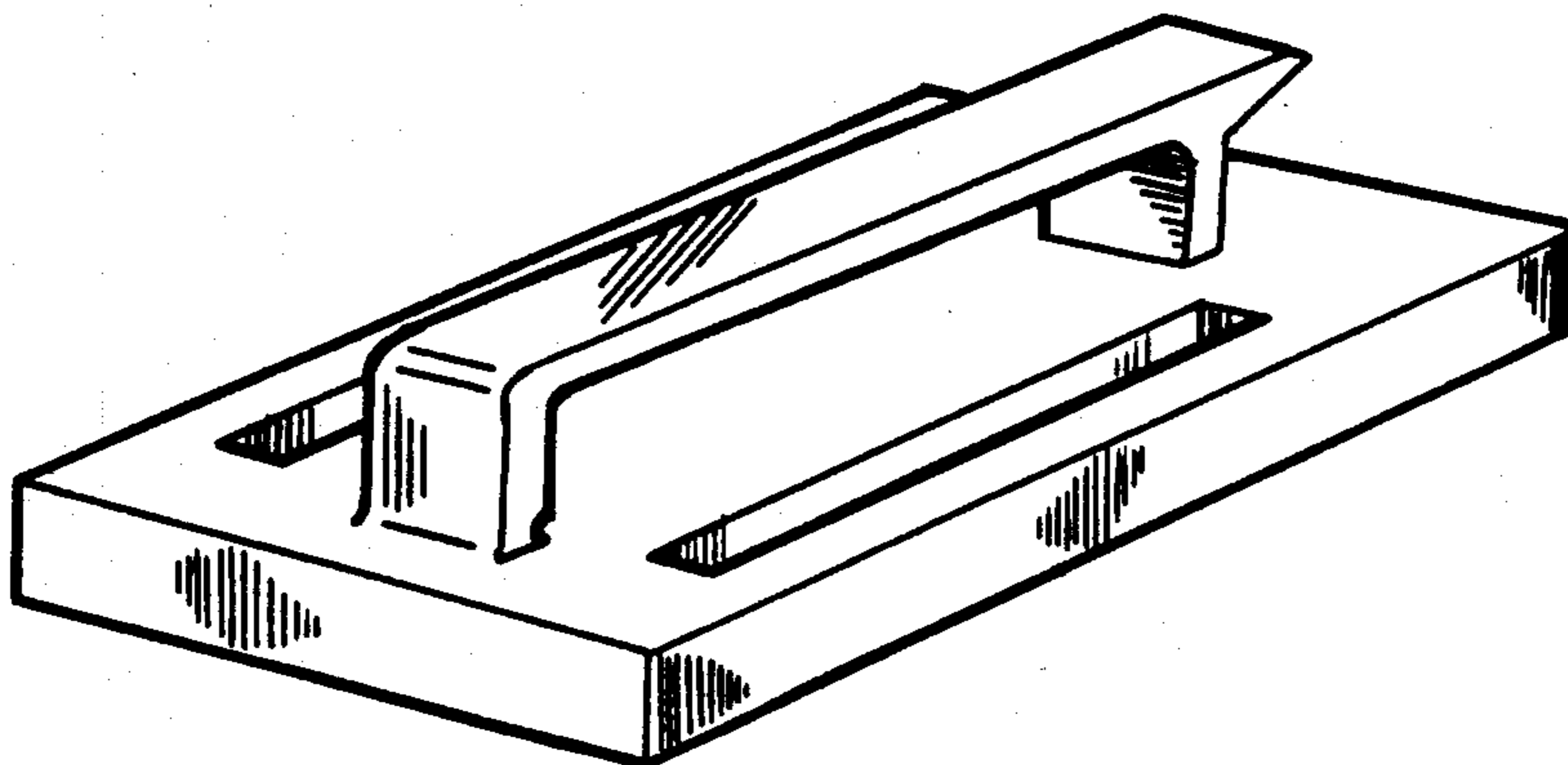
Primary Examiner—Nelson C. Holtje  
Attorney, Agent, or Firm—Andrew R. Basile

[57] CLAIM

The ornamental design for an underwater belt and hose clip, as shown.

DESCRIPTION

FIG. 1 is a top perspective view of an underwater belt and hose clip showing our new design;  
FIG. 2 is a top plan view thereof;  
FIG. 3 is a front elevational view thereof;  
FIG. 4 is a left side elevational view thereof;  
FIG. 5 is a right side elevational view thereof;  
FIG. 6 is a bottom plan view thereof.



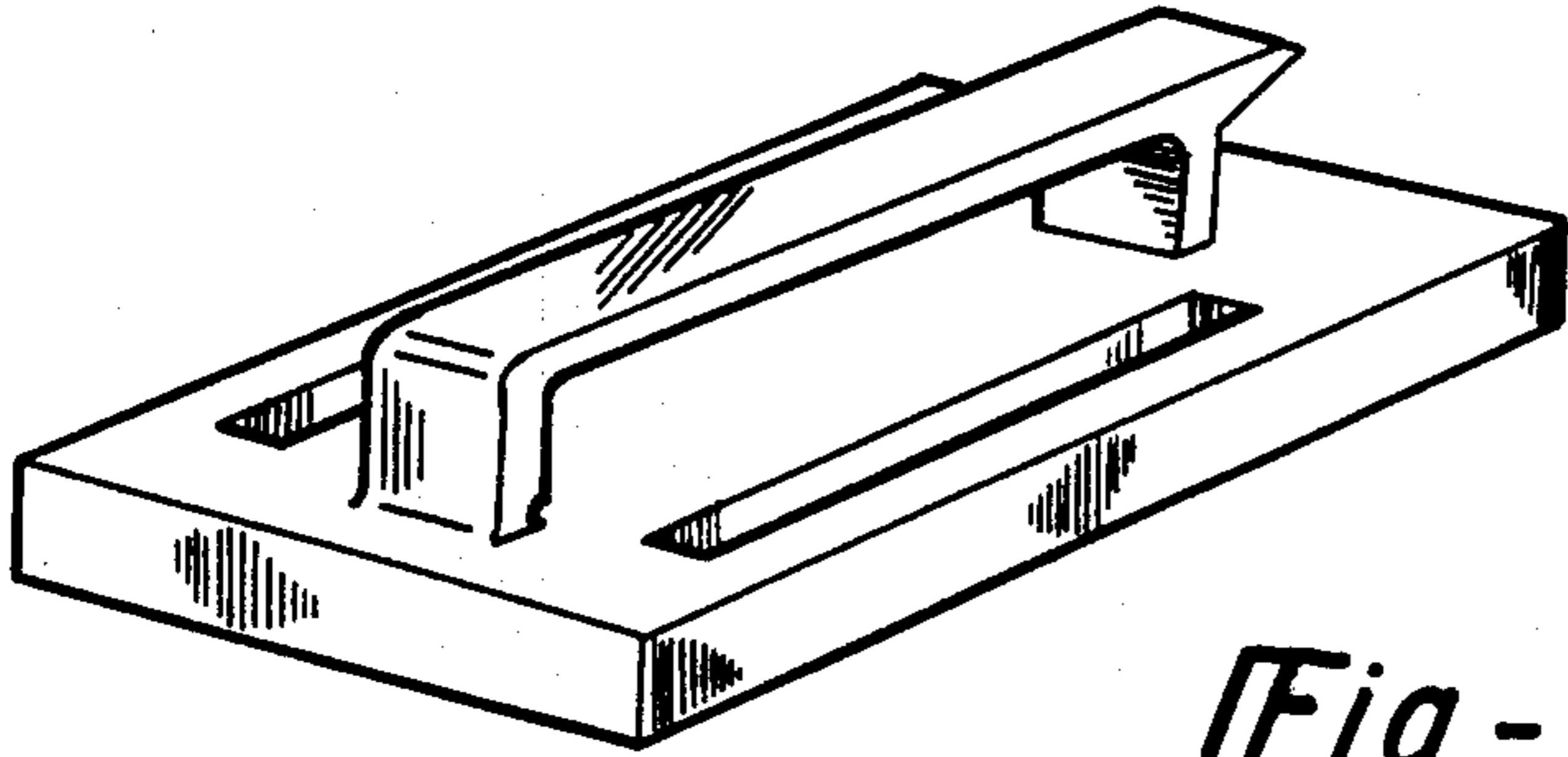


Fig-1

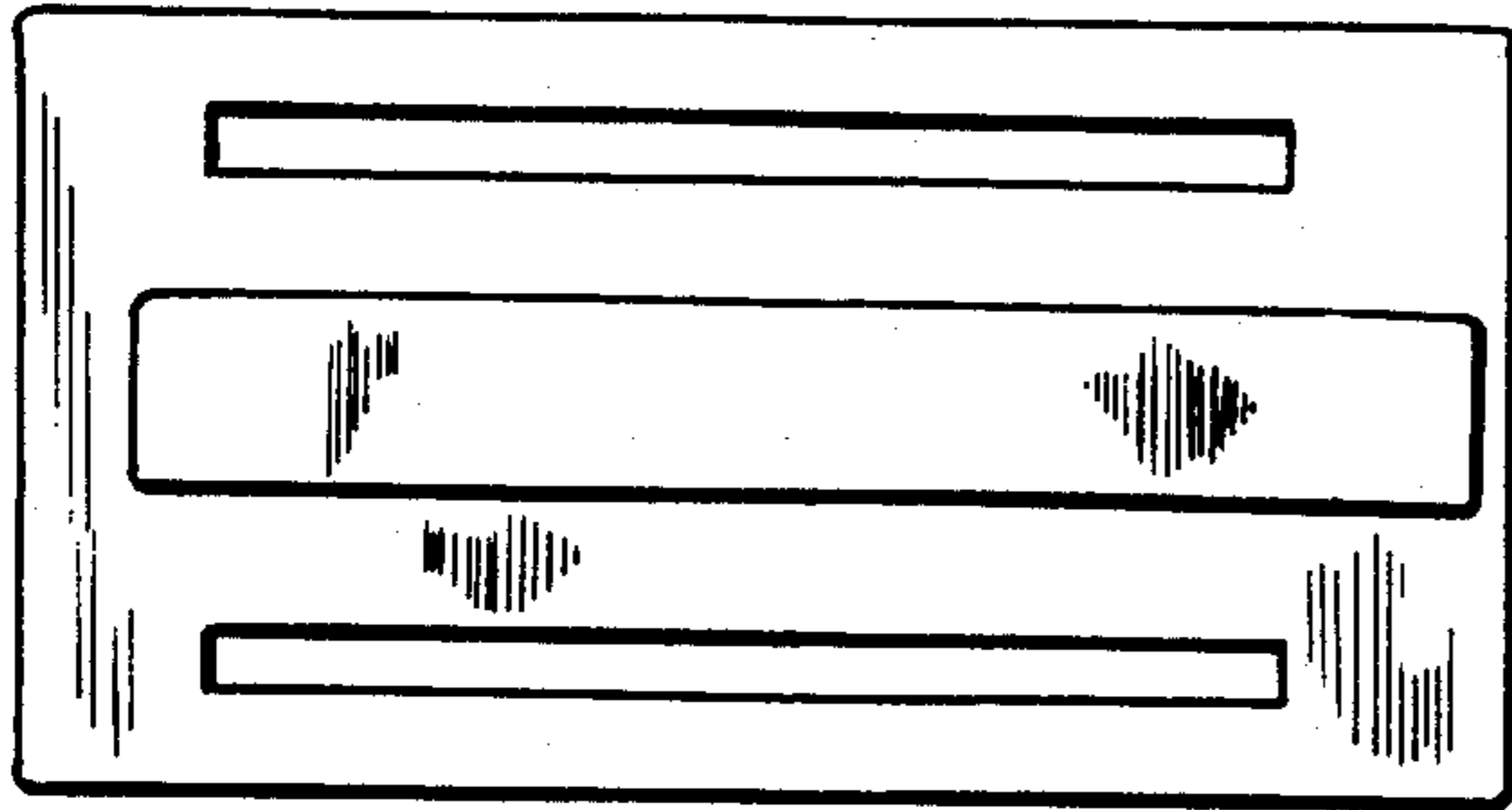


Fig-2

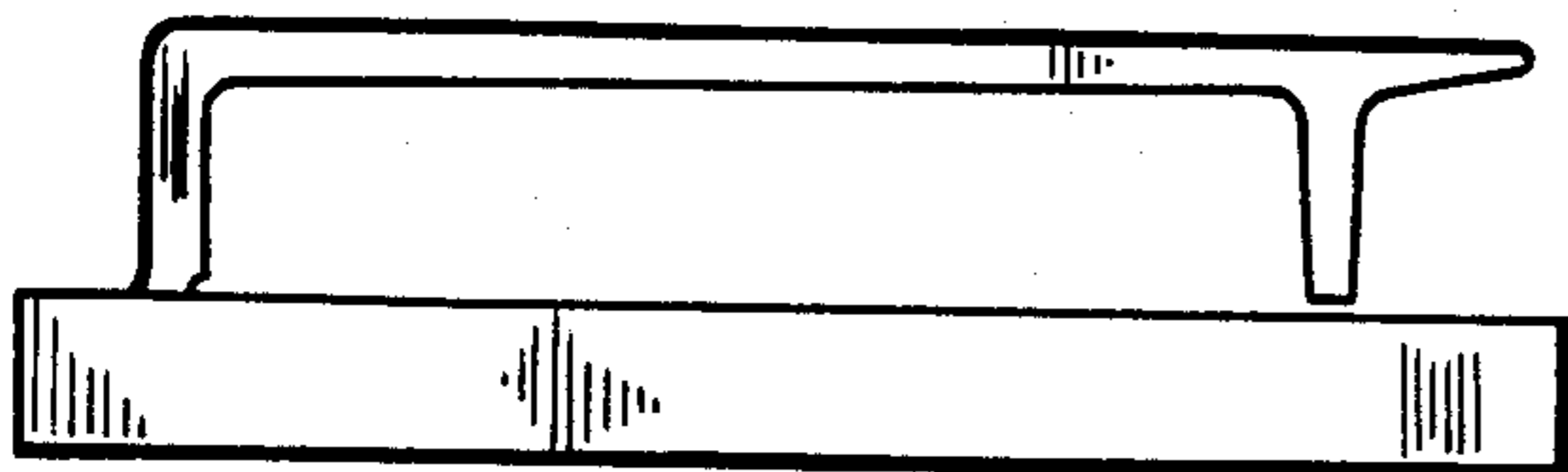


Fig-3

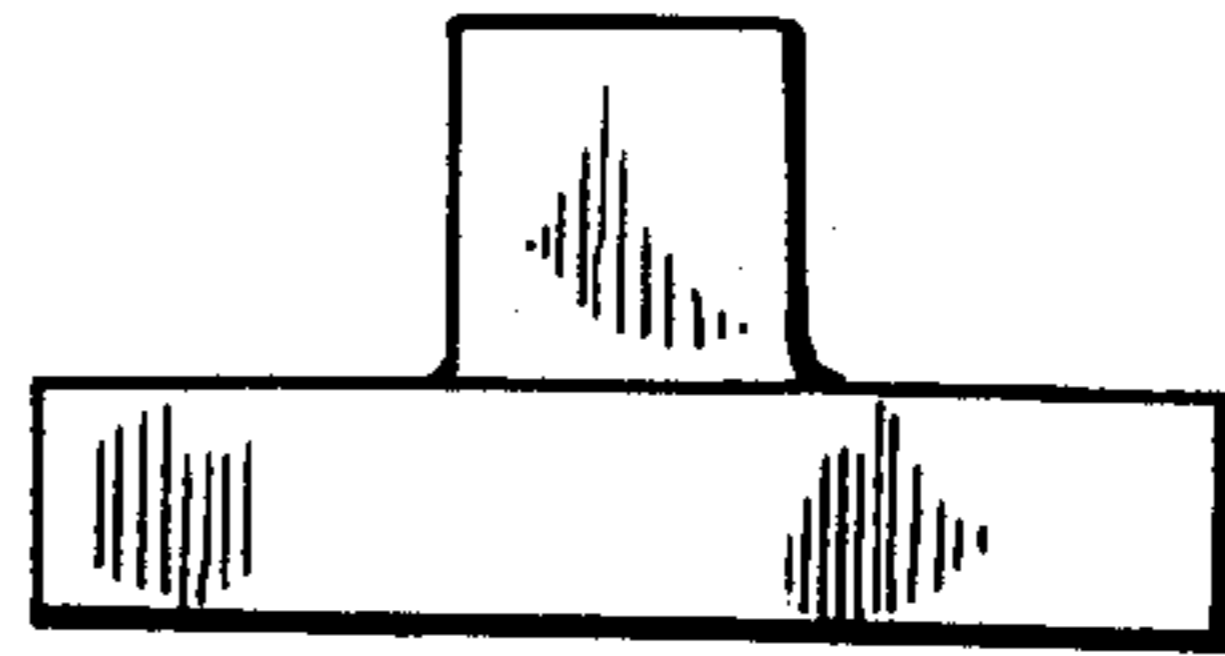


Fig-4



Fig-5

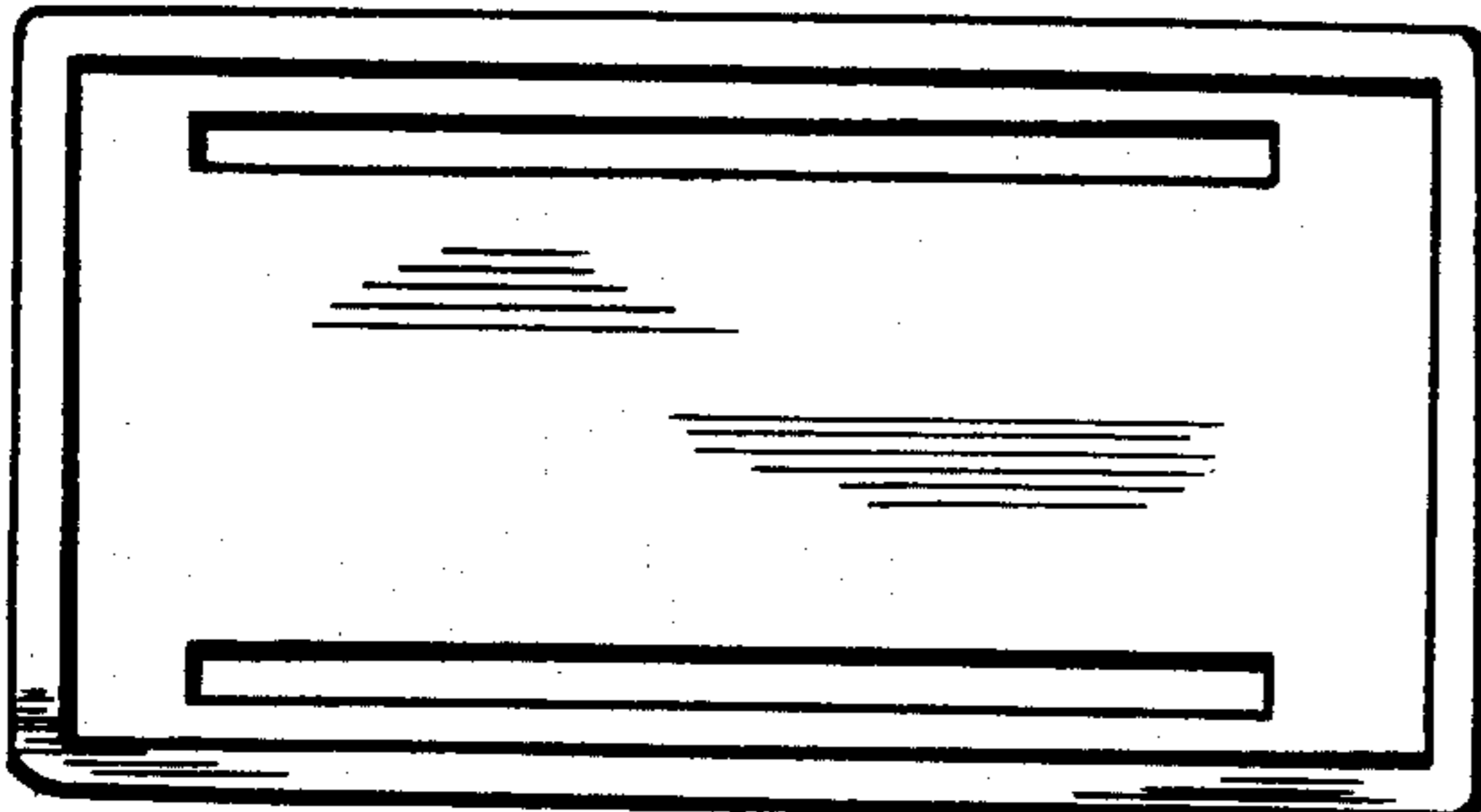


Fig-6