

[54] X-RAY UNIT STAND

[75] Inventor: Carl-Eric Ohlson, Solna, Sweden

[73] Assignee: AO:s Metall & Mek. Verkstad AB, Stockholm, Sweden

[**] Term: 14 Years

[21] Appl. No.: 580,360

[22] Filed: May 23, 1975

[30] Foreign Application Priority Data
Nov. 25, 1974 Sweden 741966

[51] Int. Cl. D24-01

[52] U.S. Cl. D24/2

[58] Field of Search 248/124, 125, 333, 336;
83/1 H; 250/521, 522, 523, 524

[56]

References Cited

U.S. PATENT DOCUMENTS

3,373,285	3/1968	Barrett	248/327
3,776,500	12/1973	Foderaro	248/333
D. 208,284	8/1967	Waine	D83/1 H
D. 209,079	3/1970	Keith	D83/1 H
D. 237,908	12/1975	Amor et al.	D83/1 H

Primary Examiner—Bernard Ansher
Attorney, Agent, or Firm—Martin Fleit

[57]

CLAIM

The ornamental design for an X-ray unit stand, as shown and described.

DESCRIPTION

FIG. 1 is a top perspective view of the X-ray unit stand showing my new design; and FIG. 2 is a bottom perspective view as seen from the opposite side of FIG. 1.

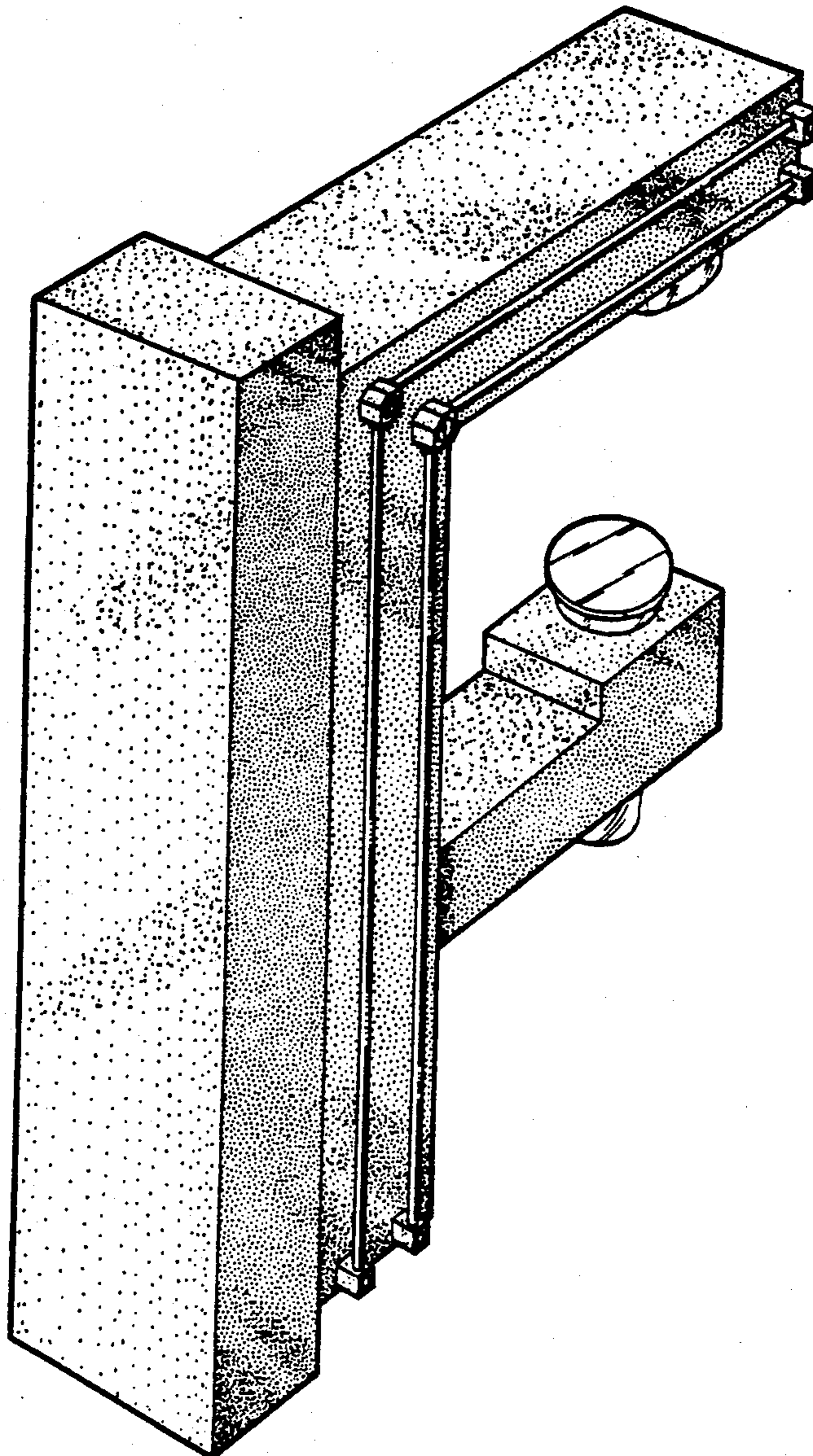


FIG. 1

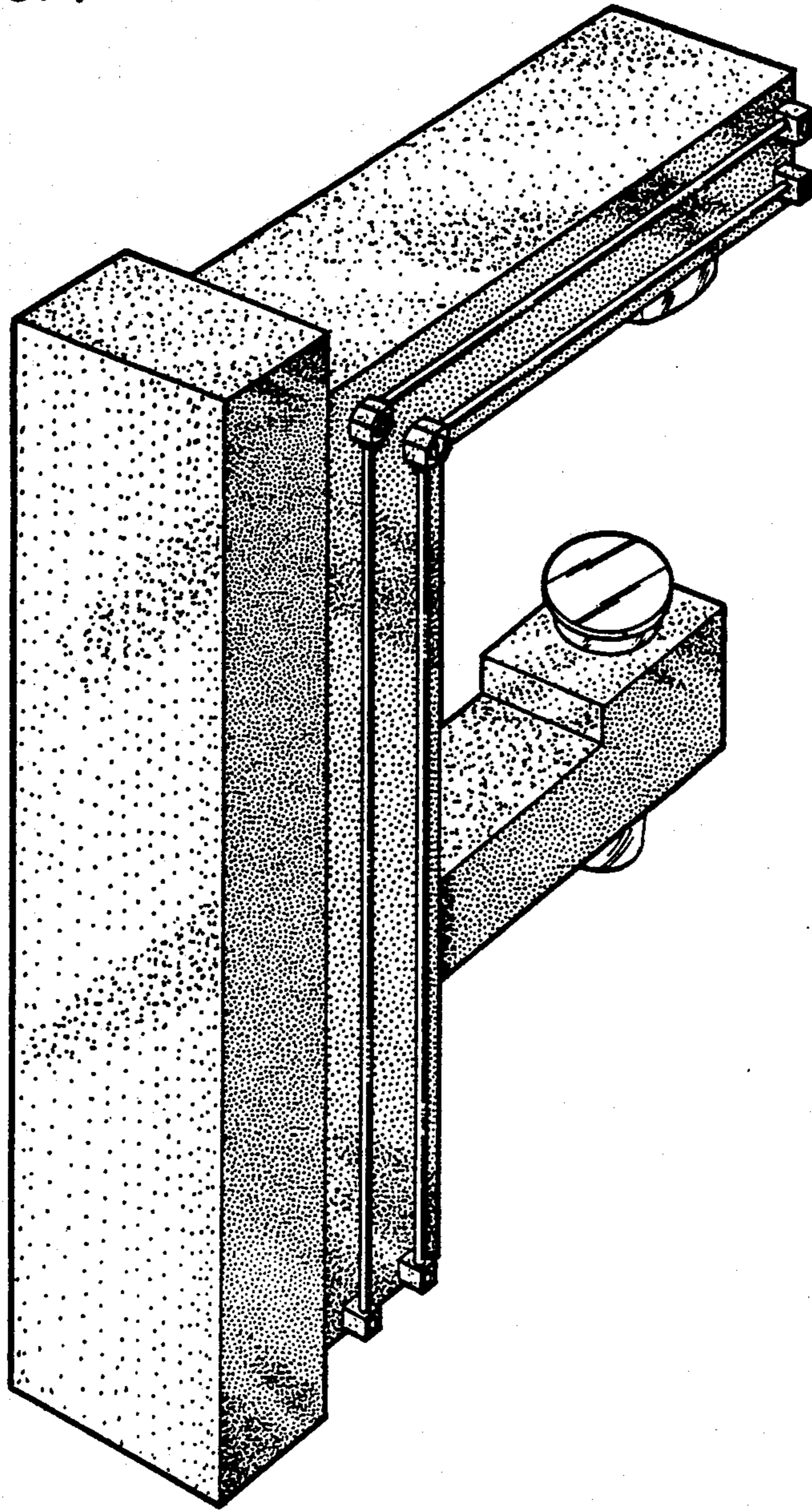


FIG. 2

