

[54] VEHICLE HEADLAMP BEZEL

[76] Inventor: William F. Leahy, 624 Edwards, West Dundee, Ill. 60118

[**] Term: 7 Years

[21] Appl. No.: 661,423

[22] Filed: Feb. 26, 1976

[51] Int. Cl. D26-06

[52] U.S. Cl. D48/32 C

[58] Field of Search D48/32 R, 32 C; 240/7.1 R, 8.3, 151

[56] References Cited

U.S. PATENT DOCUMENTS

1,902,997	3/1933	Godley	240/151
2,888,274	5/1959	Premo	D48/32 C UX
D. 58,126	6/1921	Alexander	D48/32 C
D. 163,775	6/1951	Scott	D48/32 C

Primary Examiner—Wallace R. Burke
Assistant Examiner—Catherine Kemper

Attorney, Agent, or Firm—I. Irving Silverman

[57] CLAIM

The ornamental design for vehicle headlamp bezel, substantially as shown.

DESCRIPTION

FIG. 1 is a front perspective view of a vehicle headlamp bezel showing my new design, a portion of the headlamp housing being shown in broken lines for illustrative purposes only.

FIG. 2 is a front elevational view of the headlamp bezel;

FIG. 3 is a right elevational view thereof;

FIG. 4 is a rear elevational view thereof;

FIG. 5 is a left elevational view thereof;

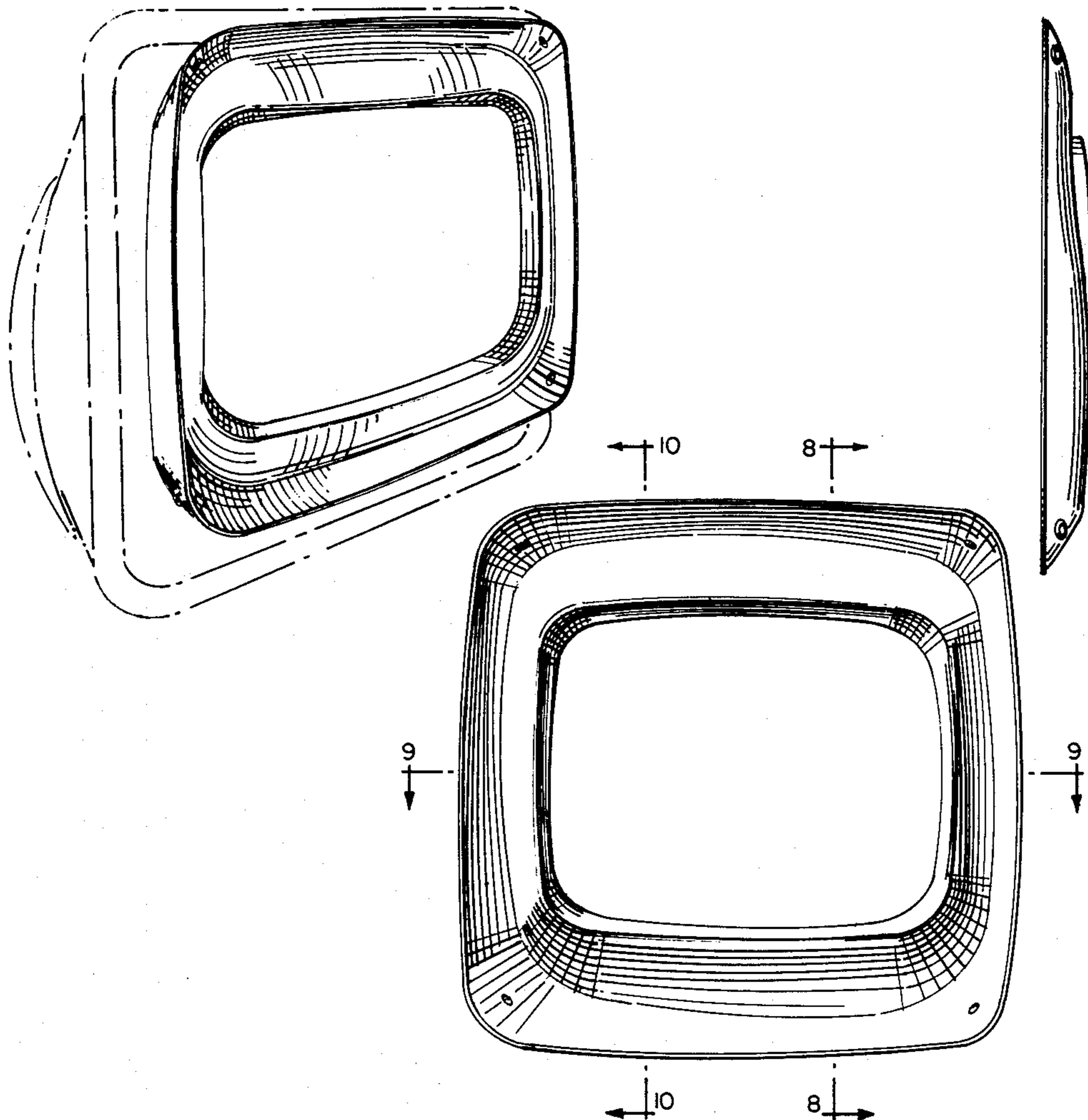
FIG. 6 is a top view thereof;

FIG. 7 is a bottom view thereof;

FIG. 8 is a sectional view taken along lines 8—8 of FIG. 2 and viewed in the direction indicated,

FIG. 9 is a sectional view taken along lines 9—9 of FIG. 2 and viewed in the direction indicated, and,

FIG. 10 is a sectional view taken along lines 10—10 of FIG. 2 and viewed in the direction indicated.



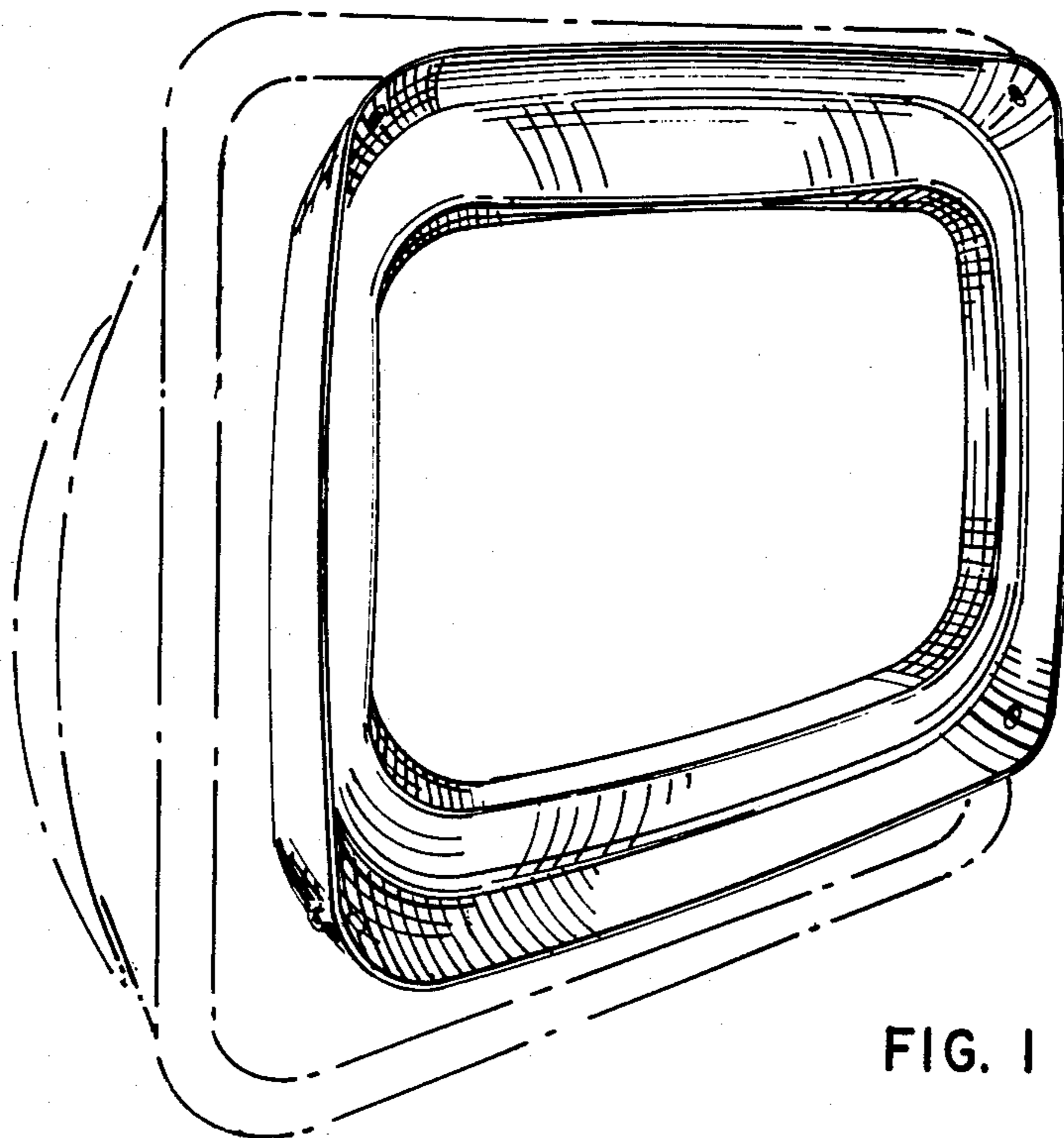


FIG. 1

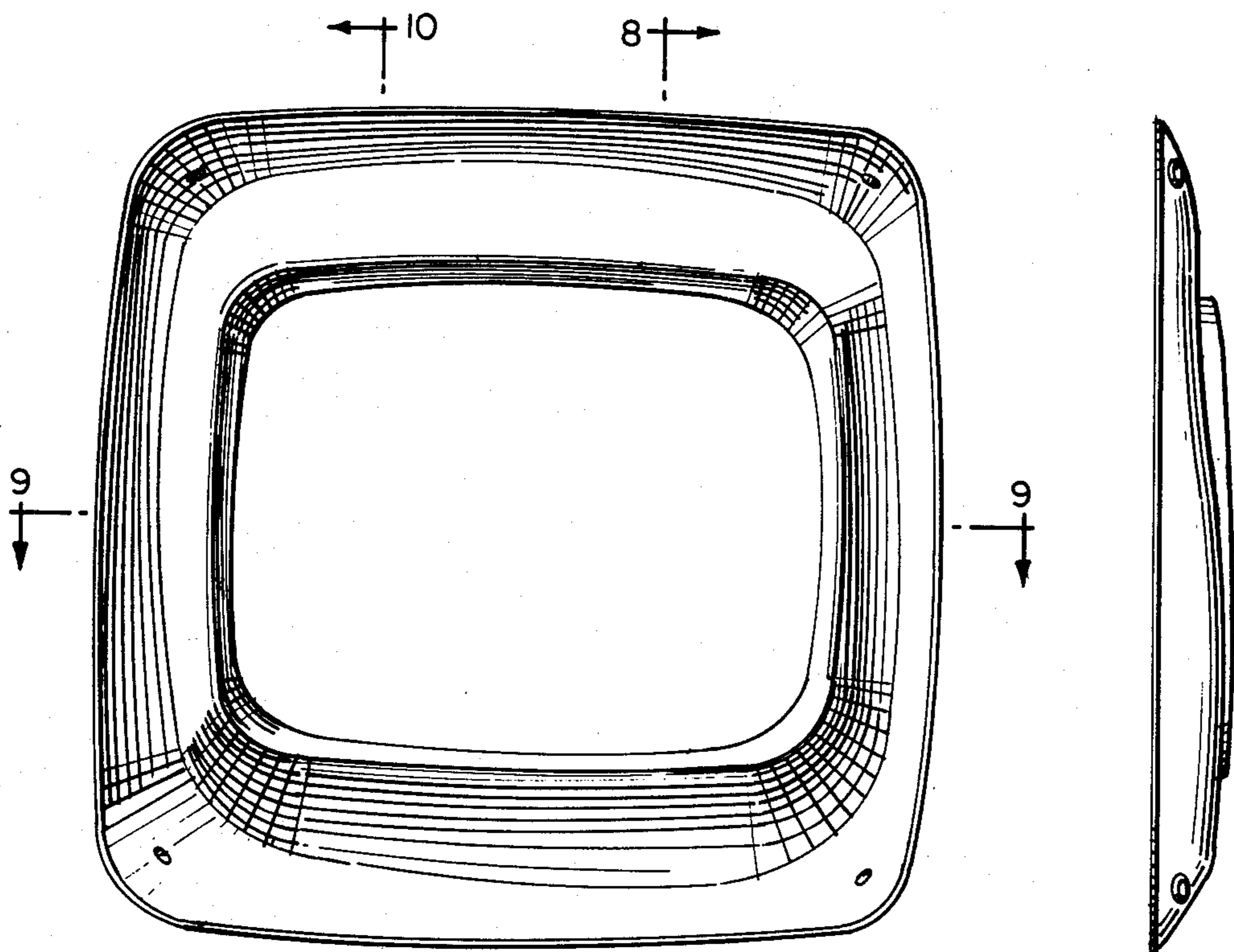


FIG. 2

FIG. 3

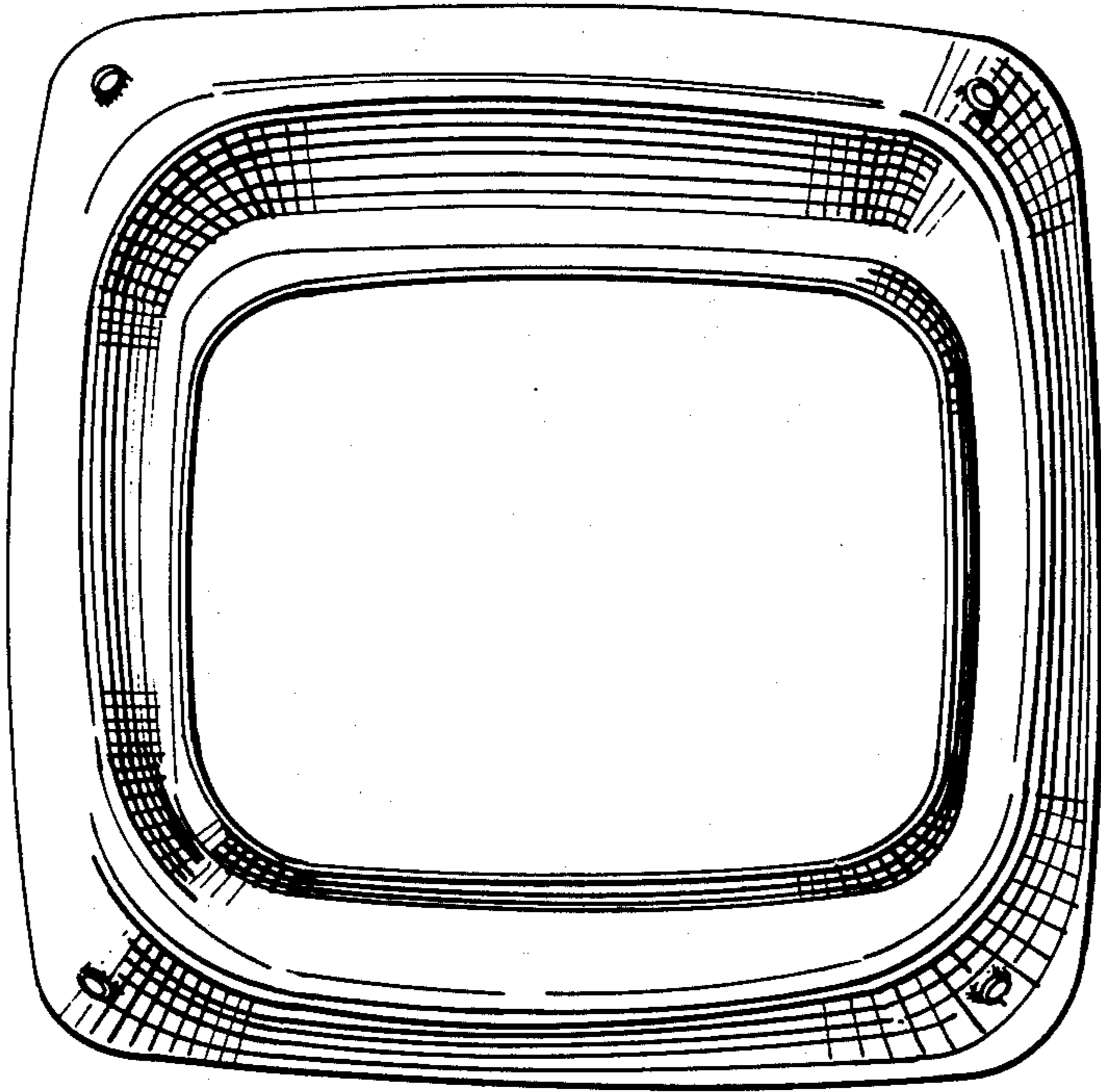


FIG. 4

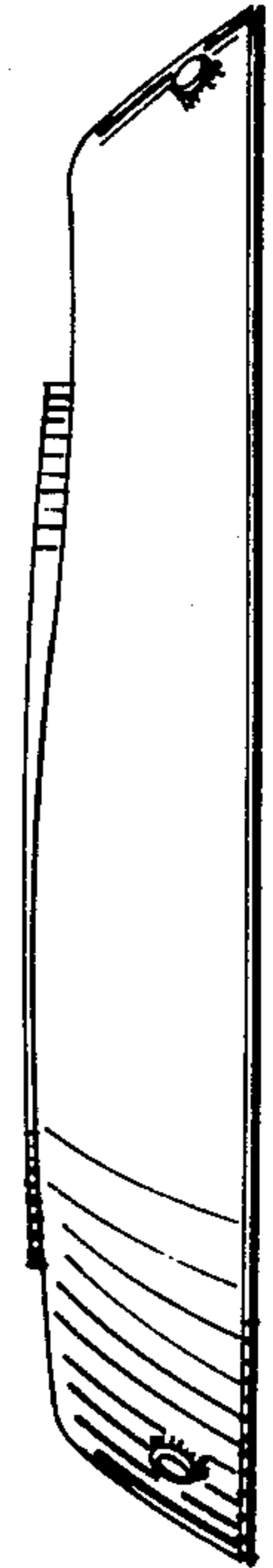


FIG. 5

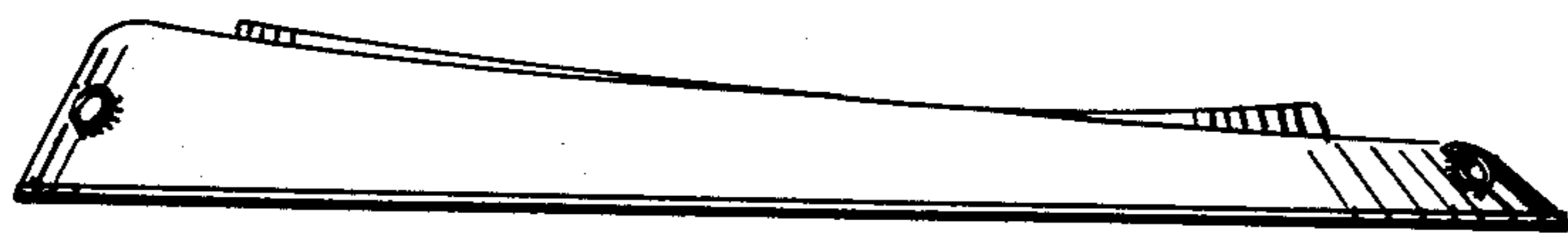


FIG. 6

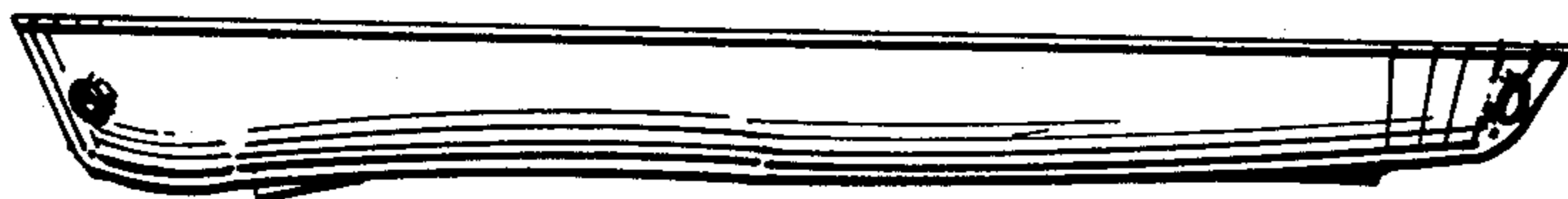


FIG. 7

FIG. 9

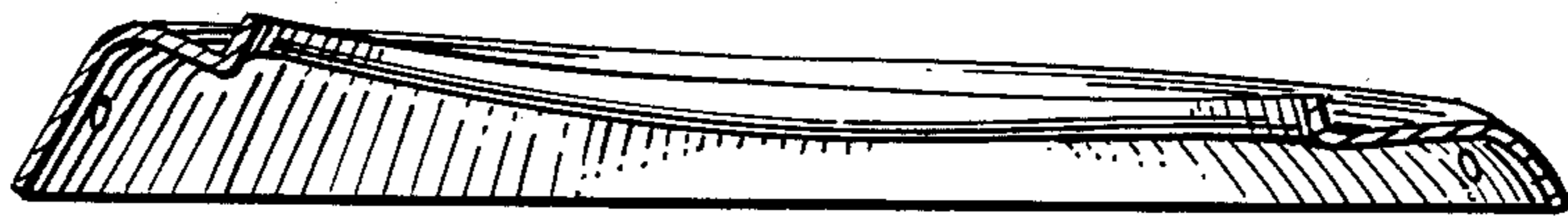


FIG. 10

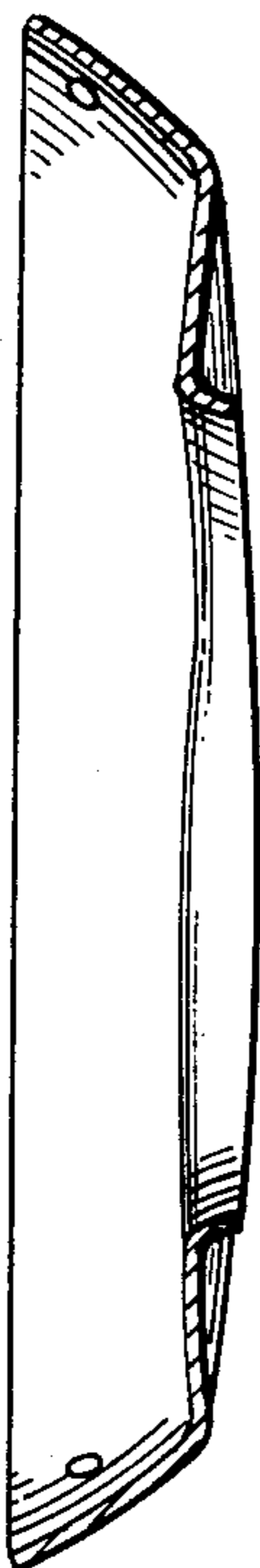


FIG. 8

