

[54] **EXPLOSION PROOF FLUORESCENT LAMP FOR MINES OR THE LIKE**

[75] Inventor: **Perfecto Dacal**, Beckley, W. Va.

[73] Assignee: **Control Products Inc.**, Beckley, W. Va.

[**] Term: **14 Years**

[21] Appl. No.: **689,596**

[22] Filed: **May 24, 1976**

[51] Int. Cl. **D26-05**

[52] U.S. Cl. **D48/20 E**

[58] Field of Search **D48/20 E, 23 A; 240/51.11, 11.2 R, 11.2 E, 18, 102 R**

[56] **References Cited**

U.S. PATENT DOCUMENTS

2,161,621	6/1939	Fernandez	240/11.2 R
2,392,202	1/1946	Tornblom	240/11.2 R
2,492,852	12/1949	Fine	240/102 R X
3,348,039	10/1967	Schrage et al.	240/102 R X
3,675,006	7/1972	Zagel et al.	240/51.11 R X

D. 140,504 3/1945 Gleason D48/23 A

Primary Examiner—Susie J. Mercer
Attorney, Agent, or Firm—William E. Lucas

[57] **CLAIM**

The ornamental design for an explosion proof fluorescent lamp for mines or the like, substantially as shown and described.

DESCRIPTION

FIG. 1 is a perspective view of an explosion proof fluorescent lamp for mines or the like showing my new design;

FIGS. 2 and 3 are perspective views or further embodiments of my design;

FIGS. 4 and 5 are respectively right and left end elevational views common to all embodiments on an enlarged scale;

FIGS. 6, 7 and 8 are respectively top, side and bottom views of the embodiment shown in FIG. 1 on an enlarged scale.

The conduits for electrical conductors are shown in broken lines in FIGS. 1, 2 and 3 for illustrative purposes only.

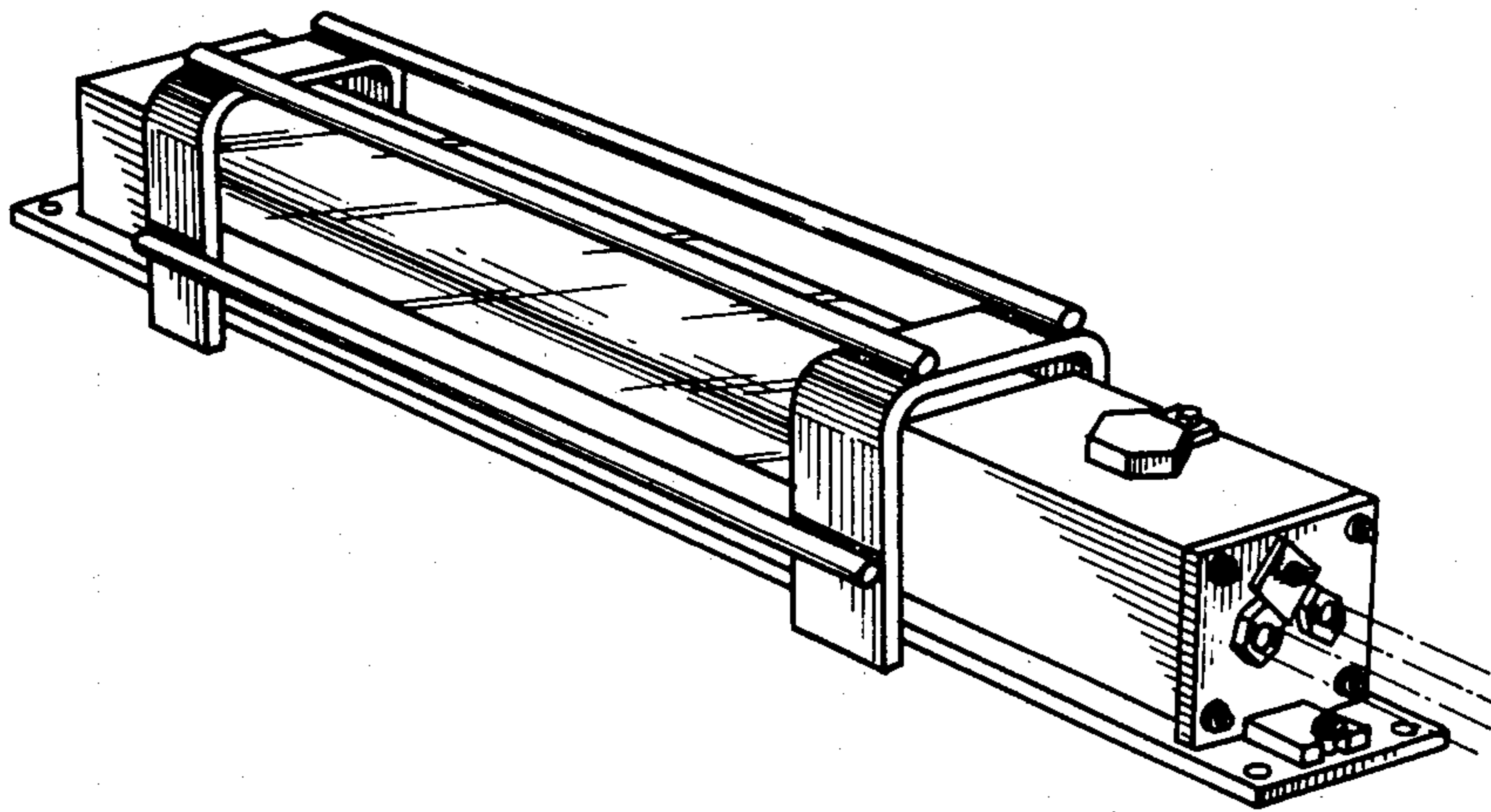


Fig 1

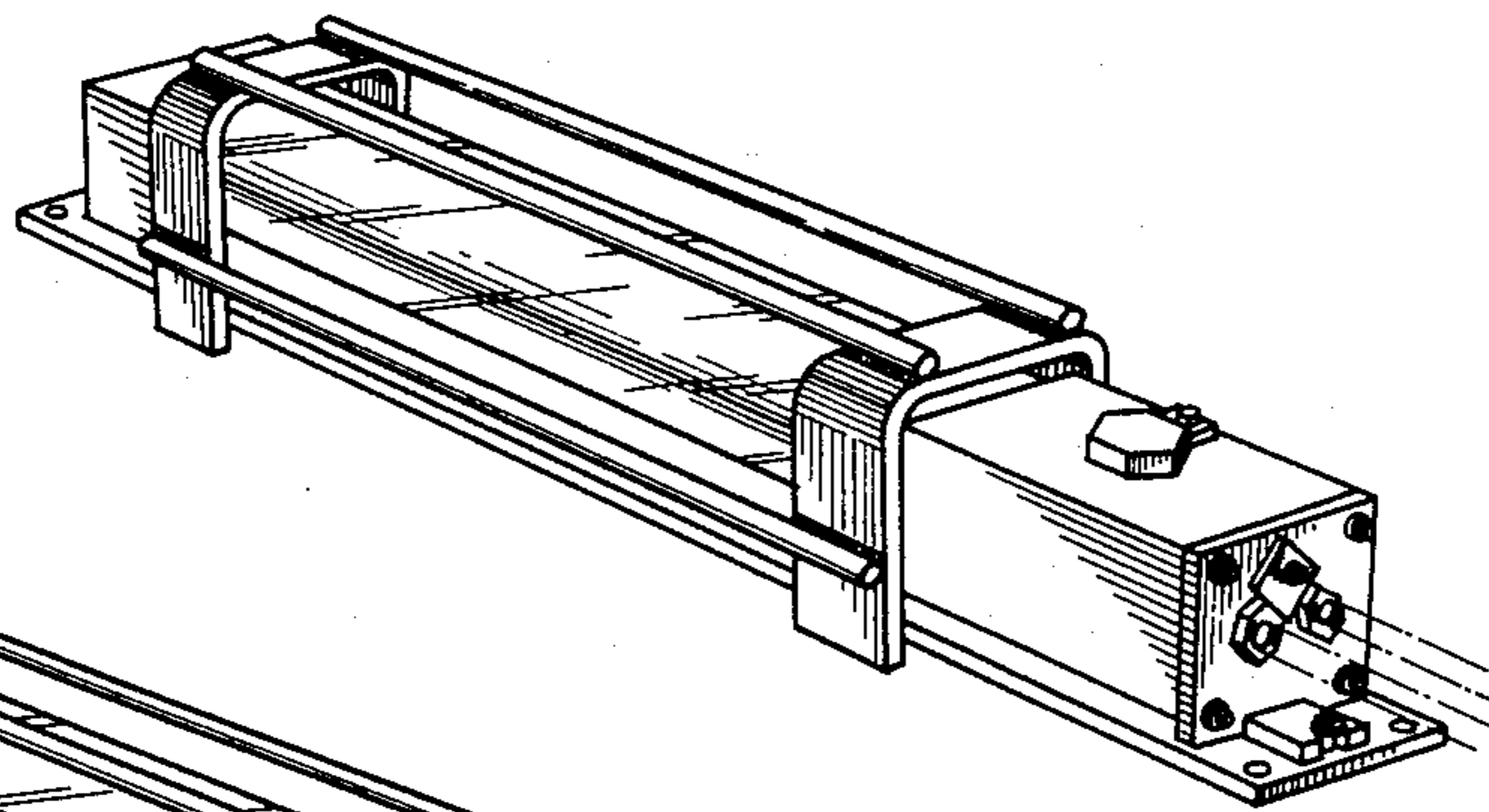


Fig 2

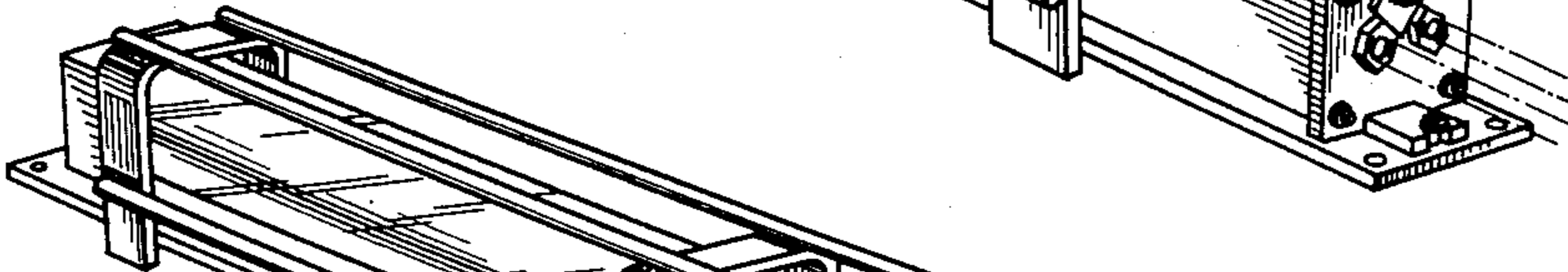


Fig 3

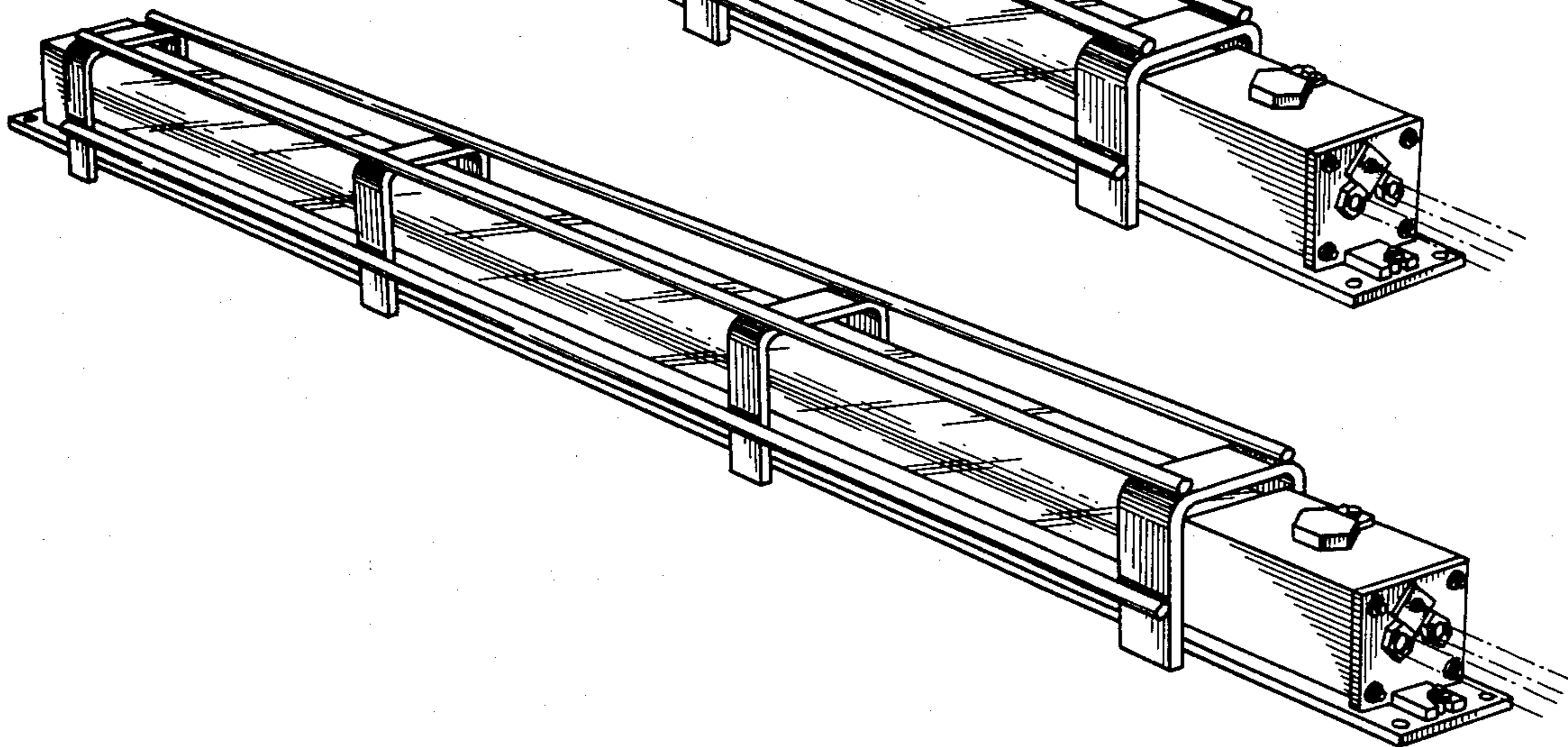


Fig 4

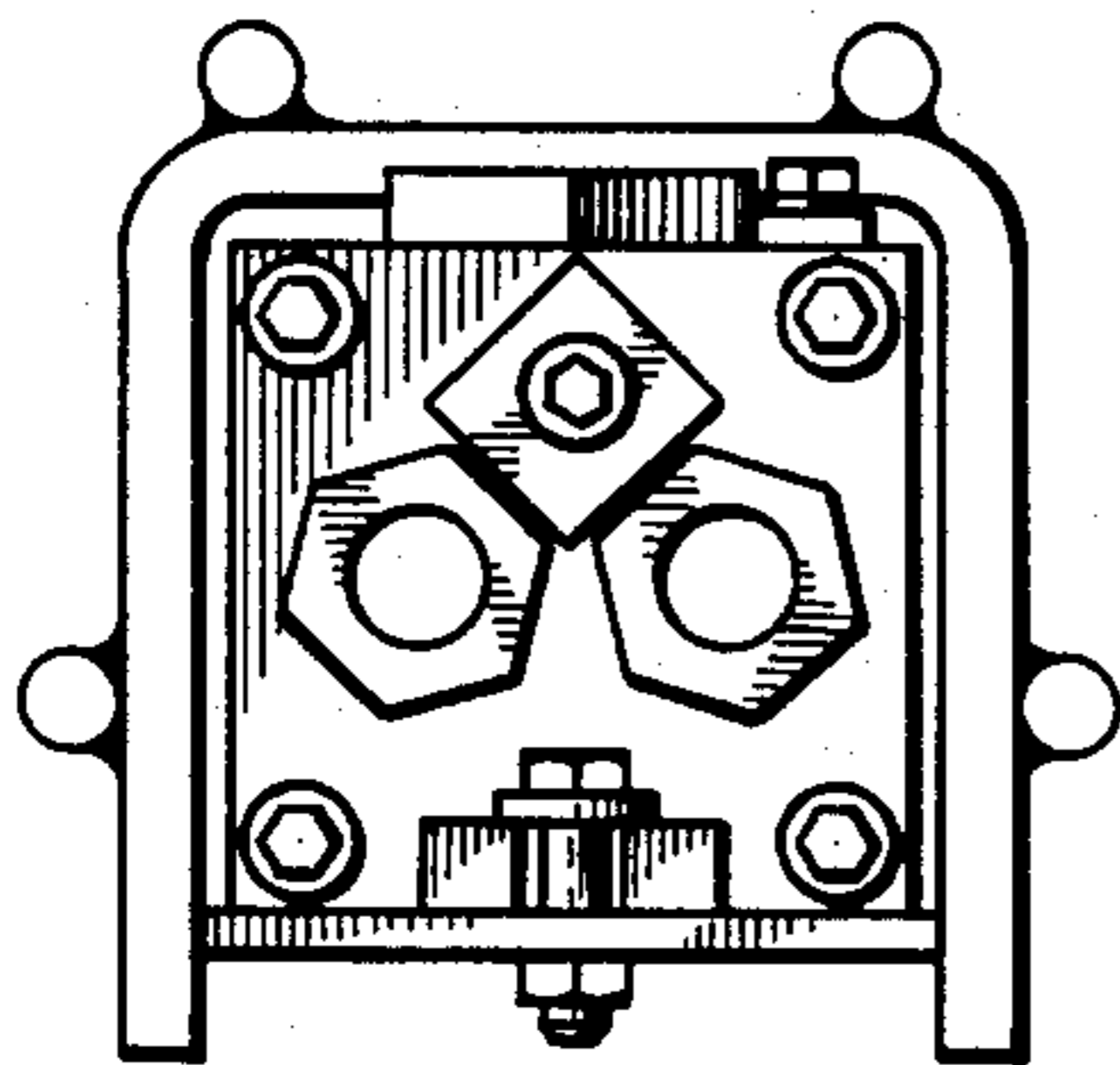


Fig 5

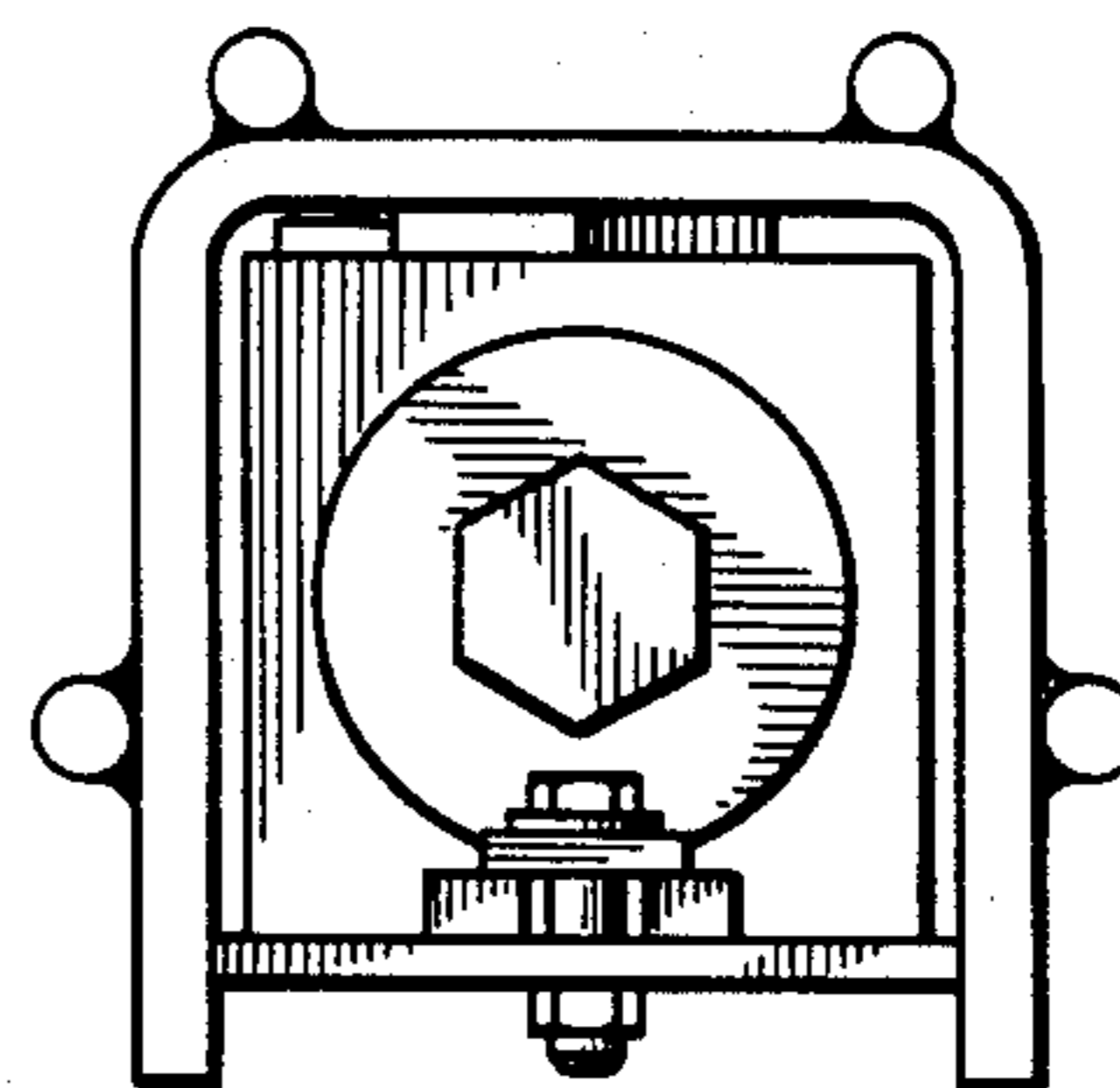


Fig 6

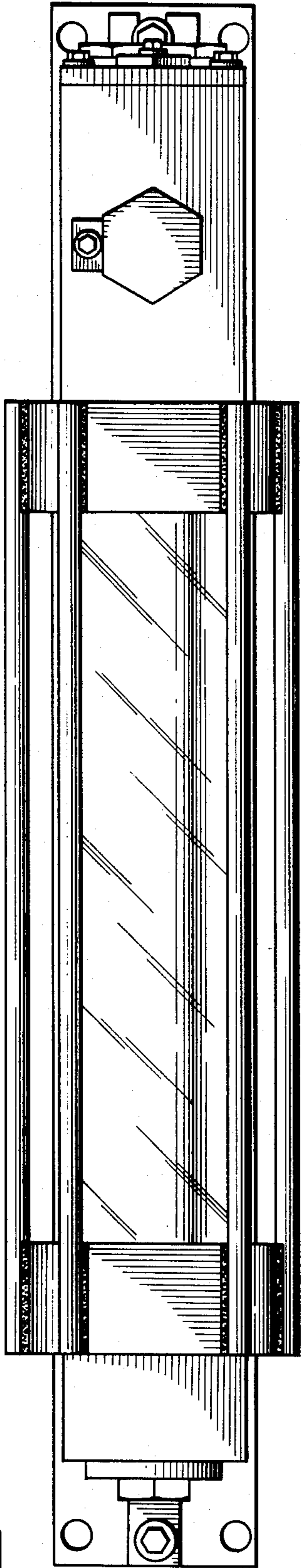


Fig 7

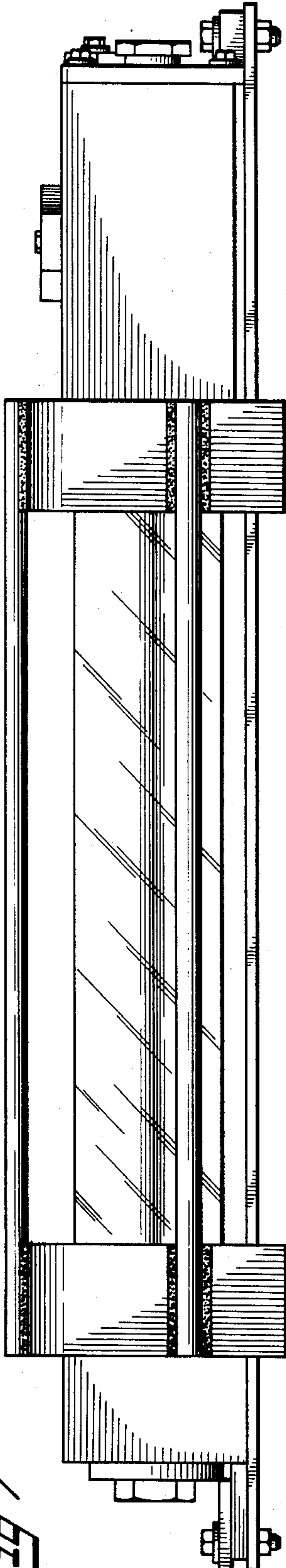


Fig 8

