

[54] GOLF STANCE AND SWING PRACTICE DEVICE OR THE LIKE

[76] Inventor: Edward F. Sullivan, Jr., 6944 Gaillardia Road South, Jacksonville, Fla. 32211

[**] Term: 14 Years

[21] Appl. No.: 616,309

[22] Filed: Sept. 24, 1975

[51] Int. Cl. D21-02

[52] U.S. Cl. D34/5 CB

[58] Field of Search D34/5 CB; 273/187 R, 273/187 A

[56] References Cited

U.S. PATENT DOCUMENTS

2,886,326 5/1959 Olds 273/187 R

FOREIGN PATENT DOCUMENTS

839,283 1960 United Kingdom 273/187 R

OTHER PUBLICATIONS

Golf Digest, Dec., 1971, bottom, "Aimer" Practice Device.

Primary Examiner—Melvin B. Feifer

Attorney, Agent, or Firm—George H. Baldwin

[57] CLAIM

The ornamental design for an golf stance and swing practice device or the like, substantially as shown.

DESCRIPTION

FIG. 1 is a top plan view of a golf stance and swing practice device showing my new design;

FIG. 2 is a bottom view thereof;

FIG. 3 is an enlarged cross-sectional view taken along line 3-3 of FIG. 1; and

FIG. 4 is an enlarged cross-sectional view taken along line 4-4 of FIG. 1.

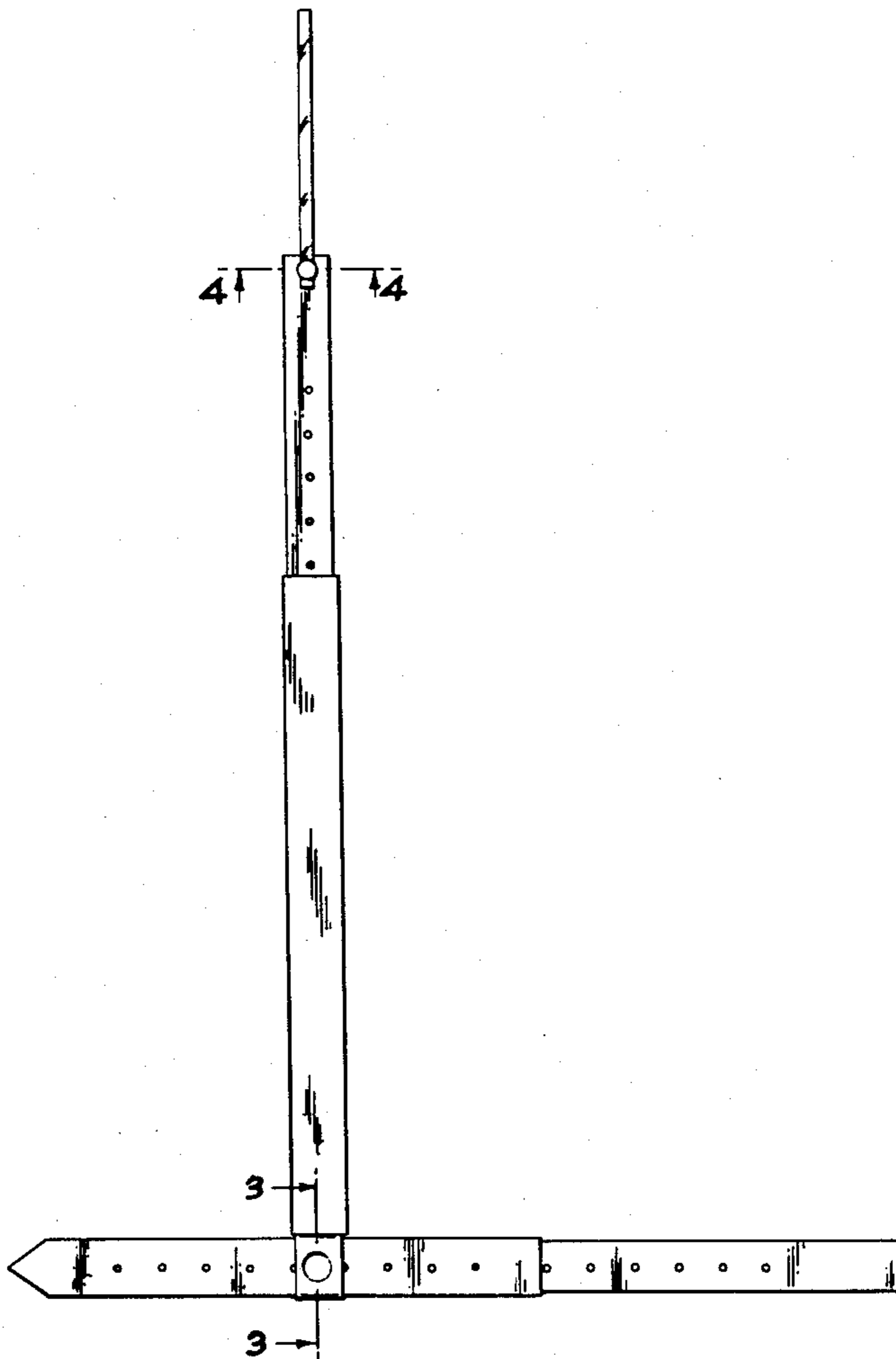


FIG. 1

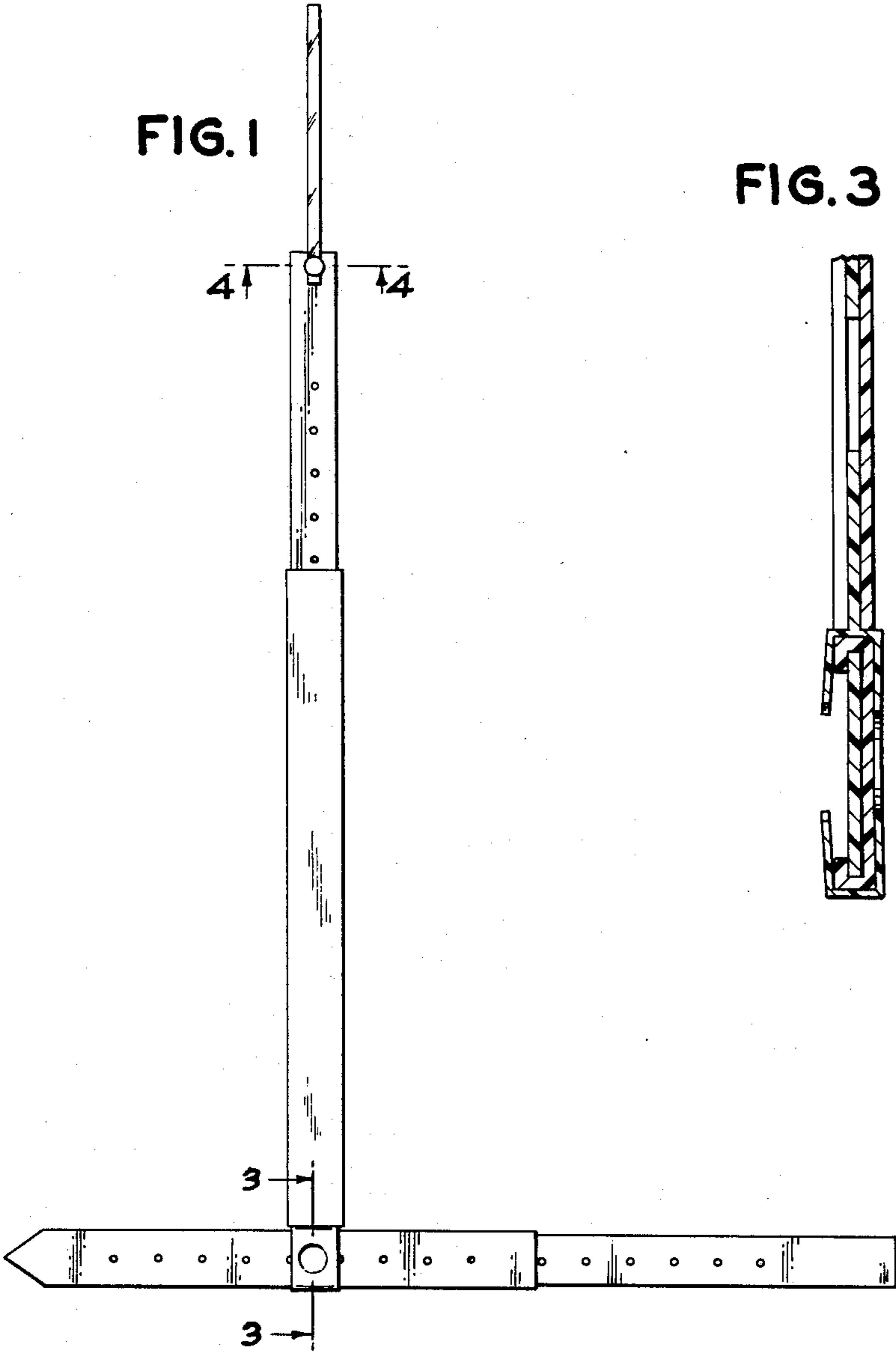


FIG. 3

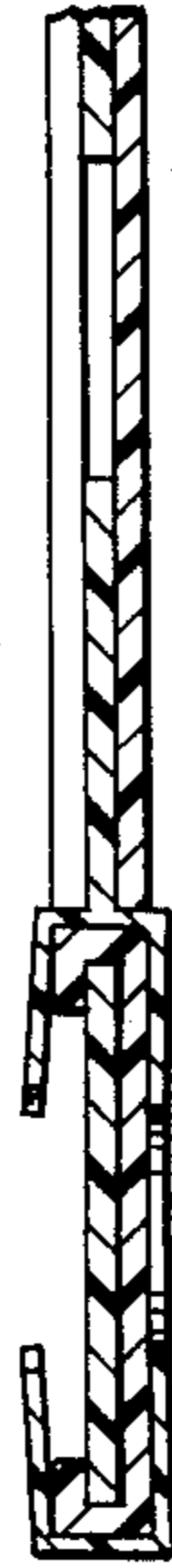


FIG. 4



FIG. 2

