

[54] SLAB MODULE FOR USE AS PLAY EQUIPMENT

[75] Inventors: **Kenneth Peter Burgess**, Kew Surrey; **Timothy Sefton Elsdale**, London, both of England

[73] Assignee: **WCB Containers Limited**, Stalybridge, England

[**] Term: **14 Years**

[21] Appl. No.: **605,896**

[22] Filed: **Aug. 19, 1975**

[51] Int. Cl. **D21-03**

[52] U.S. Cl. **D34/5 H**

[58] Field of Search **D34/5 H, 15 GG; 272/113, 115, 1 R; 46/1 R**

[56]

References Cited

U.S. PATENT DOCUMENTS

2,576,439	11/1951	Beck et al.	46/1 R
3,530,614	9/1970	Strongin	46/1 R
3,815,280	6/1974	Gilfillian	46/1 R

Primary Examiner—Melvin B. Feifer
Attorney, Agent, or Firm—Thomas B. Van Poole

[57]

CLAIM

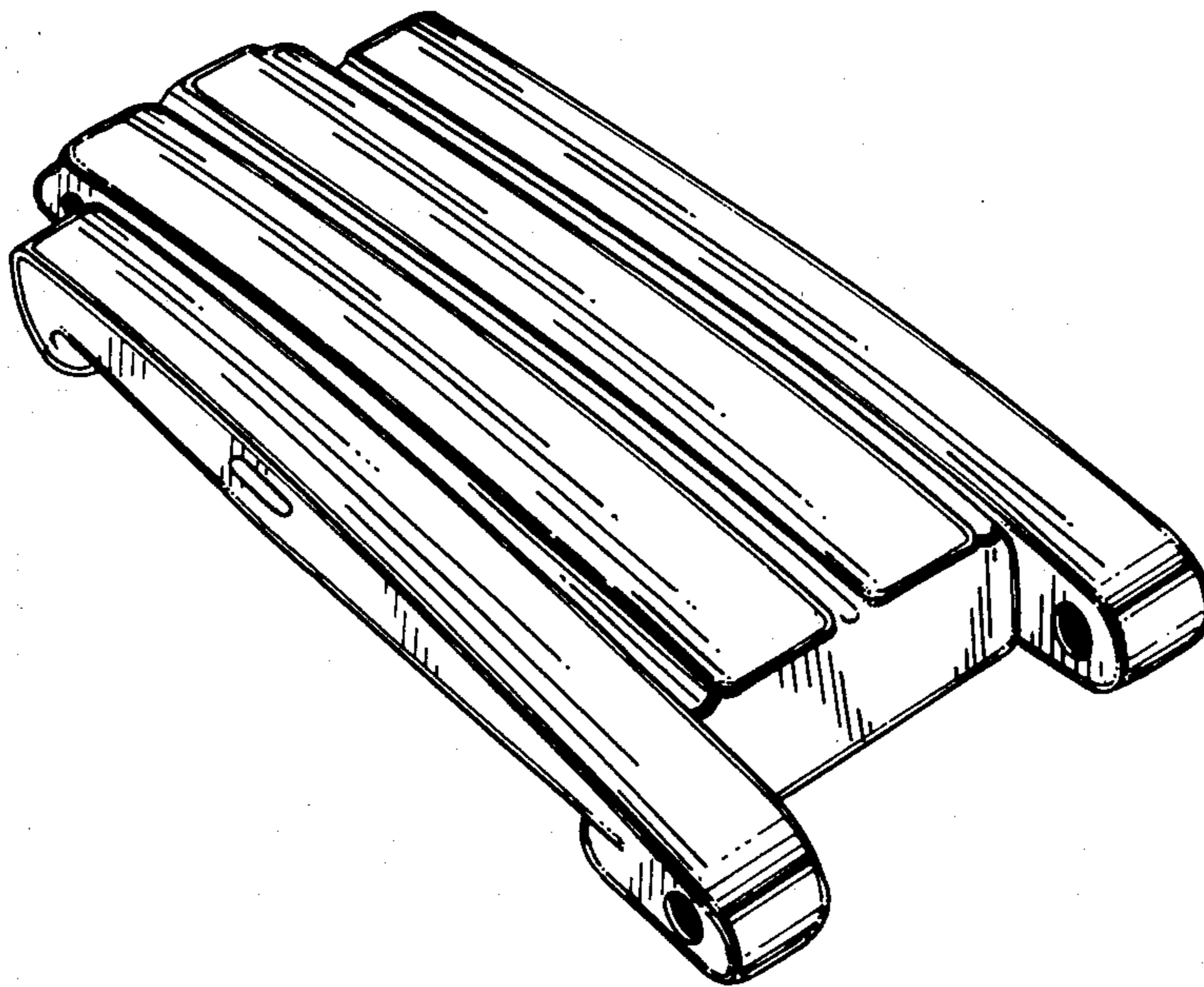
The ornamental design for a slab module for use as play equipment, as shown and described.

DESCRIPTION

FIG. 1 is a top perspective view from above and one end of the slab module for use as play equipment embodying my new design.

FIG. 2 is a bottom perspective view from below and the other end thereof.

FIG. 3 is a second bottom perspective view from the side opposite to the one shown in FIG. 2.



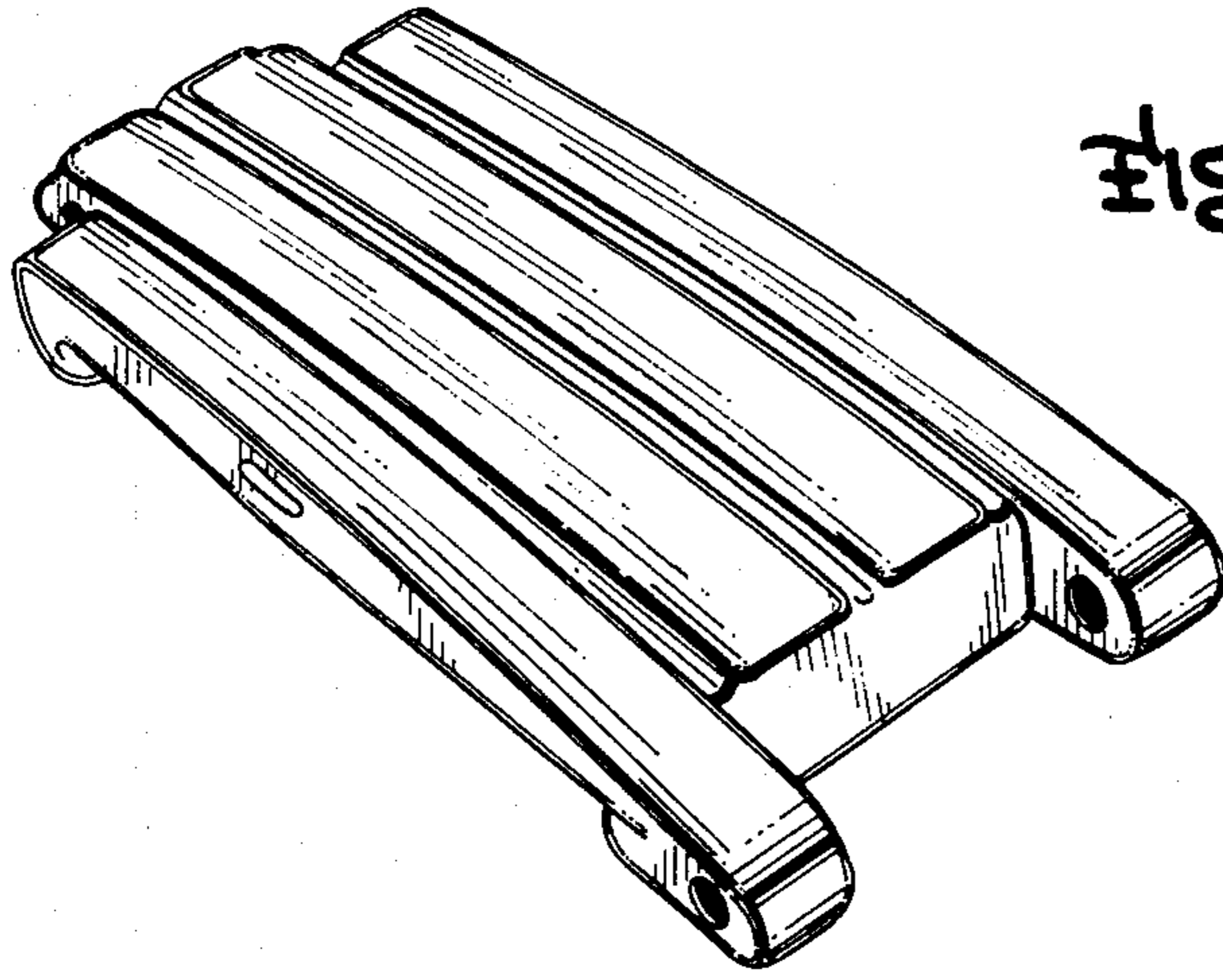


Fig-1

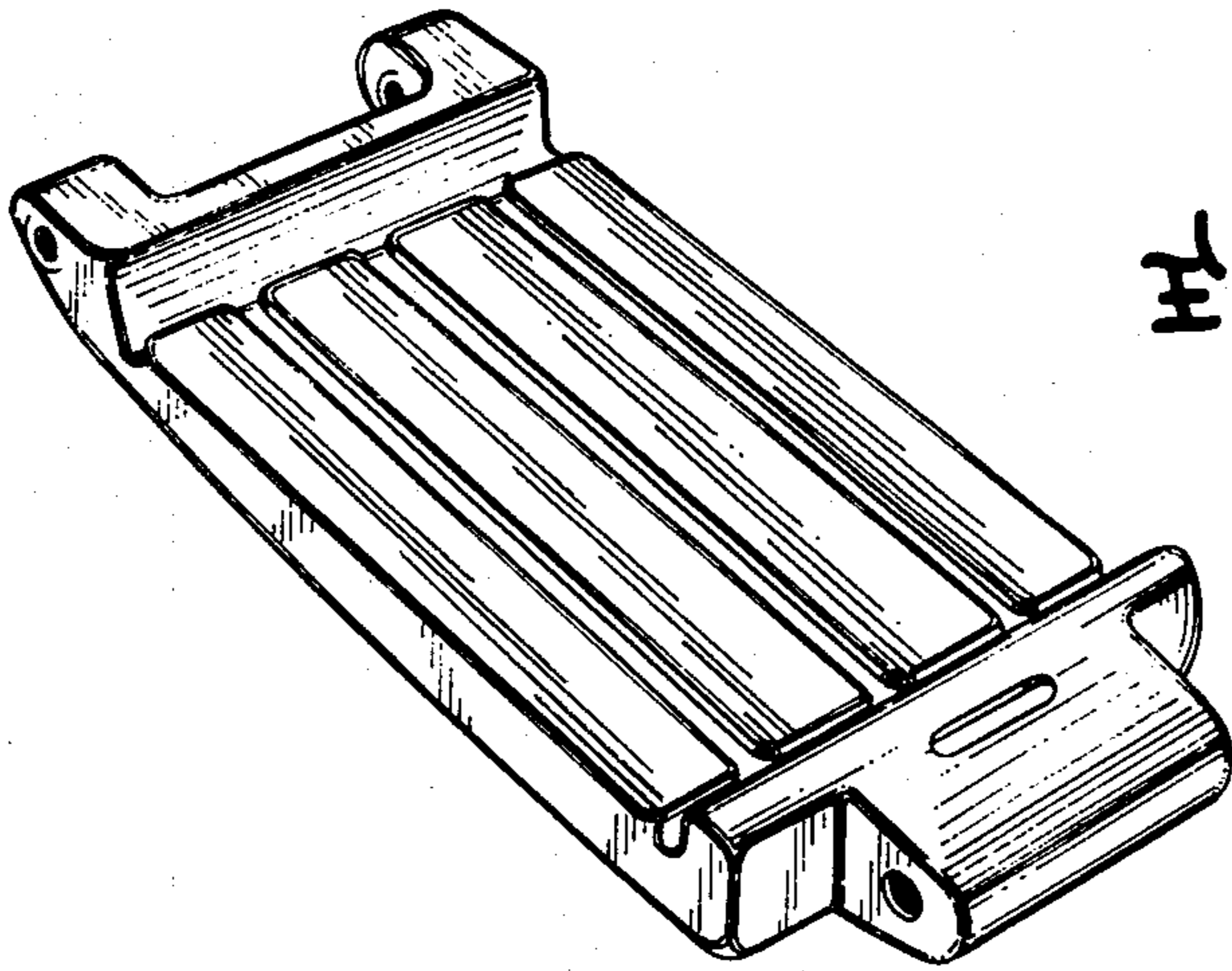


Fig-2

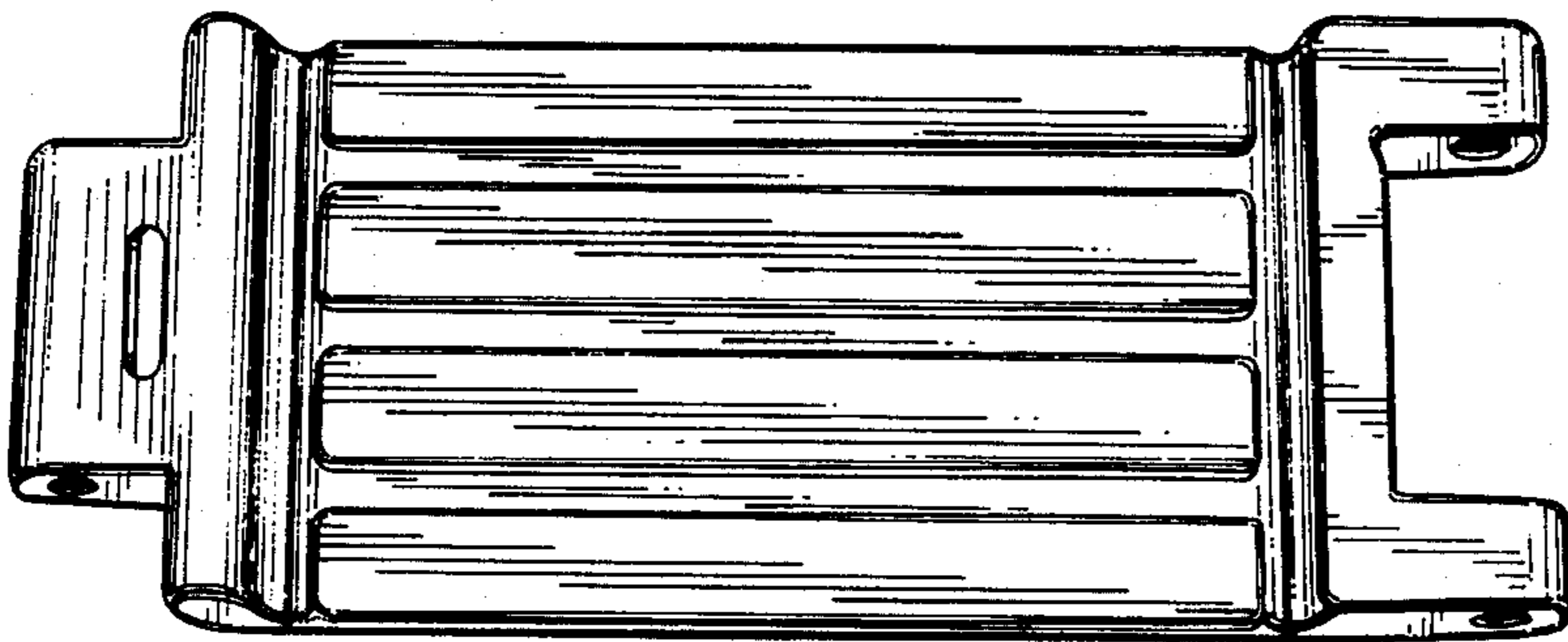


Fig-3

UNITED STATES PATENT AND TRADEMARK OFFICE
CERTIFICATE OF CORRECTION

PATENT NO. : Des 244,789
DATED : June 21, 1977
INVENTOR(S) : Kenneth Peter Burgess et al

It is certified that error appears in the above-identified patent and that said Letters Patent are hereby corrected as shown below:

On the cover page the following is inserted after paragraph [22]:

[30] Foreign Application Priority Data
Feb. 19, 1975 United Kingdom 969,944/75

Signed and Sealed this
Twenty-second Day of November 1977

[SEAL]

Attest:

RUTH C. MASON
Attesting Officer

LUTRELLE F. PARKER
Acting Commissioner of Patents and Trademarks