

[54] **POD MODULE FOR USE AS PLAY EQUIPMENT**

[75] **Inventors:** Kenneth Peter Burgess, Kew Surrey; Timothy Elsdale, London, both of England

[73] **Assignee:** WCB Containers Limited, Stalybridge, England

[\*\*] **Term:** 14 Years

[21] **Appl. No.:** 605,895

[22] **Filed:** Aug. 19, 1975

[30] **Foreign Application Priority Data**

Feb. 19, 1975 United Kingdom ..... 969950/75

[51] **Int. Cl.** ..... D21-03

[52] **U.S. Cl.** ..... D34/5 H

[58] **Field of Search** ..... D34/5 H, 15 GG; 272/113, 115

[56] **References Cited**

**U.S. PATENT DOCUMENTS**

3,628,790 12/1971 Gordon ..... 272/113

**OTHER PUBLICATIONS**

Design, Jan. 1972, p. 60, Climber. Playscape Inc., rec'd. 12/11/68, p. 4, Playtank.

*Primary Examiner*—Melvin B. Feifer  
*Attorney, Agent, or Firm*—Thomas B. Van Poole

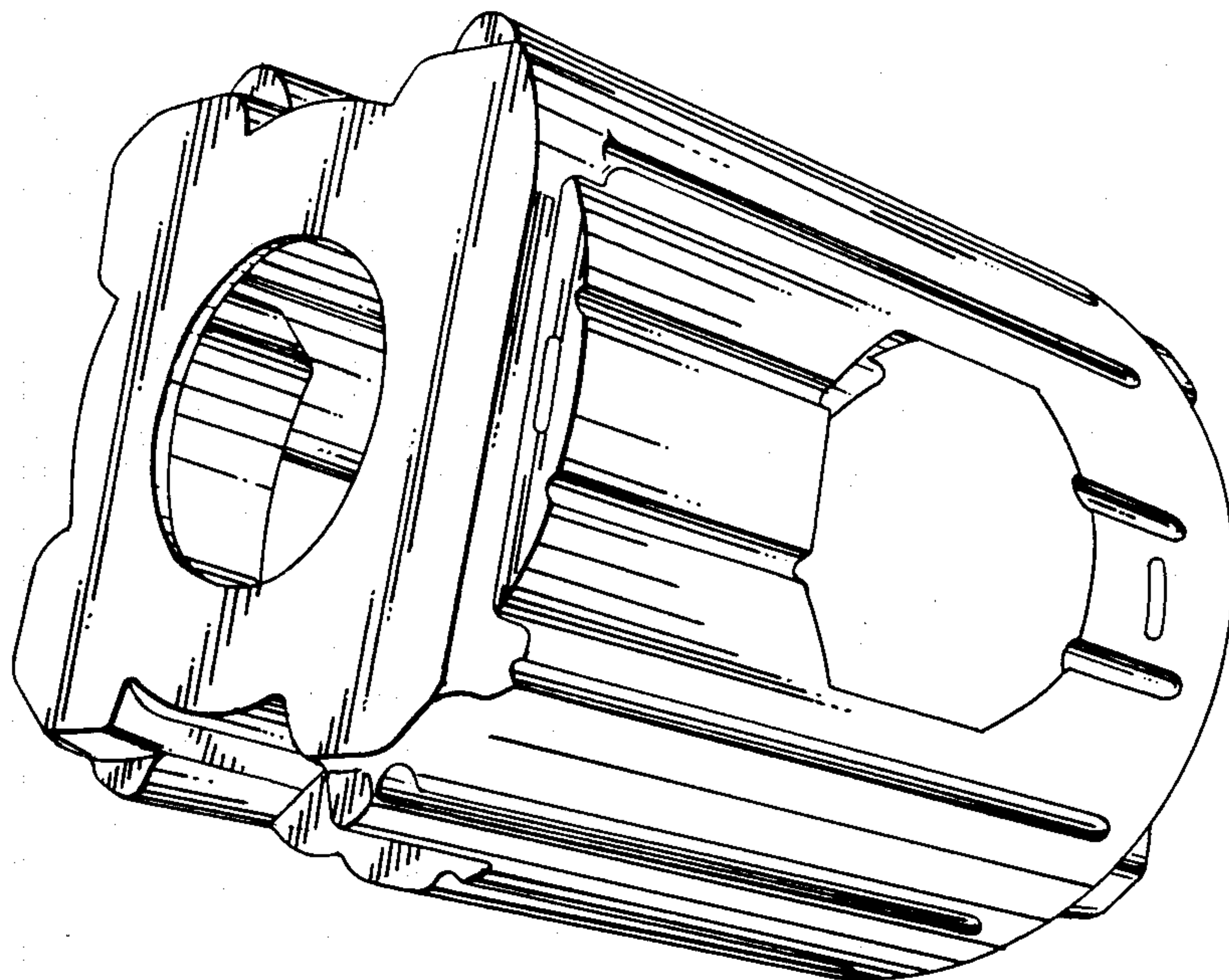
[57] **CLAIM**

The ornamental design for a pod module for use as play equipment, as shown and described.

**DESCRIPTION**

FIG. 1 is a side perspective view from one side and one end of the pod module for use as play equipment embodying my new design.

FIG. 2 is a side perspective view from the other side and the other end side thereof.



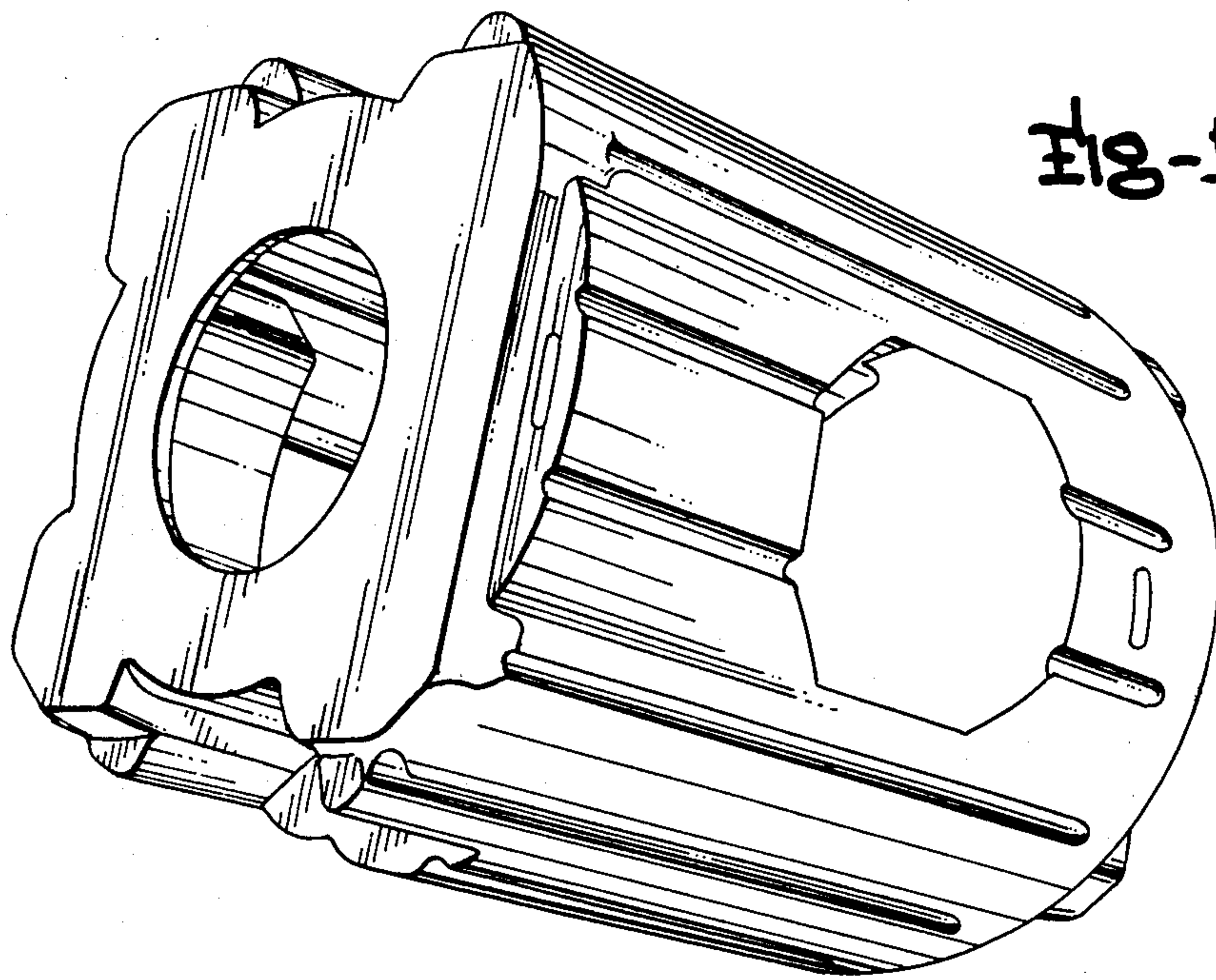


Fig-1

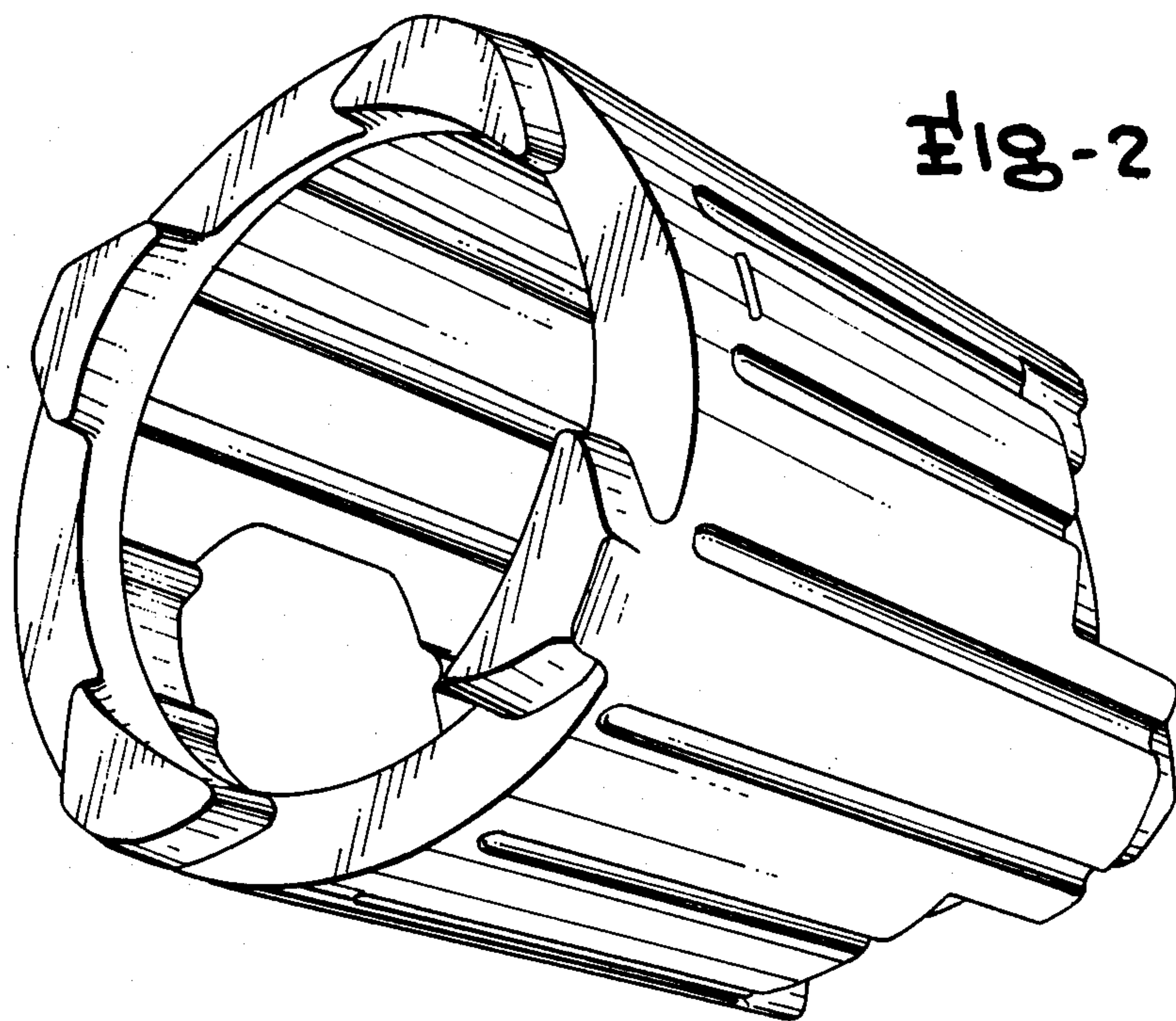


Fig-2