

[54] MUSICAL WHISTLE

[75] Inventor: Martin B. Cohen, Hillsdale, N.J.

[73] Assignee: Latin Percussion, Inc.

[**] Term: 14 Years

[21] Appl. No.: 601,763

[22] Filed: Aug. 4, 1975

[51] Int. Cl. D21-01

[52] U.S. Cl. D34/15 C

[58] Field of Search D34/15 C, 15 D, 15 J, D34/15 AG; D56/1 C; D10/119, 120; 35/22 A; 46/111, 174, 175 R, 177, 178, 179, 181, 190, 193, 226

[56]

References Cited

U.S. PATENT DOCUMENTS

696,814	4/1902	Hatch	D34/15 C
3,066,443	12/1962	Mobley	46/177
D. 52,471	9/1918	Cohn	D34/15 C

Primary Examiner—Joel Stearman
Assistant Examiner—C. A. Rademaker
Attorney, Agent, or Firm—Allison C. Collard

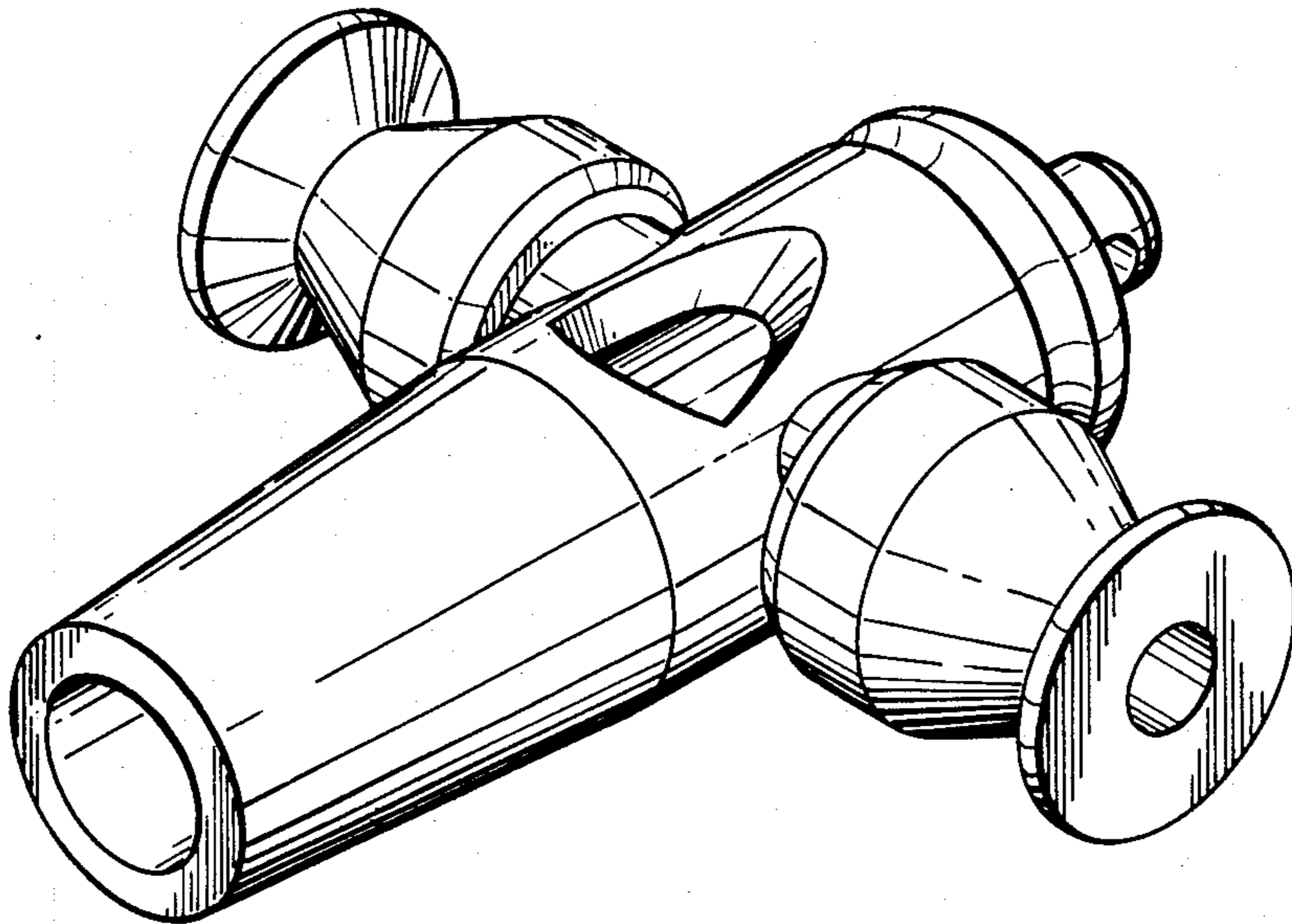
[57]

CLAIM

The ornamental design for a musical whistle, substantially as shown and described.

DESCRIPTION

FIG. 1 is a front perspective view of a musical whistle showing my new design;
FIG. 2 is a side elevational view thereof shown on a slightly reduced scale, the side opposite being a mirror image;
FIG. 3 is a rear elevational view thereof;
FIG. 4 is a bottom plan view thereof;



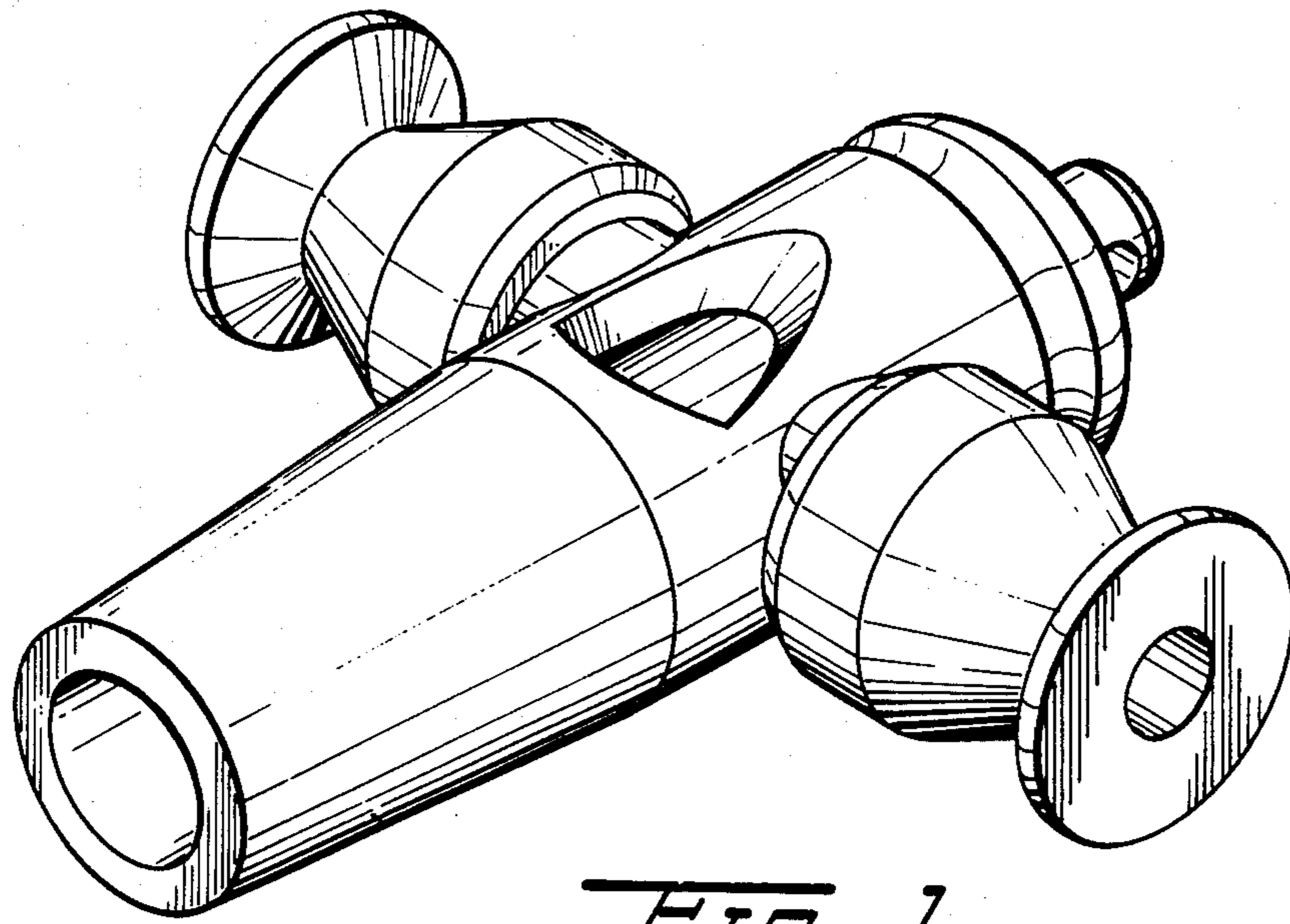


Fig. 1.

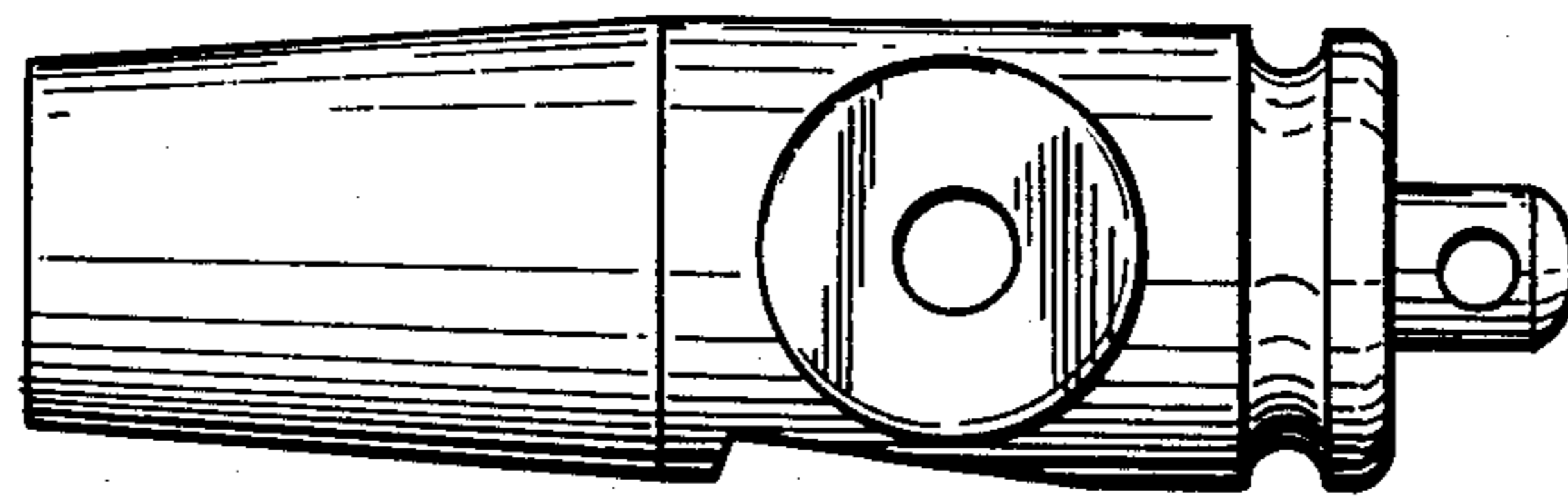


Fig. 2.

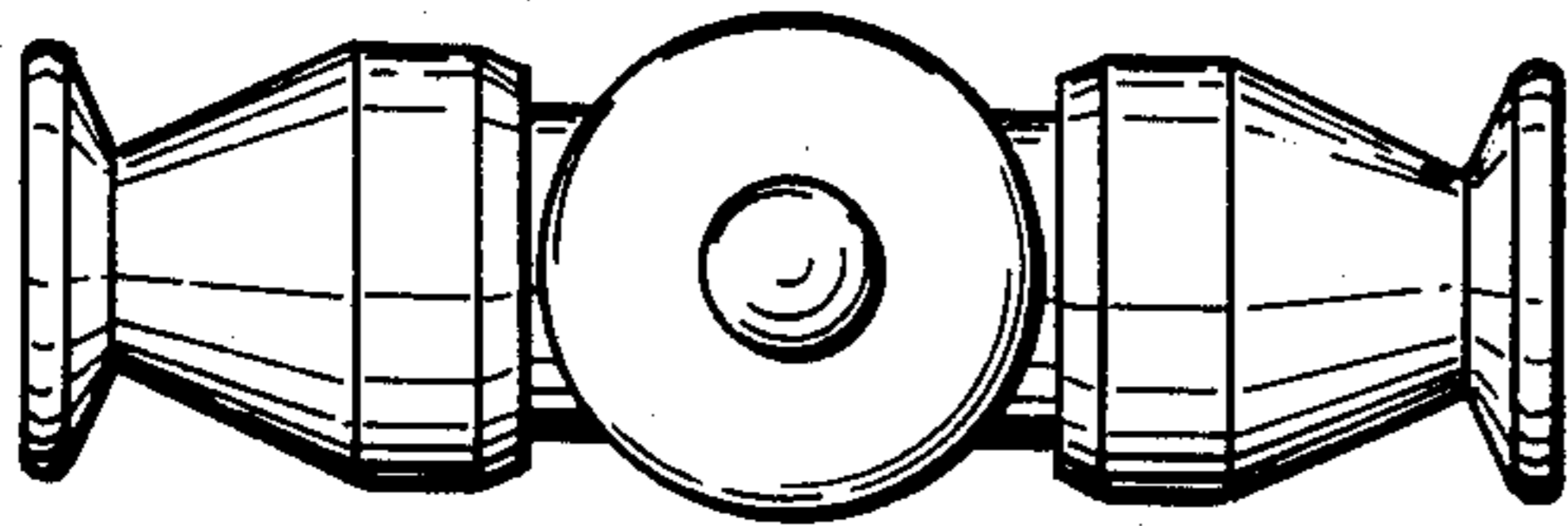


Fig. 3.

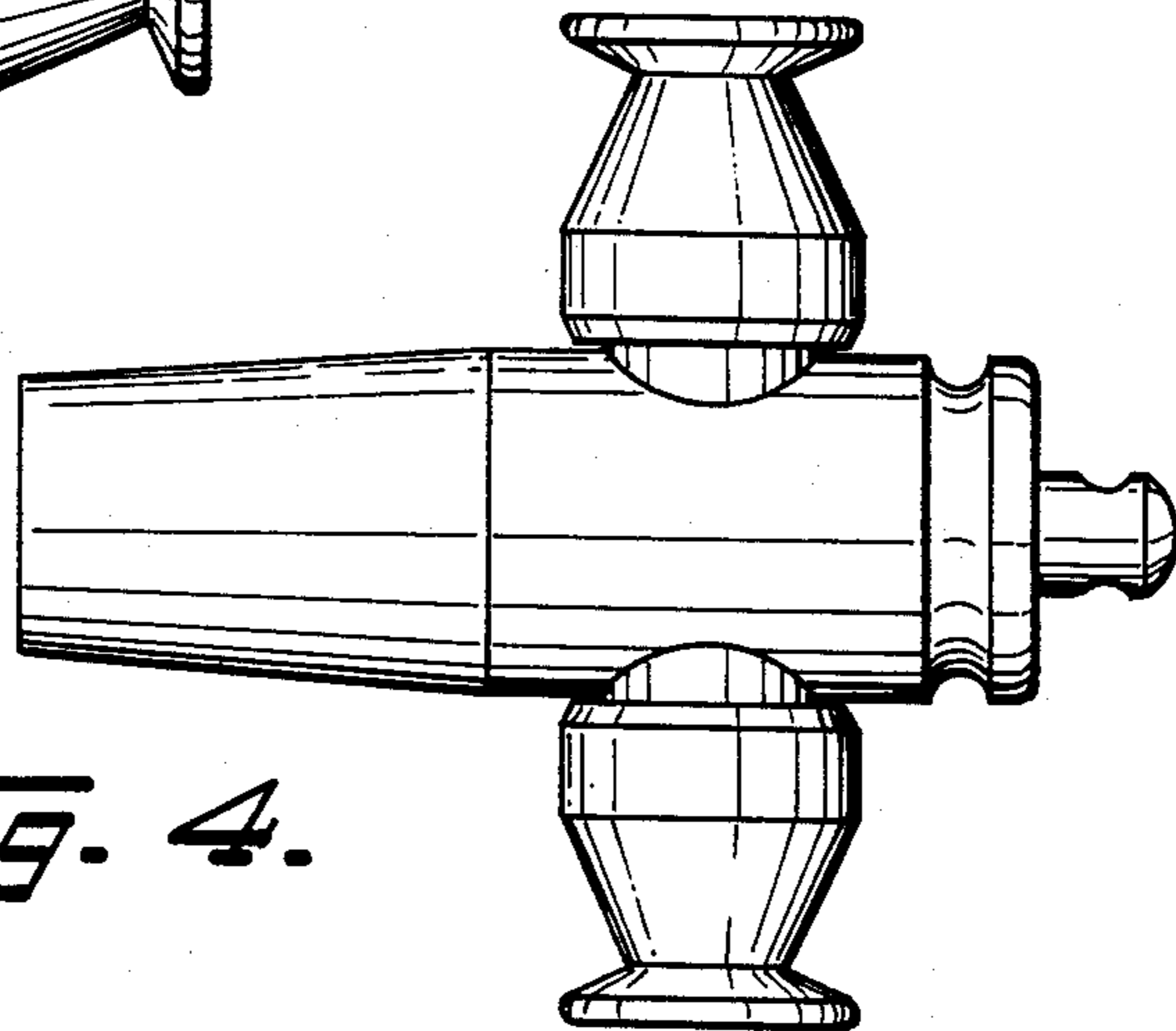


Fig. 4.