

[54] COMPONENT LOCATER FOR ELECTRONIC PRODUCT ASSEMBLY OPERATIONS

[75] Inventor: Lewis A. Latanzi, Bethel, Conn.

[73] Assignee: Contact Systems, Inc., Danbury, Conn.

[**] Term: 14 Years

[21] Appl. No.: 625,939

[22] Filed: Oct. 28, 1975

[51] Int. Cl. D14-02

[52] U.S. Cl. D14/99

[58] Field of Search D26/5 C; D6/20, 23, D6/24, 156, 158-190

[56] References Cited

U.S. PATENT DOCUMENTS

D. 211,023	5/1968	Grossman	D26/5 C
D. 216,701	3/1970	Jordan	D26/5 C
D. 236,268	8/1975	Dallimonti et al.	D26/5 C
D. 236,623	9/1975	Fossella et al.	D26/5 C
D. 237,799	11/1975	Sottsass	D26/5 C

Primary Examiner—Bruce W. Dunkins
Attorney, Agent, or Firm—Robert H. Ware

[57] CLAIM

The ornamental design for a component locater for electronic product assembly operations, substantially as shown and described.

DESCRIPTION

FIG. 1 is a perspective view of an electronic component production assembly locator embodying my new design;

FIG. 2 is a top plan view of the electronic component locator of FIG. 1;

FIG. 3 is a left side elevational view of the electronic component locator of FIG. 1;

FIG. 4 is a front elevational view of the electronic component locator of FIG. 1; and

FIG. 5 is a back elevational view of the electronic component locator of FIG. 1.

The right side elevational view of the electronic component locator of the present invention is completely analogous to the left side elevational view shown in FIG. 3.

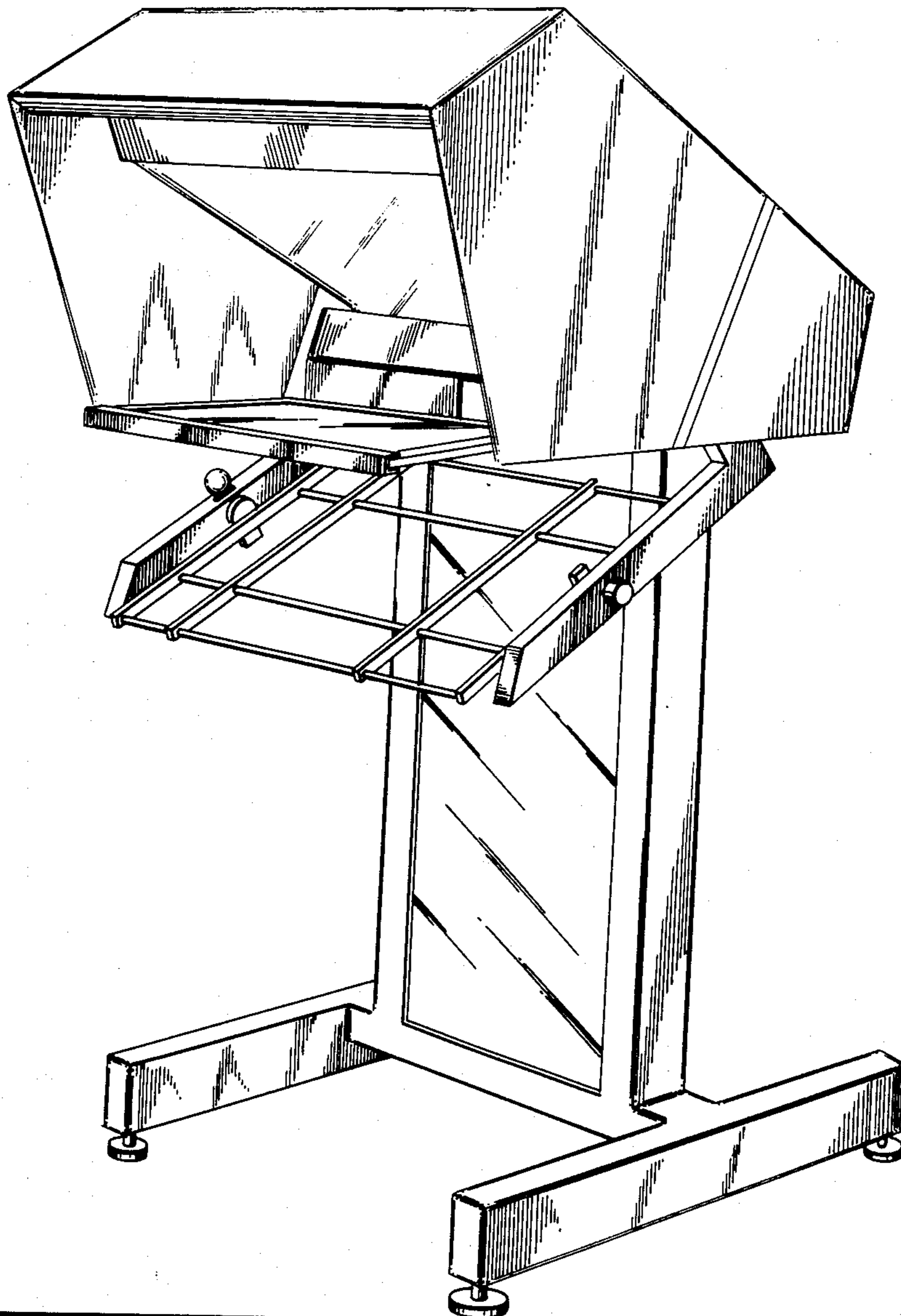
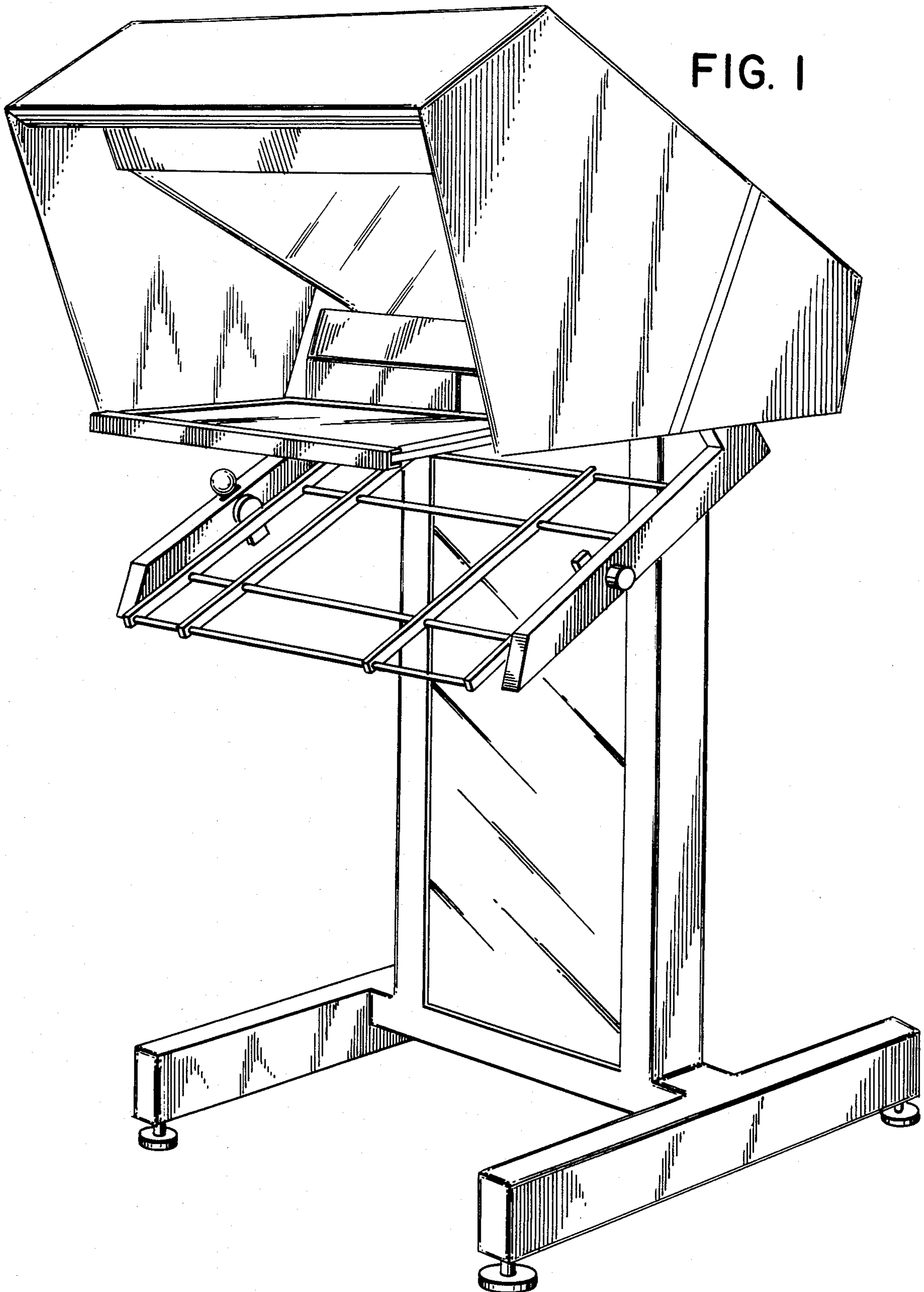


FIG. 1



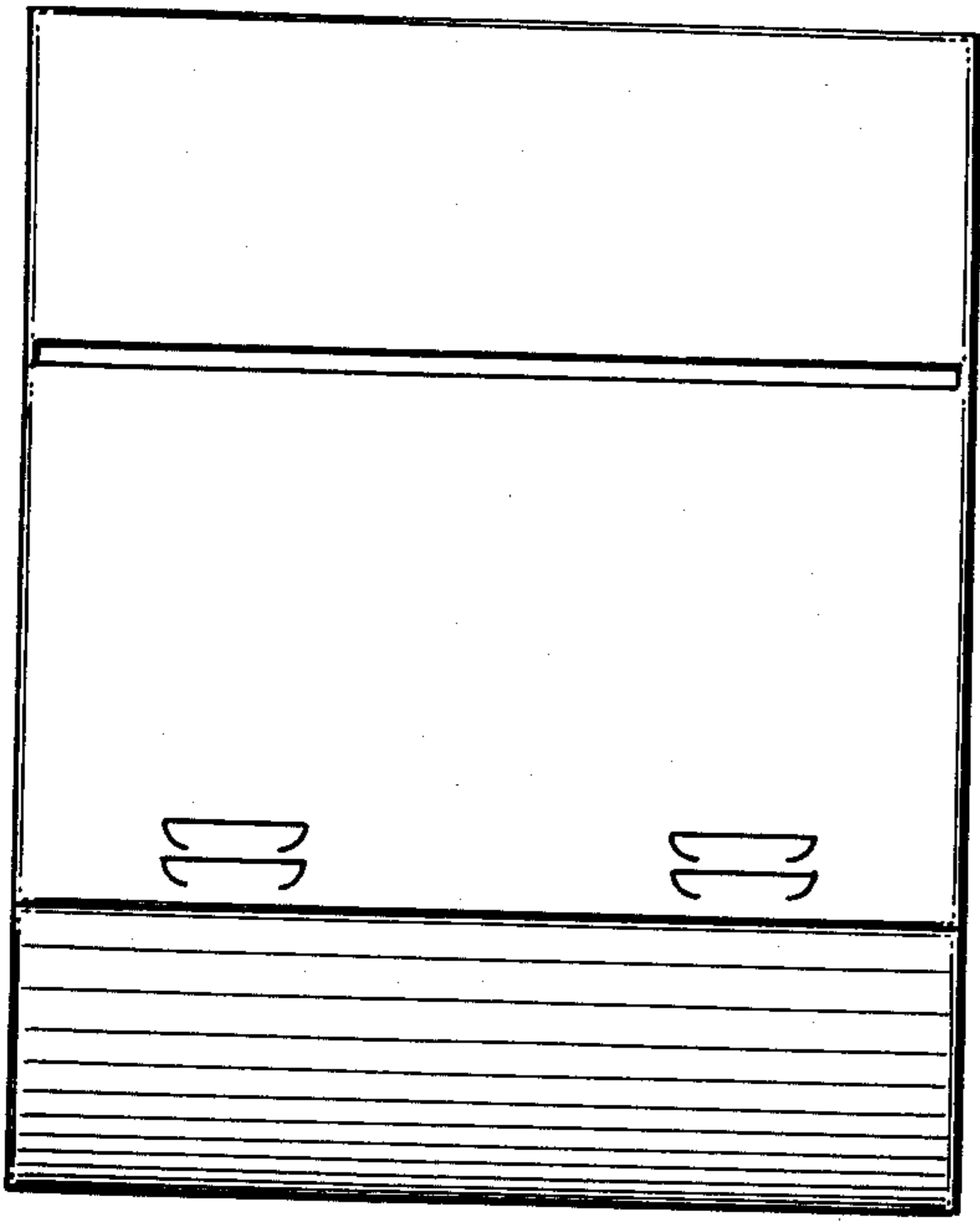


FIG. 2

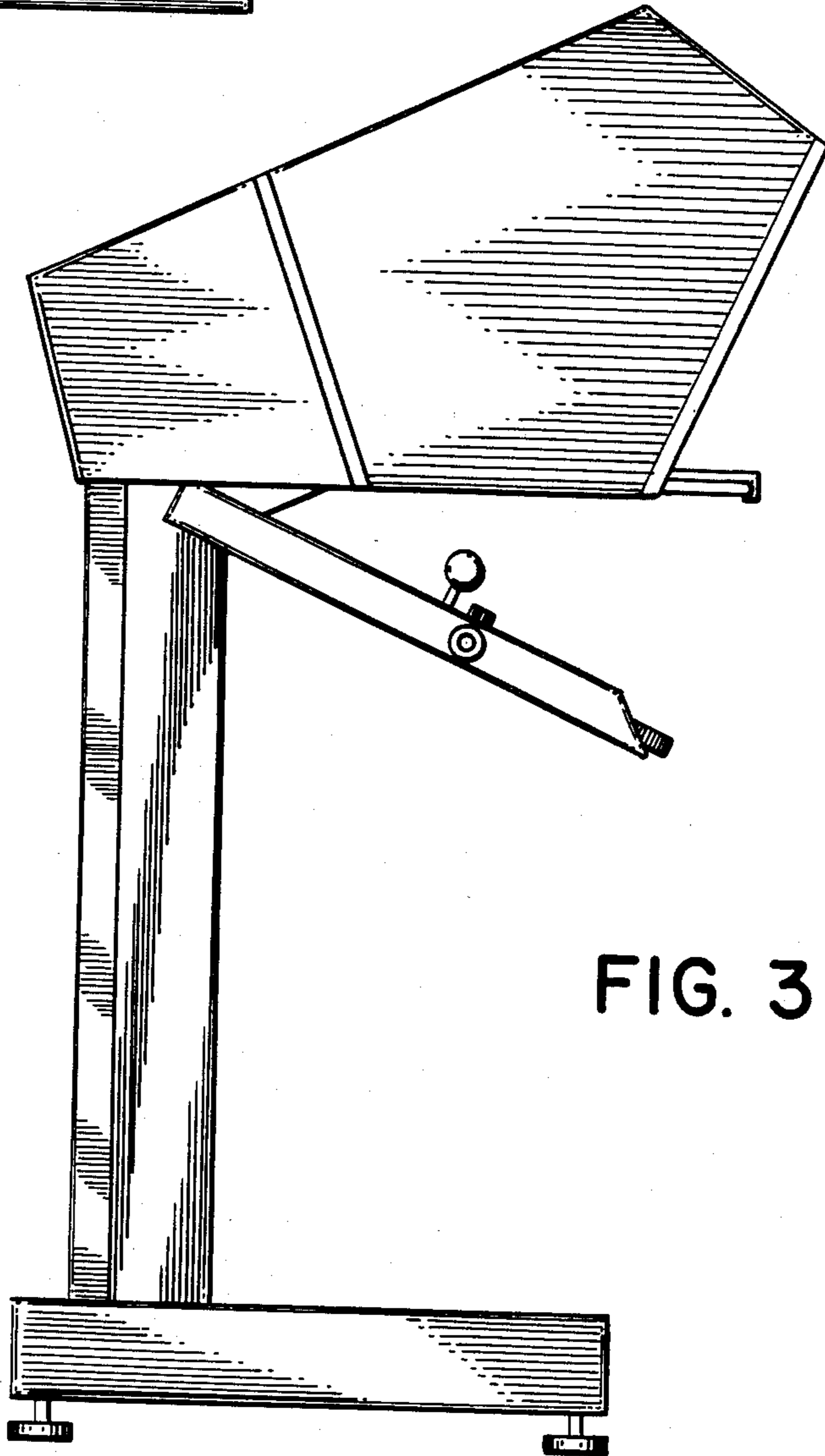


FIG. 3

FIG. 4

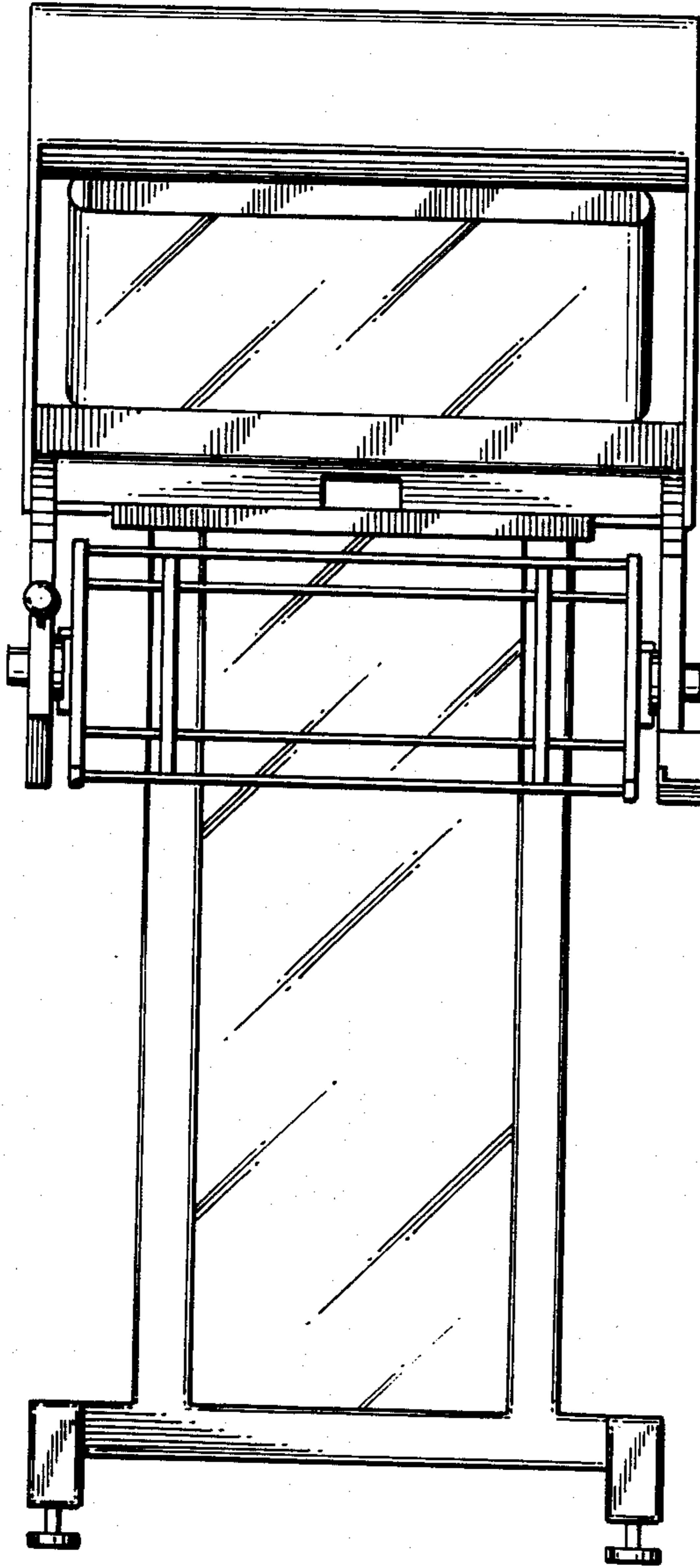


FIG. 5

