

[54] DECOY ANCHOR

[75] Inventor: **Floyd E. Zongker**, Tulsa, Okla.

[73] Assignee: **Zongker Lead Casting, Inc.,**
(Entire), Tulsa, Okla.

[**] Term: **14 Years**

[21] Appl. No.: **688,485**

[22] Filed: **May 20, 1976**

[51] Int. Cl. **D12-16**

[52] U.S. Cl. **D12/215**

[58] Field of Search **D12/215; 114/294, 301**

[56]

References Cited

U.S. PATENT DOCUMENTS

202,488	4/1878	Twiss	114/301
2,630,093	3/1953	Toal	114/294
D. 53,703	8/1919	Boyles	D12/215
D. 118,869	2/1940	Tower	D12/215

Primary Examiner—Alan P. Douglas
Attorney, Agent, or Firm—Harvey B. Jacobson

[57]

CLAIM

The ornamental design for a decoy anchor, as shown and described.

DESCRIPTION

FIG. 1 is a perspective view of a decoy anchor showing my new design;

FIG. 2 is a front elevational view thereof;

FIG. 3 is a side elevational view thereof;

FIG. 4 is a top plan view thereof; and

FIG. 5 is a bottom plan view thereof.

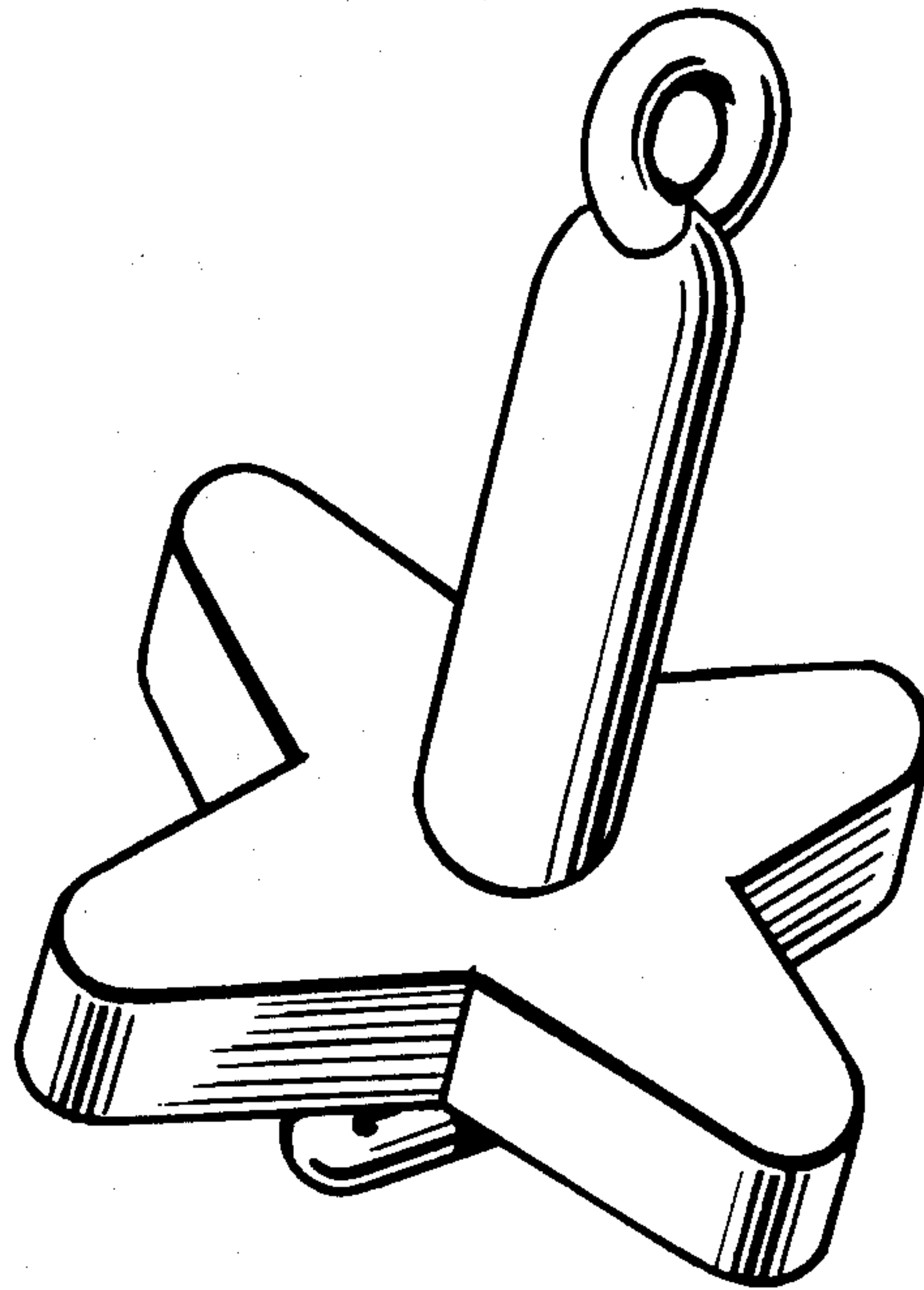


Fig. 1

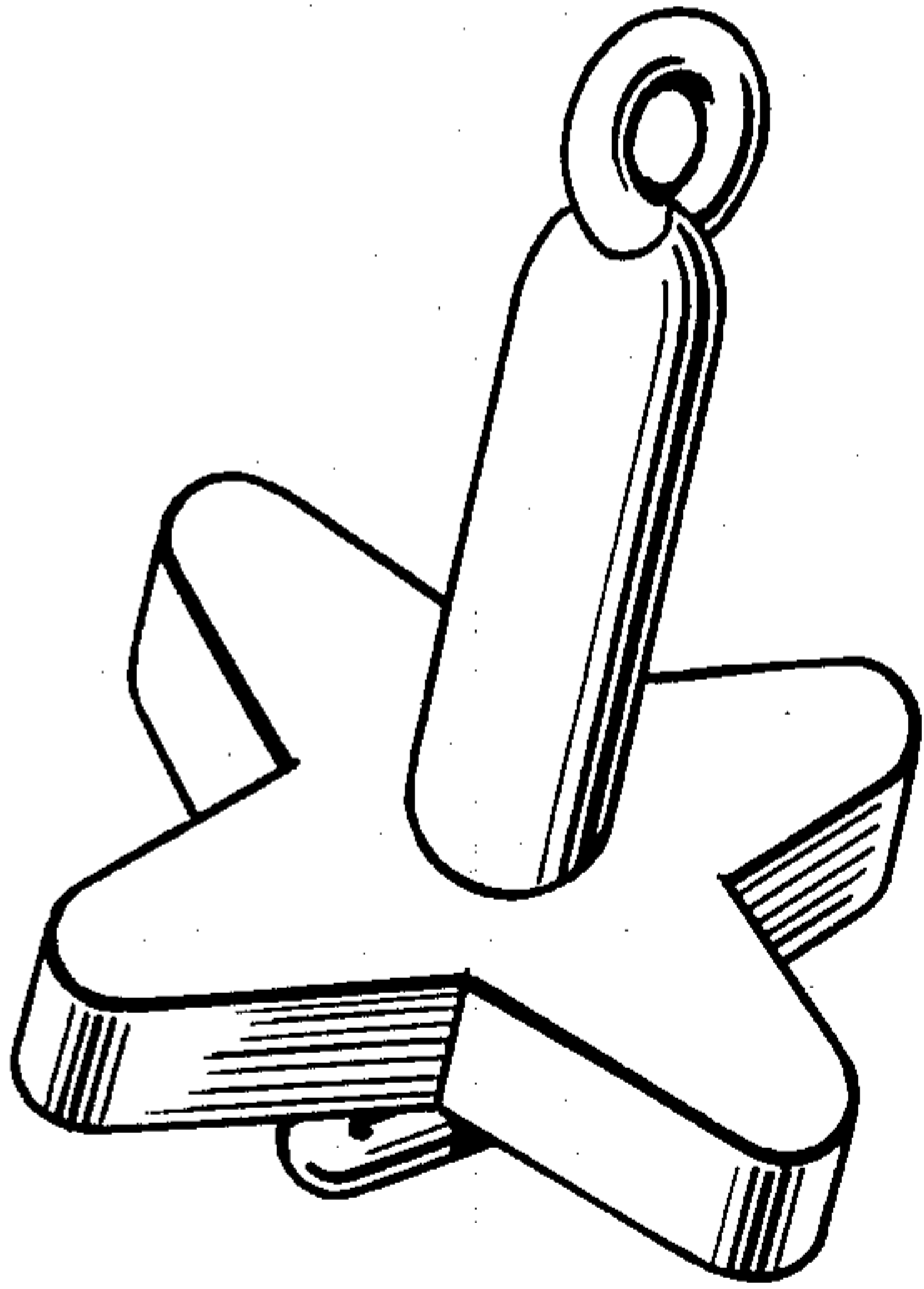


Fig. 2

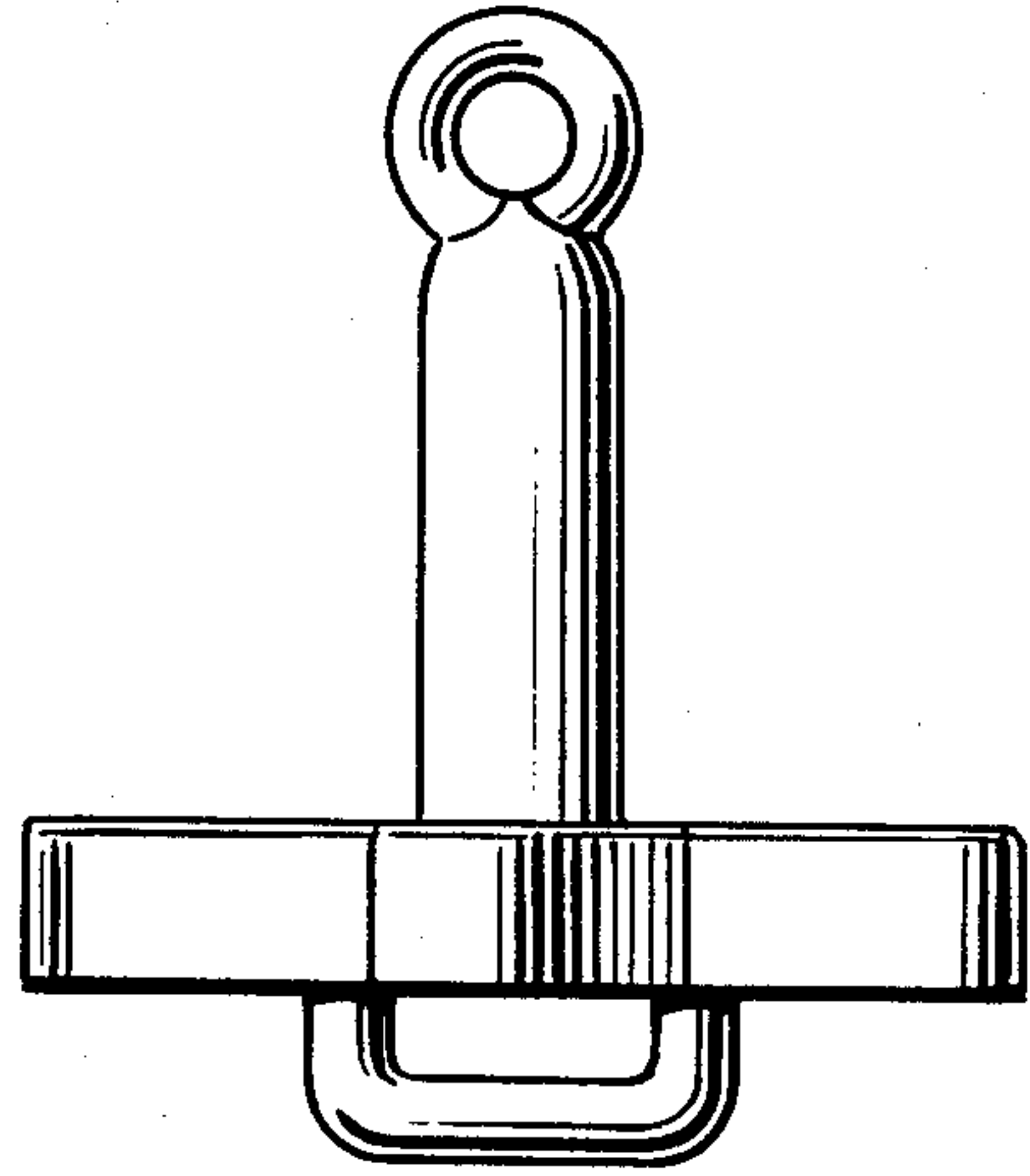


Fig. 4

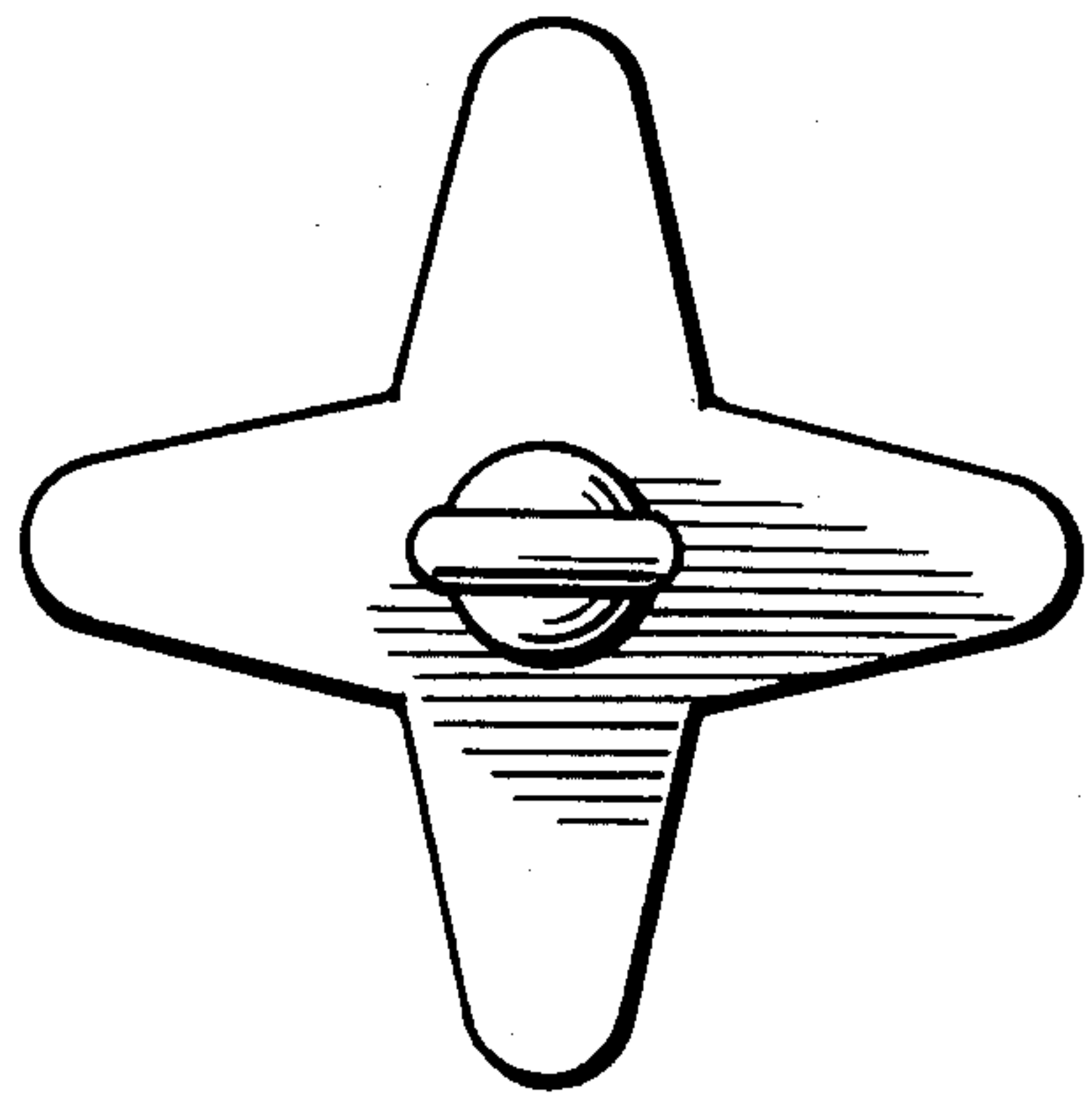


Fig. 3

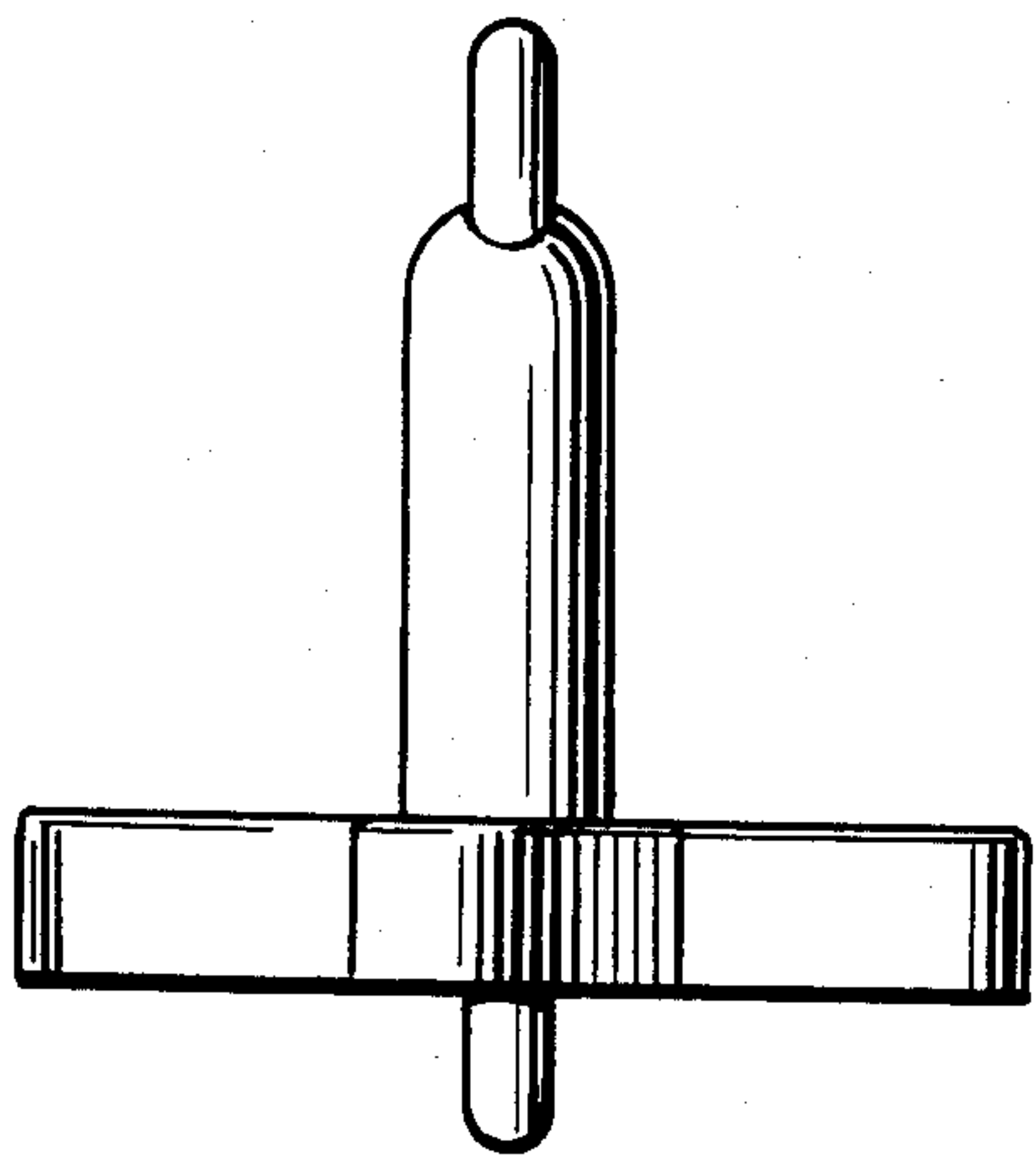


Fig. 5

