

[54] METAL FORMING PRESS

[76] Inventor: Dugmore Dennis Slattery, 177 Kestell Street, Potgietersrus, Transvaal Province, South Africa

[**] Term: 14 Years

[21] Appl. No.: 663,379

[22] Filed: Mar. 3, 1976

[30] Foreign Application Priority Data

Sept. 8, 1975 South Africa 75/1298

[51] Int. Cl. D15-09

[52] U.S. Cl. D15/123

[58] Field of Search D15/123

[56] References Cited

U.S. PATENT DOCUMENTS

D. 224,451 7/1972 Marks D15/123
D. 231,860 6/1974 Gremling D15/123

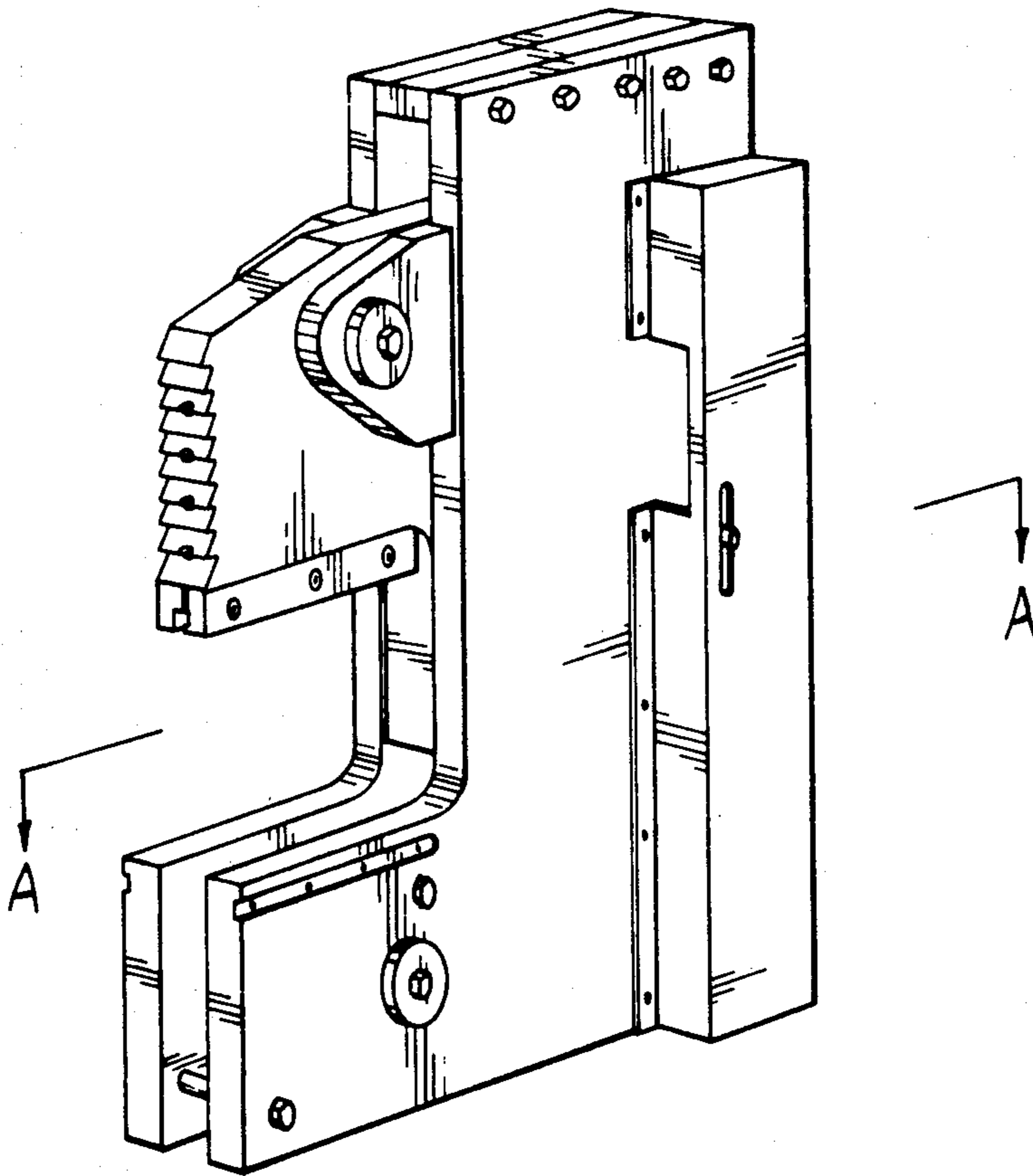
Primary Examiner—Alan P. Douglas
Attorney, Agent, or Firm—Leonard J. Robbins

[57] CLAIM

The ornamental design for a metal forming press, as shown.

DESCRIPTION

FIG. 1 is a front view of the metal forming press
FIG. 2 is an angled front view of the metal forming press
FIG. 3 is a top plan view of the press shown in FIG. 1
FIG. 4 is a section along A—A of FIG. 2, and
FIG. 5 is a side view of the press shown in FIG. 1.



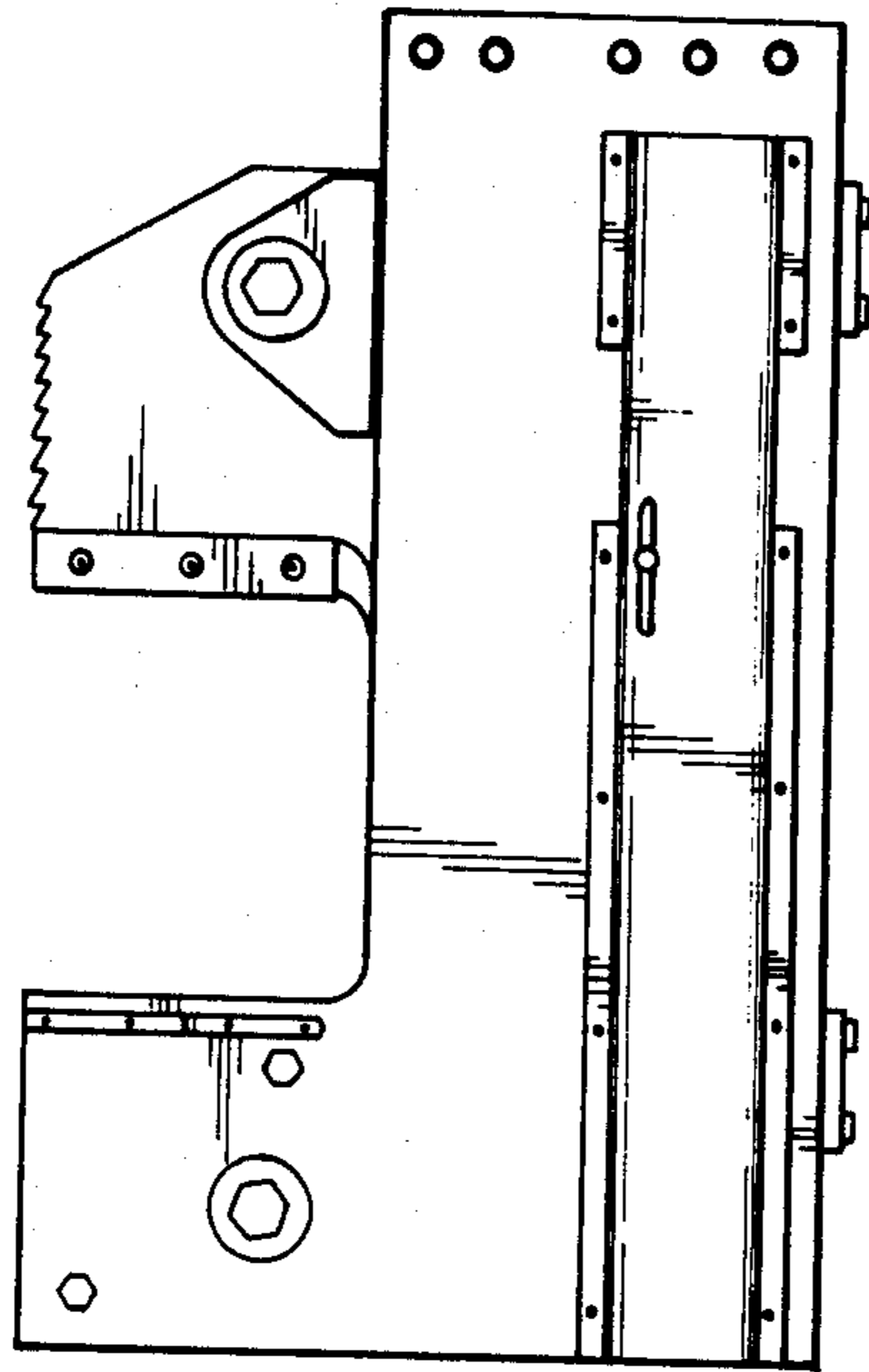


FIG 1

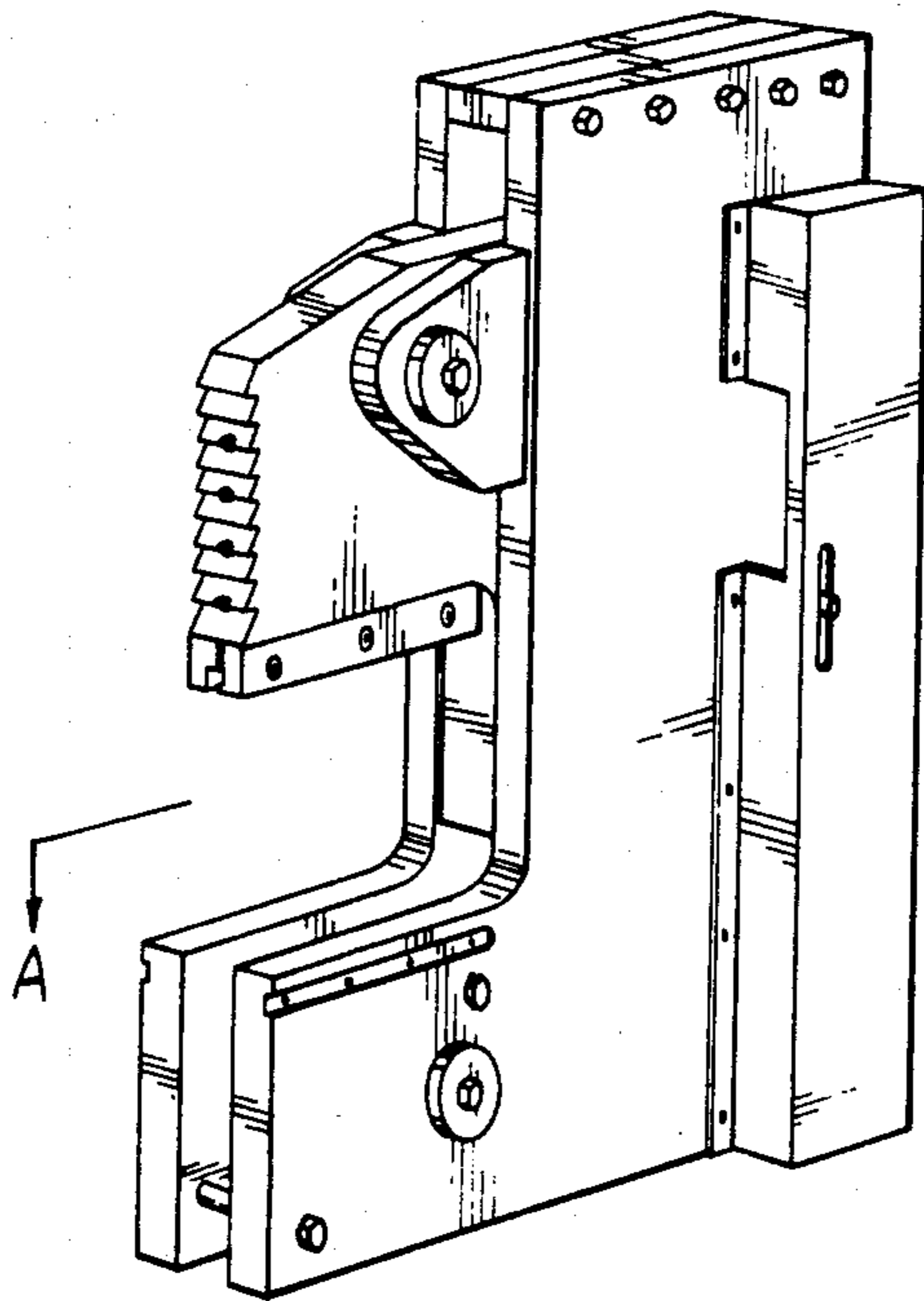


FIG 2

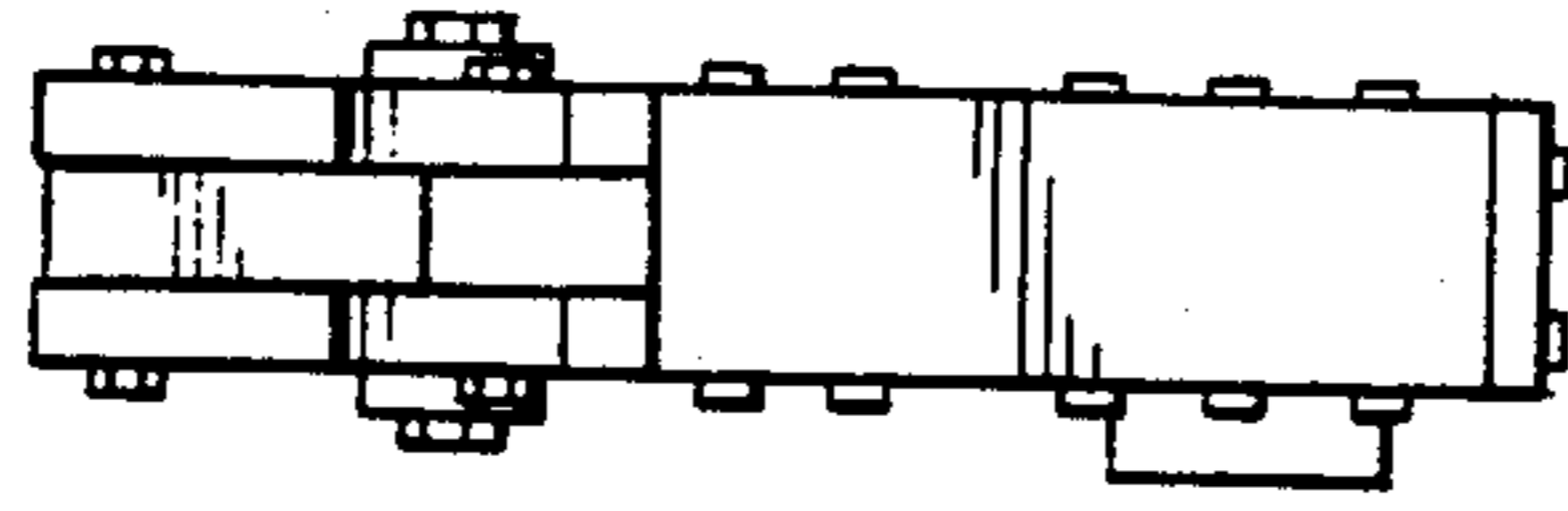


FIG 3

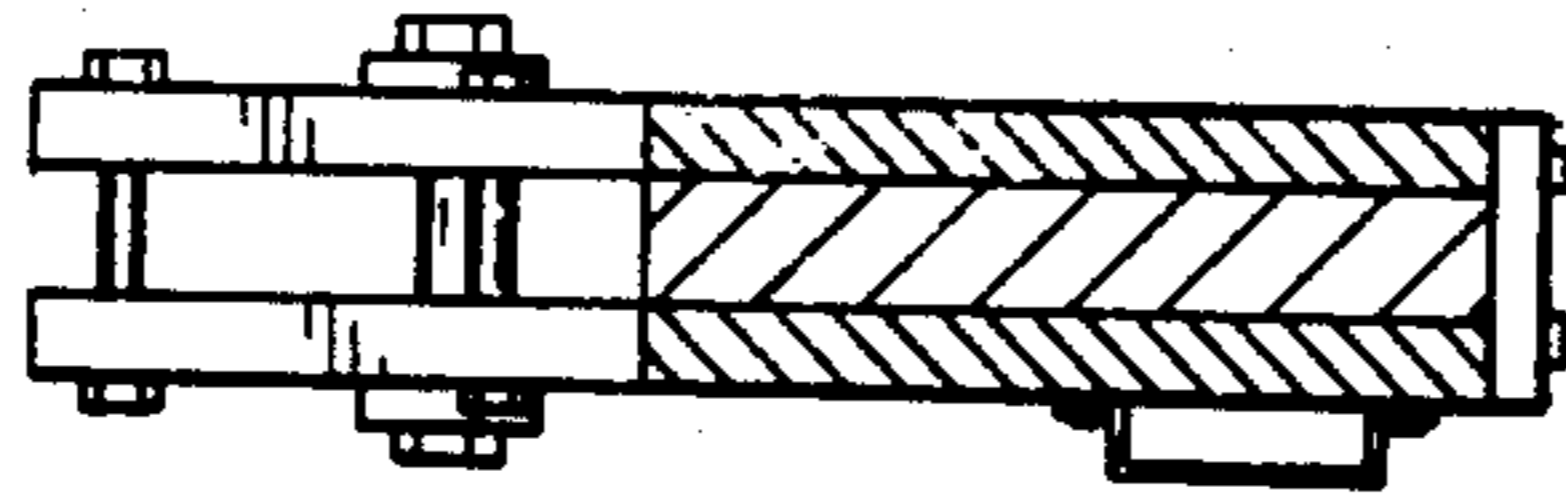


FIG 4

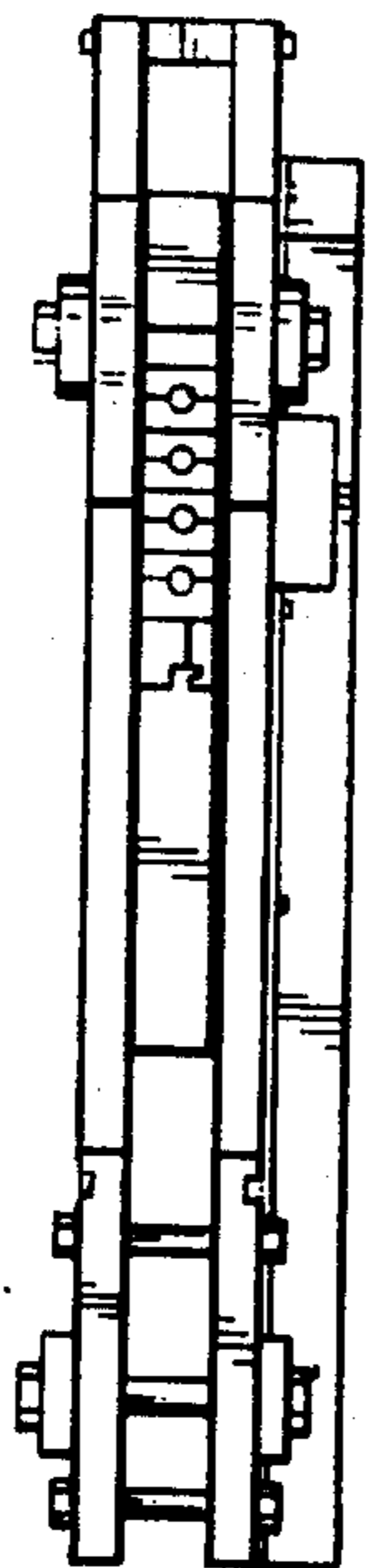


FIG 5