

[54] GRAIN MILL

[76] Inventor: Clarence E. Granzow, 2516 E. Jackson St., Phoenix, Ariz. 85034

[**] Term: 14 Years

[21] Appl. No.: 700,592

[22] Filed: June 28, 1976

[51] Int. Cl. D15-08

[52] U.S. Cl. D15/98

[58] Field of Search D15/124, 98

[56] References Cited

U.S. PATENT DOCUMENTS

D. 136,837 12/1943 Lanter D15/98

D. 192,019 1/1962 Leisenring D15/124
D. 201,030 5/1965 Daniels D15/124

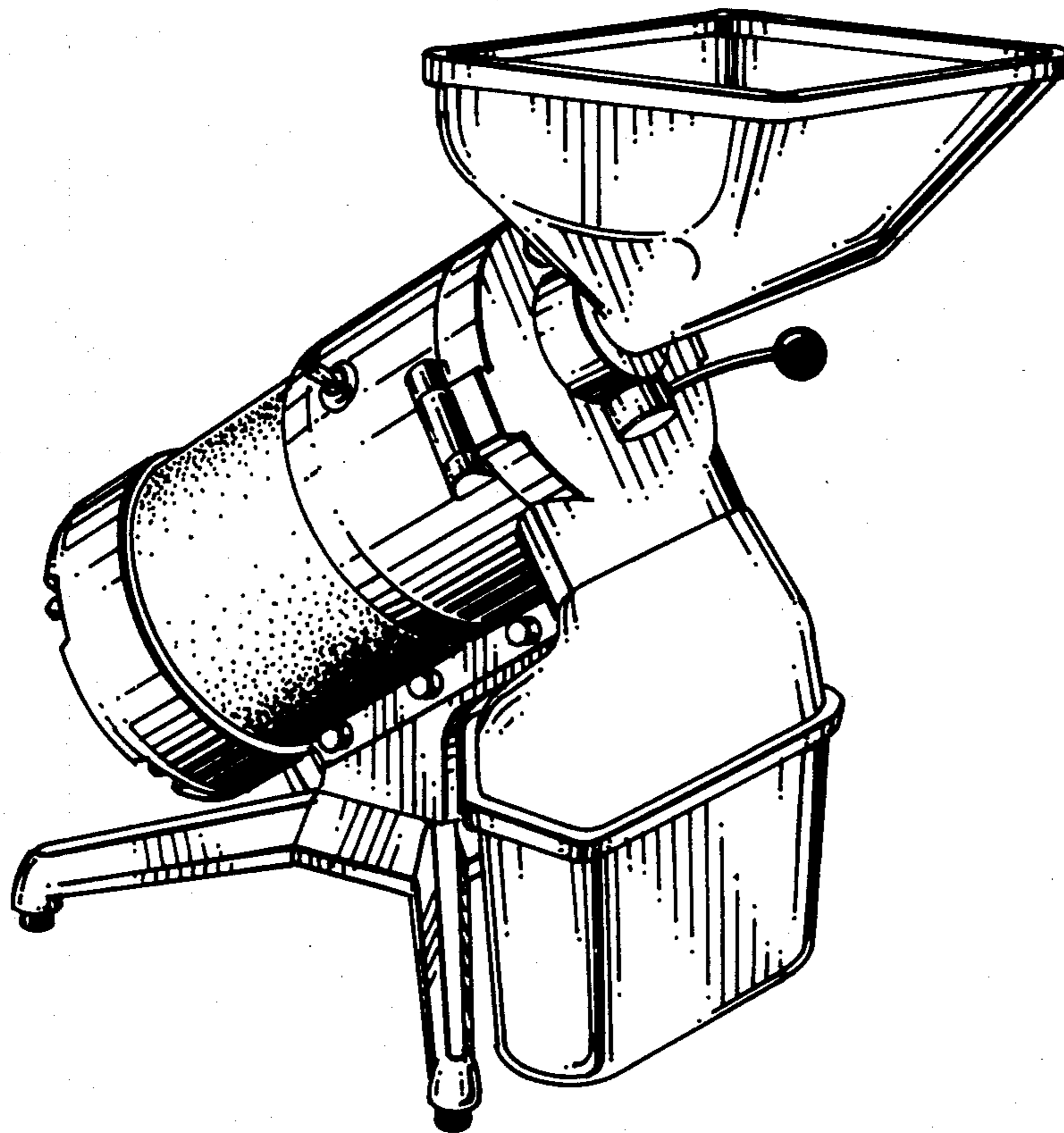
Primary Examiner—Alan P. Douglas
Attorney, Agent, or Firm—Warren F. B. Lindsley

[57] CLAIM

The ornamental design for a grain mill, as shown and described.

DESCRIPTION

FIG. 1 is a perspective view of one side and end of a grain mill showing my new design; FIG. 2 is a perspective view of the other side and end of the grain mill shown in FIG. 1; FIG. 3 is a top view of FIG. 1; and FIG. 4 is a bottom view taken of FIG. 1.



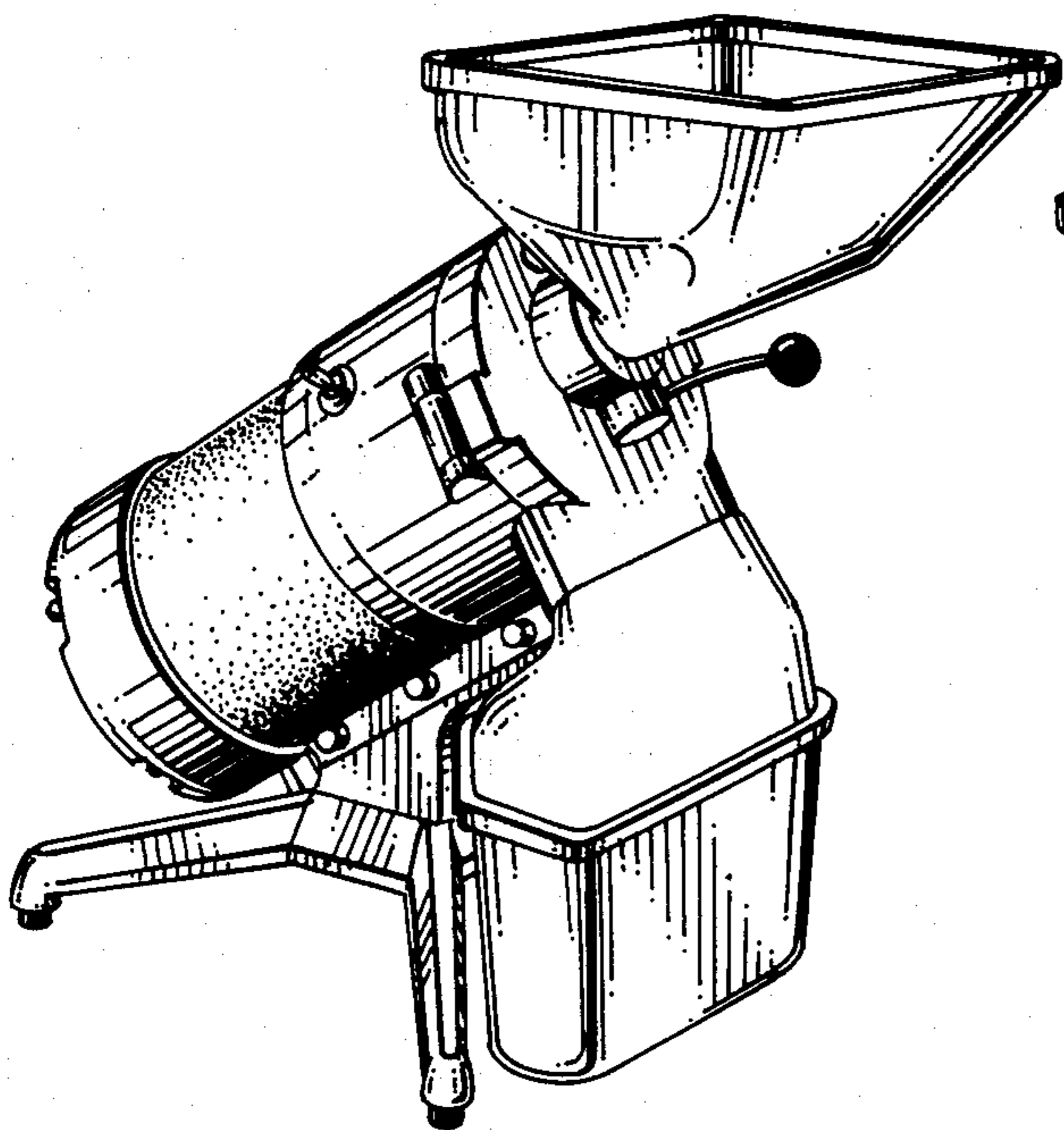


FIG. 1

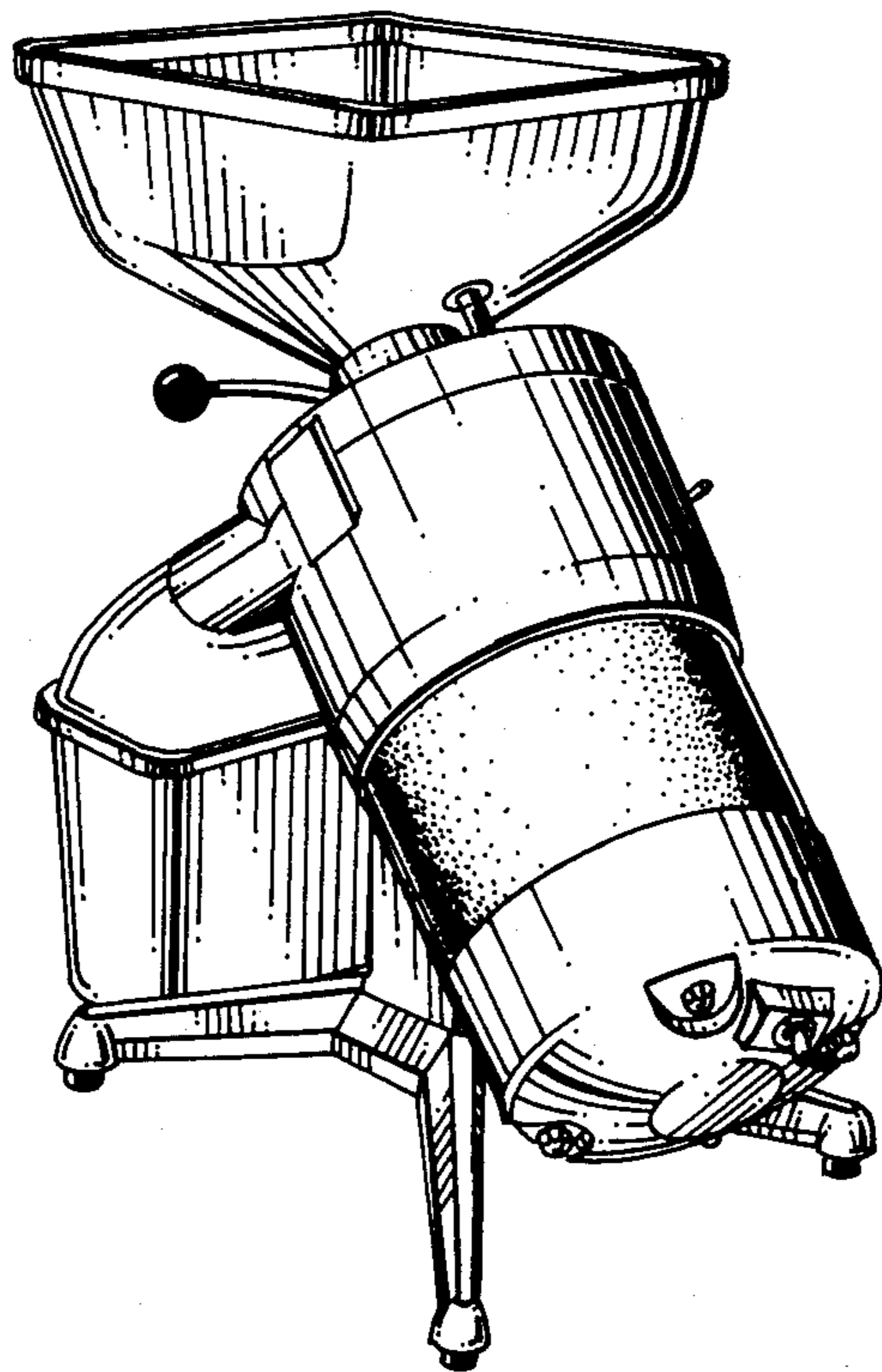


FIG. 2

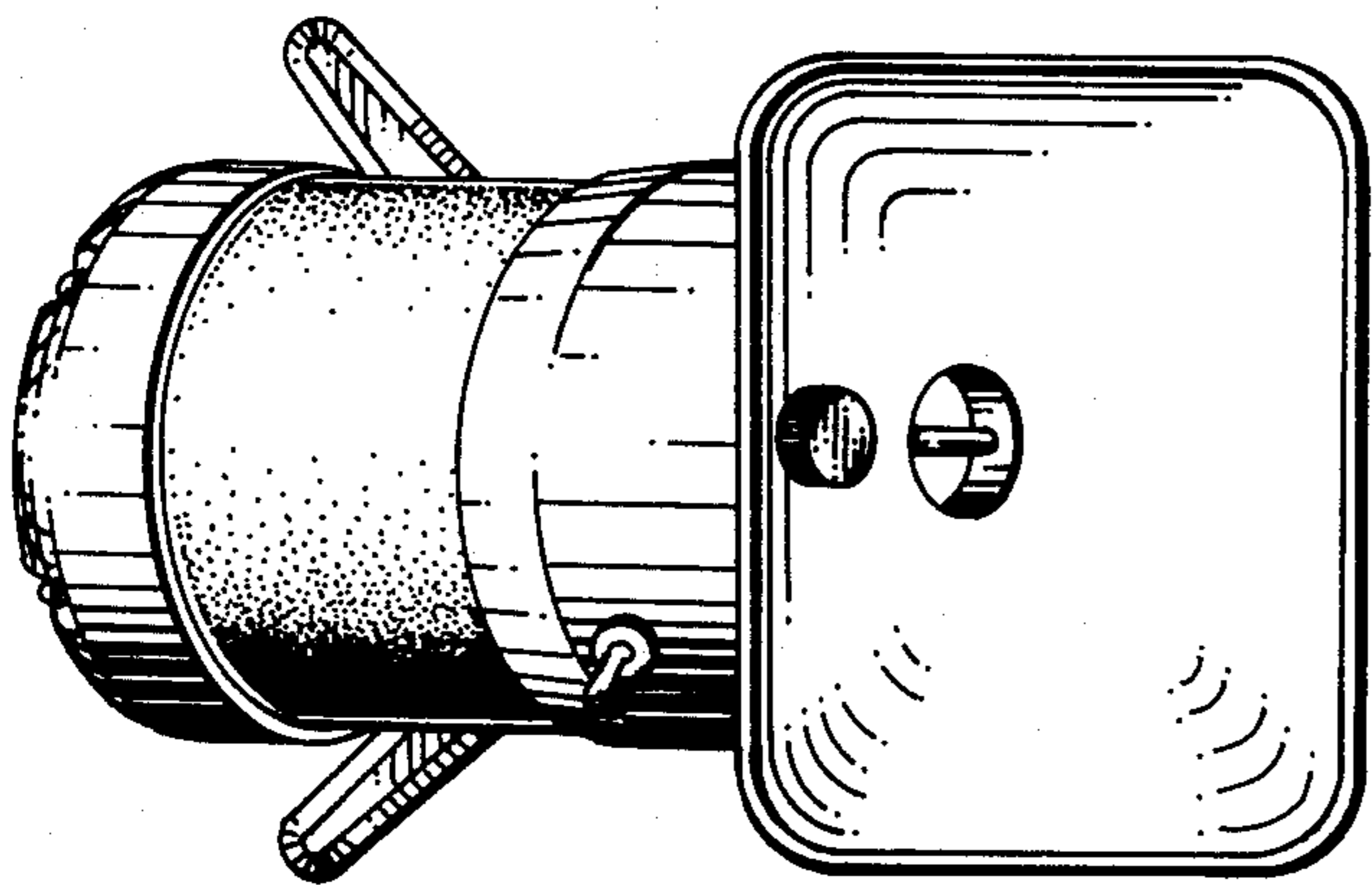


FIG. 3

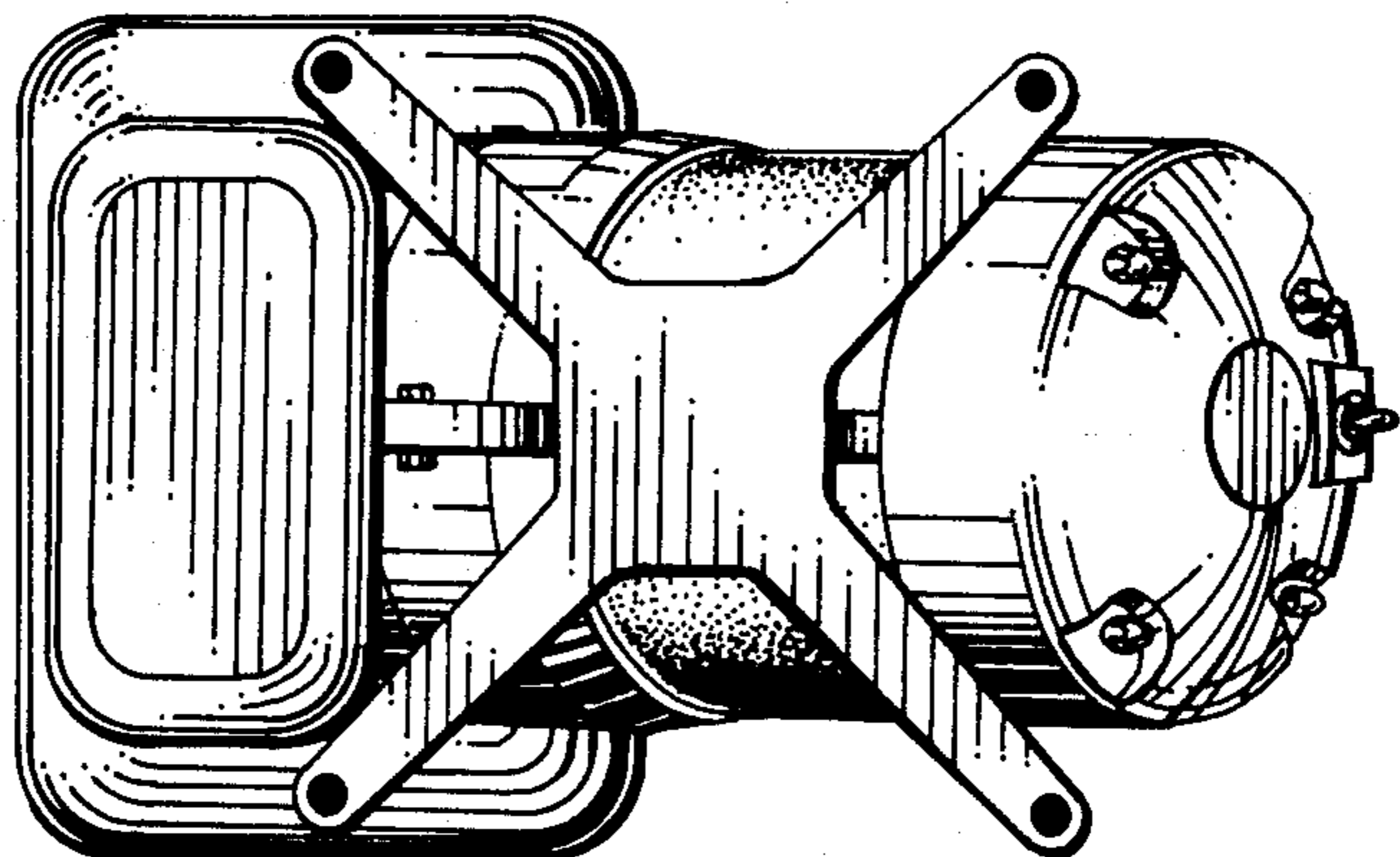


FIG. 4