

[54] **PORTABLE ADJUSTABLE STAND FOR SUPPORTING AN EMBROIDERY HOOP**

[76] Inventor: **Donald I. Bard**, 7901 College Lane, Annandale, Va. 22003

[**] Term: **14 Years**

[21] Appl. No.: **670,813**

[22] Filed: **Mar. 26, 1976**

[51] Int. Cl. **D15-06**

[52] U.S. Cl. **D15/66**

[58] Field of Search D6/85, 29, 30, 31, 23, D6/24; D3/19 A; D7/196; D96/12 A, 12 R; D15/66, 78; 248/188.6, 460, 465; 223/106

[56] **References Cited**

U.S. PATENT DOCUMENTS

3,503,525	3/1970	Loebner	248/188.6 X
3,899,164	8/1975	Newman	D15/78 X

3,955,722	5/1976	Bard	D3/19 A X
D. 30,120	1/1899	Hiemenz	D7/196
D. 174,739	5/1955	Crockett, Jr.	D6/29 X
D. 179,238	11/1956	Bohannon	D15/66
D. 211,432	6/1968	Gelles	D6/181
D. 241,784	10/1976	Myers	D3/19 A X

Primary Examiner—Bruce W. Dunkins
Attorney, Agent, or Firm—A. Yates Dowell, Jr.

[57] **CLAIM**

The ornamental design for a portable adjustable stand for supporting an embroidery hoop, as shown.

DESCRIPTION

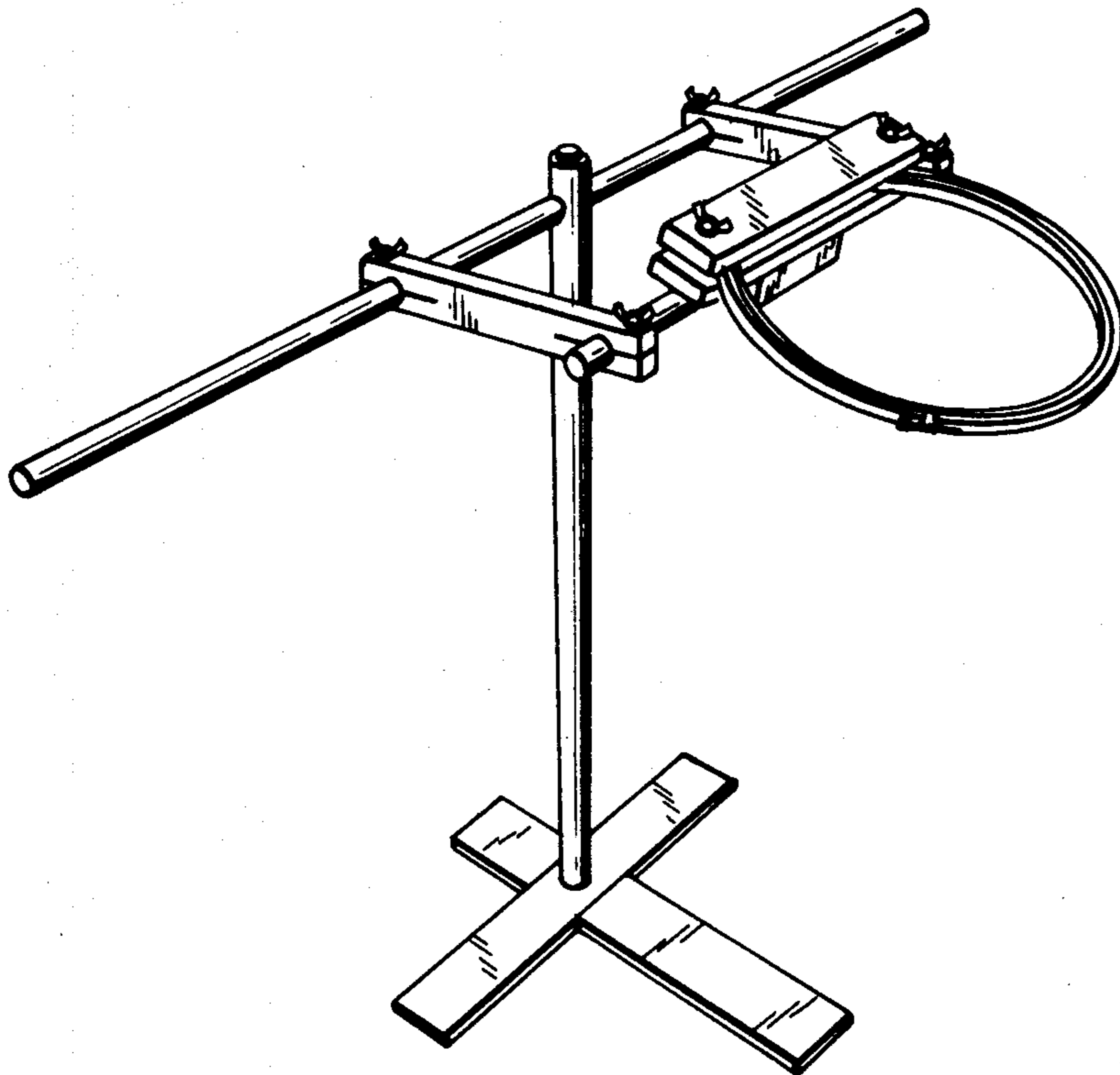
FIG. 1 is a perspective view of a portable adjustable stand for supporting an embroidery hoop showing my design.

FIG. 2 is an enlarged side elevational view thereof.

FIG. 3 is a top plan view thereof.

FIG. 4 is a bottom plan view thereof.

FIG. 5 is a rear elevational view thereof.



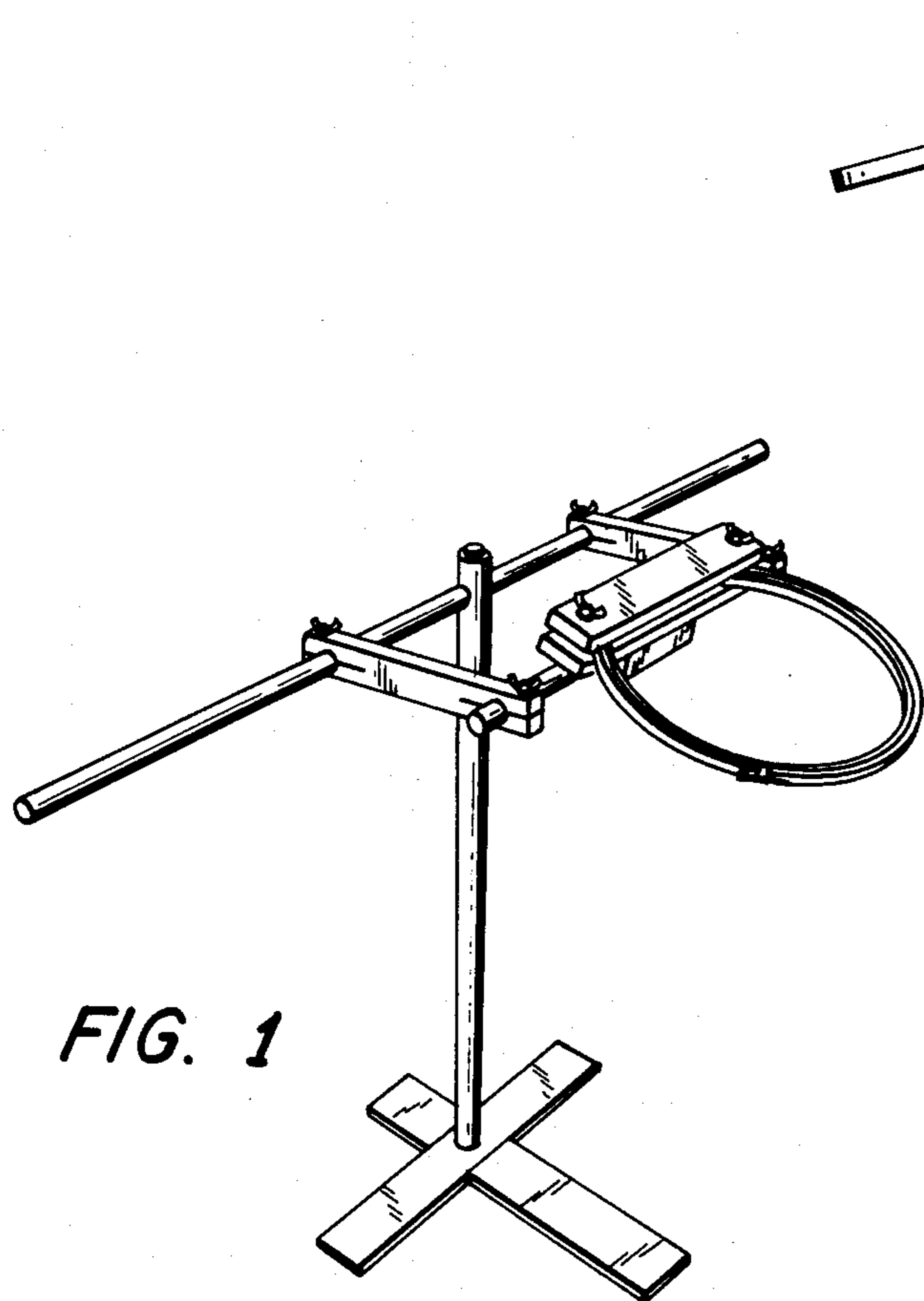


FIG. 1

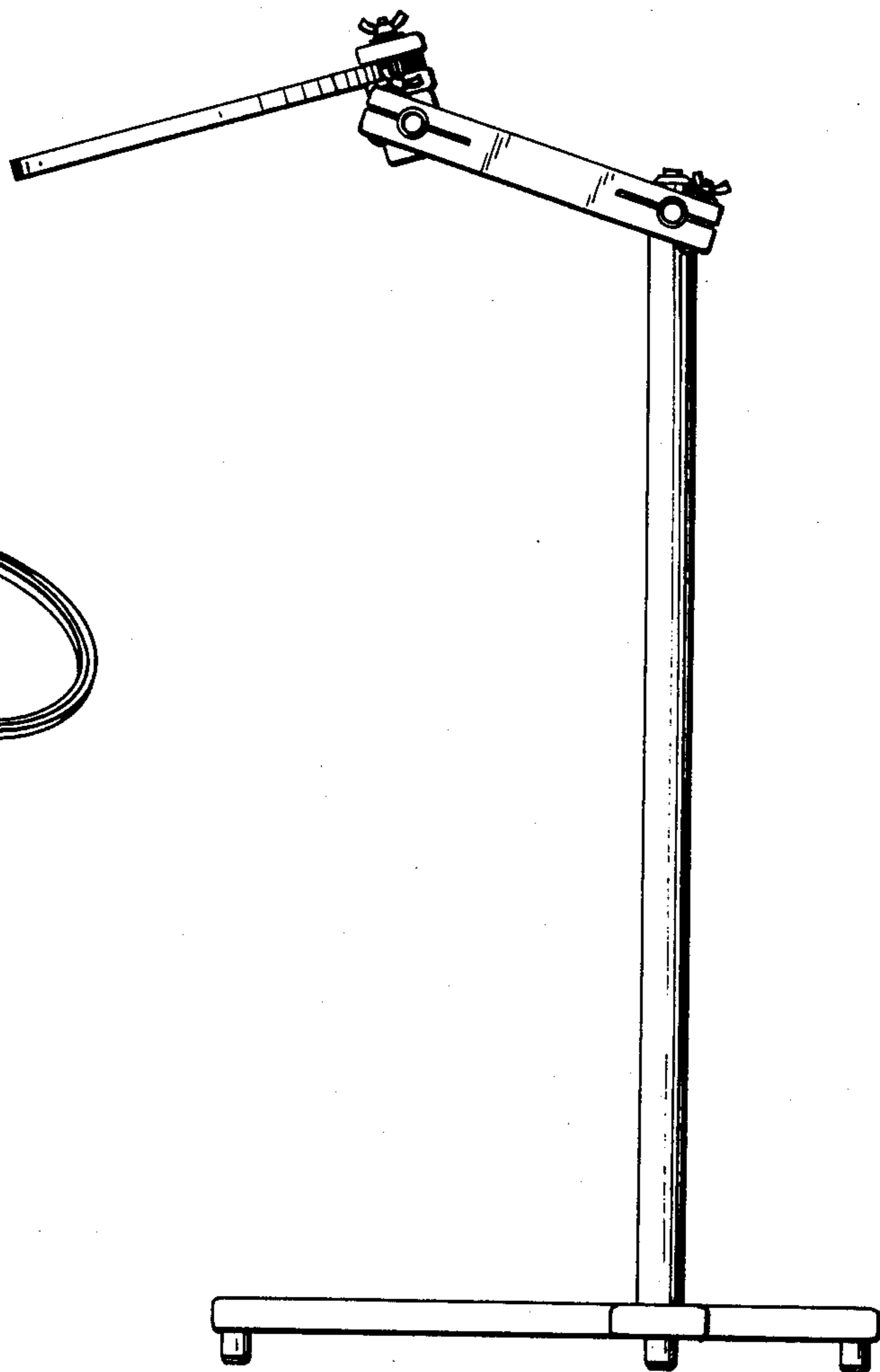


FIG. 2

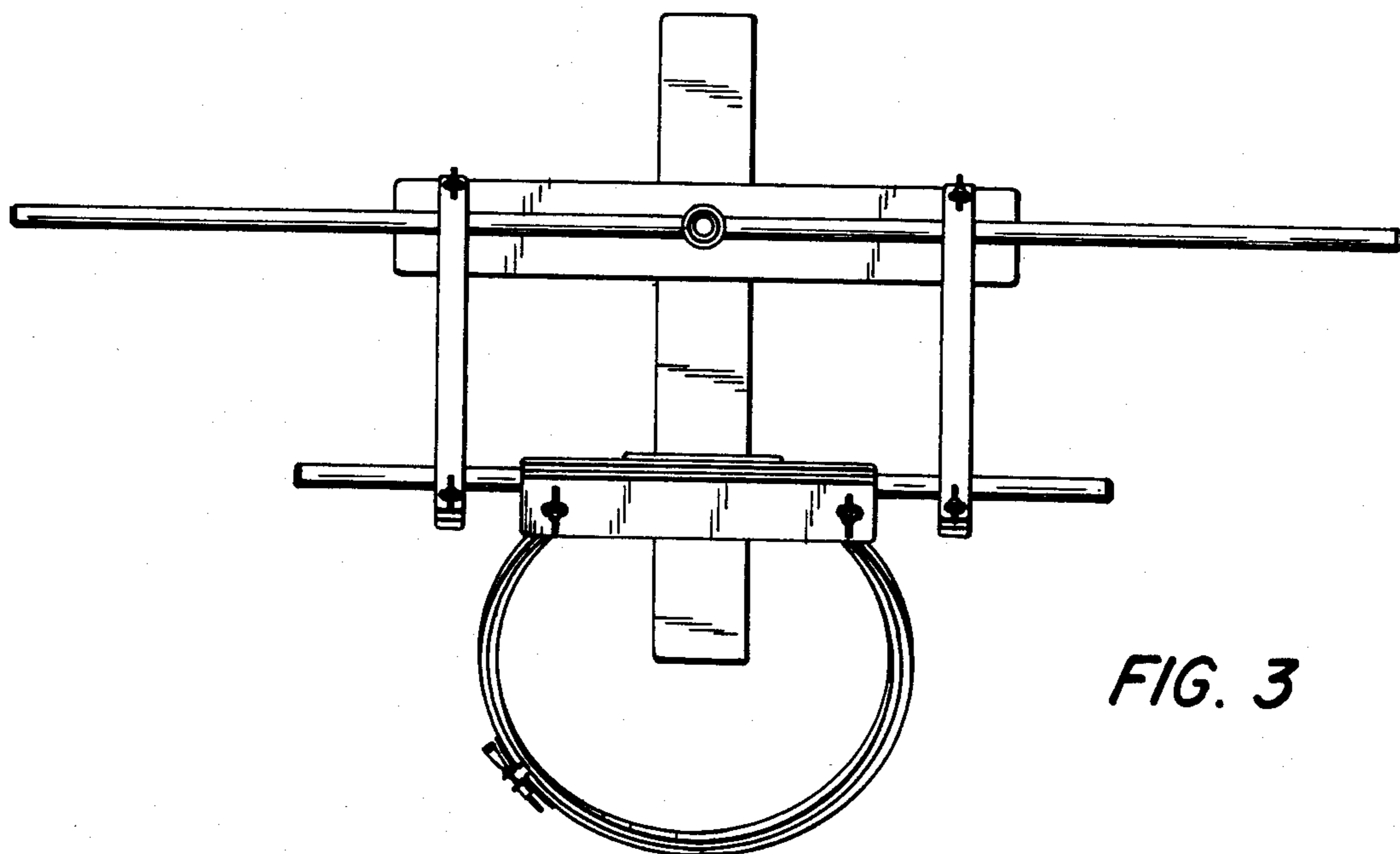


FIG. 3

