

[54] **PORTABLE ADJUSTABLE STAND FOR A NEEDLEWORK FRAME**

[76] Inventor: **Donald I. Bard**, 7901 College Lane, Annandale, Va. 22003

[\*\*] Term: **14 Years**

[21] Appl. No.: **670,812**

[22] Filed: **Mar. 26, 1976**

[51] Int. Cl. .... **D15-06**

[52] U.S. Cl. .... **D15/66**

[58] Field of Search ..... **D6/85, 29, 30, 31, 23, D6/24; D3/19 A; D7/196; D96/12 A, 12 R; D15/66, 78; 248/460, 188.6, 465; 223/106**

[56] **References Cited**

**U.S. PATENT DOCUMENTS**

3,503,525	3/1970	Loebner	.....	248/188.6 X
3,899,164	8/1975	Newman	.....	D15/78 X

3,955,722	5/1976	Bard	.....	D3/19 A X
D. 30,120	1/1899	Hiemenz	.....	D7/196
D. 174,739	5/1955	Crockett, Jr.	.....	D6/29 X
D. 179,238	11/1956	Bohannon	.....	D15/66
D. 211,432	6/1968	Gelles	.....	D6/181
D. 241,784	10/1976	Myers	.....	D3/19 A X

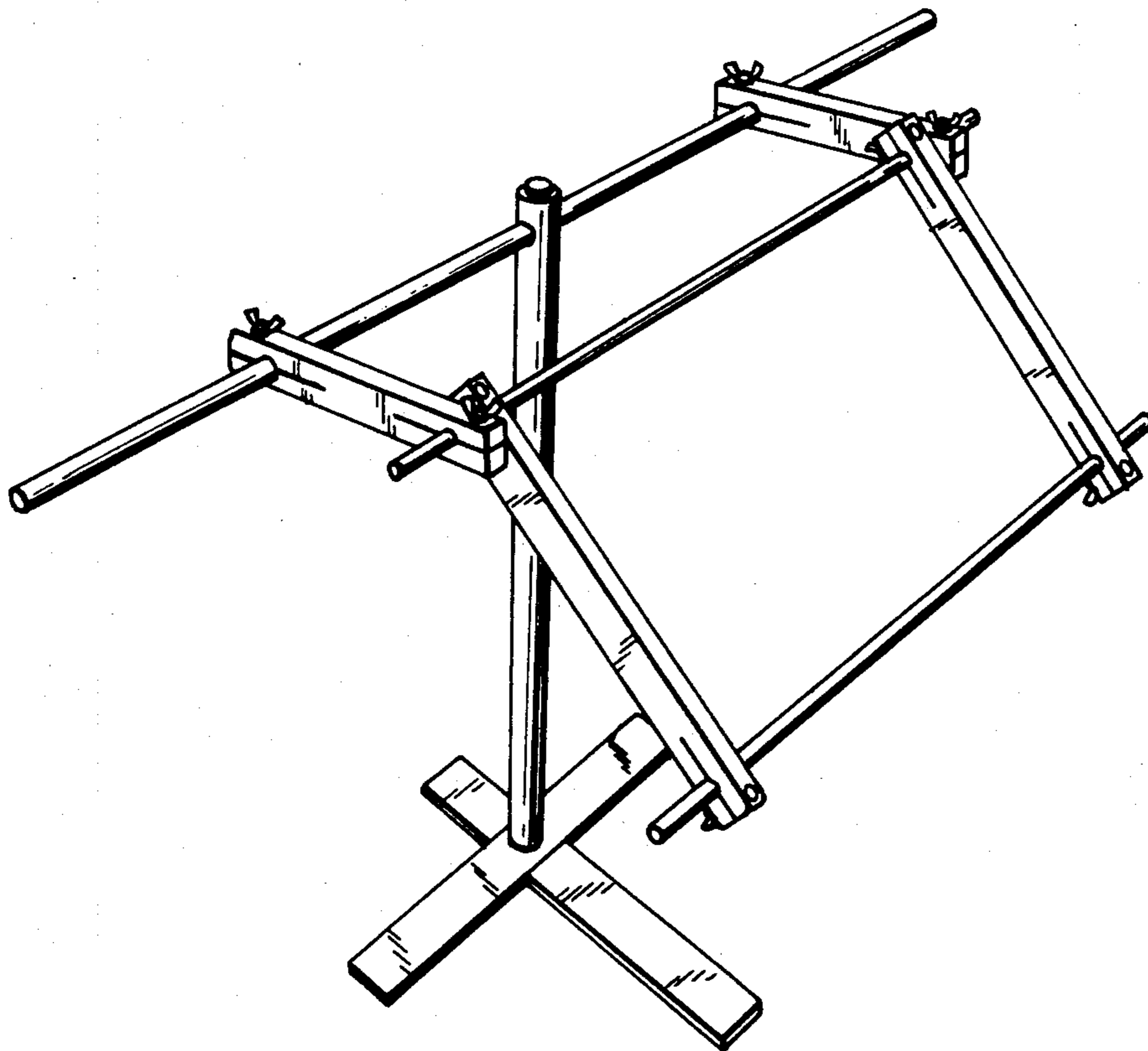
*Primary Examiner*—Bruce W. Dunkins  
*Attorney, Agent, or Firm*—A. Yates Dowell, Jr.

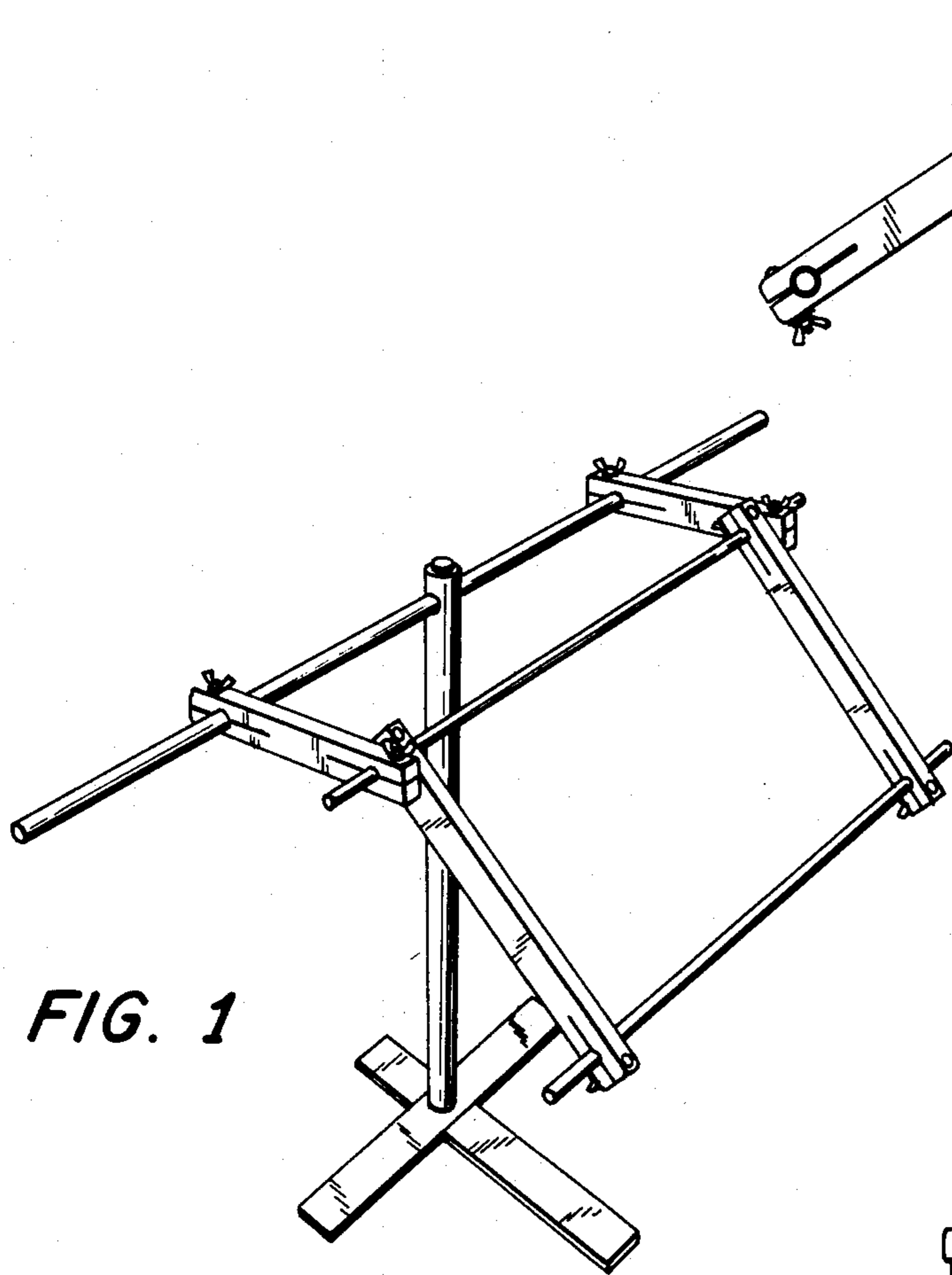
[57] **CLAIM**

The ornamental design for a portable adjustable stand for a needlework frame, as shown.

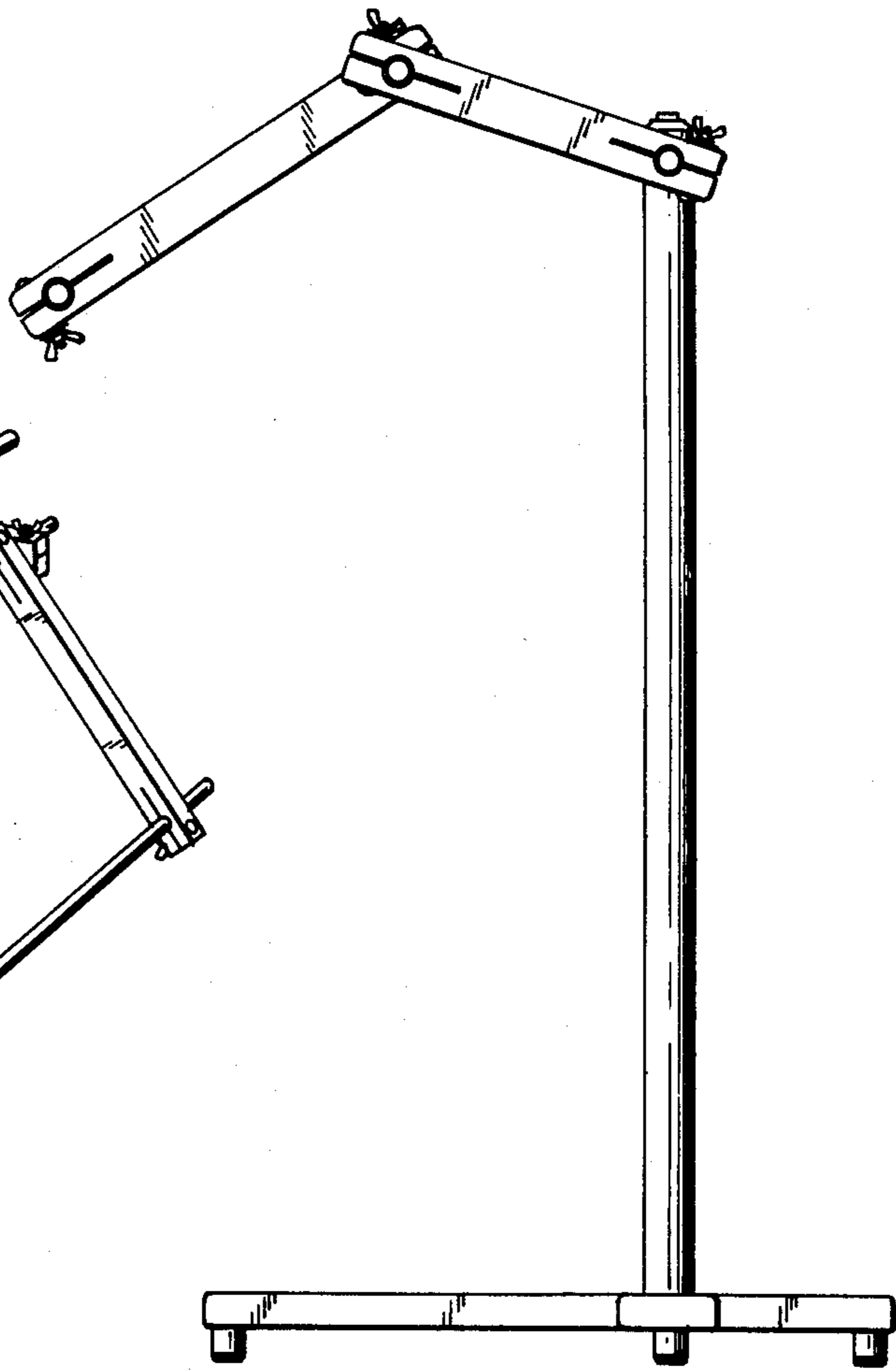
**DESCRIPTION**

FIG. 1 is a perspective view of a portable adjustable stand for a needlework frame showing my design.  
 FIG. 2 is an enlarged side elevational view thereof.  
 FIG. 3 is a top plan view thereof.  
 FIG. 4 is a bottom plan view thereof.  
 FIG. 5 is a rear elevational view thereof.

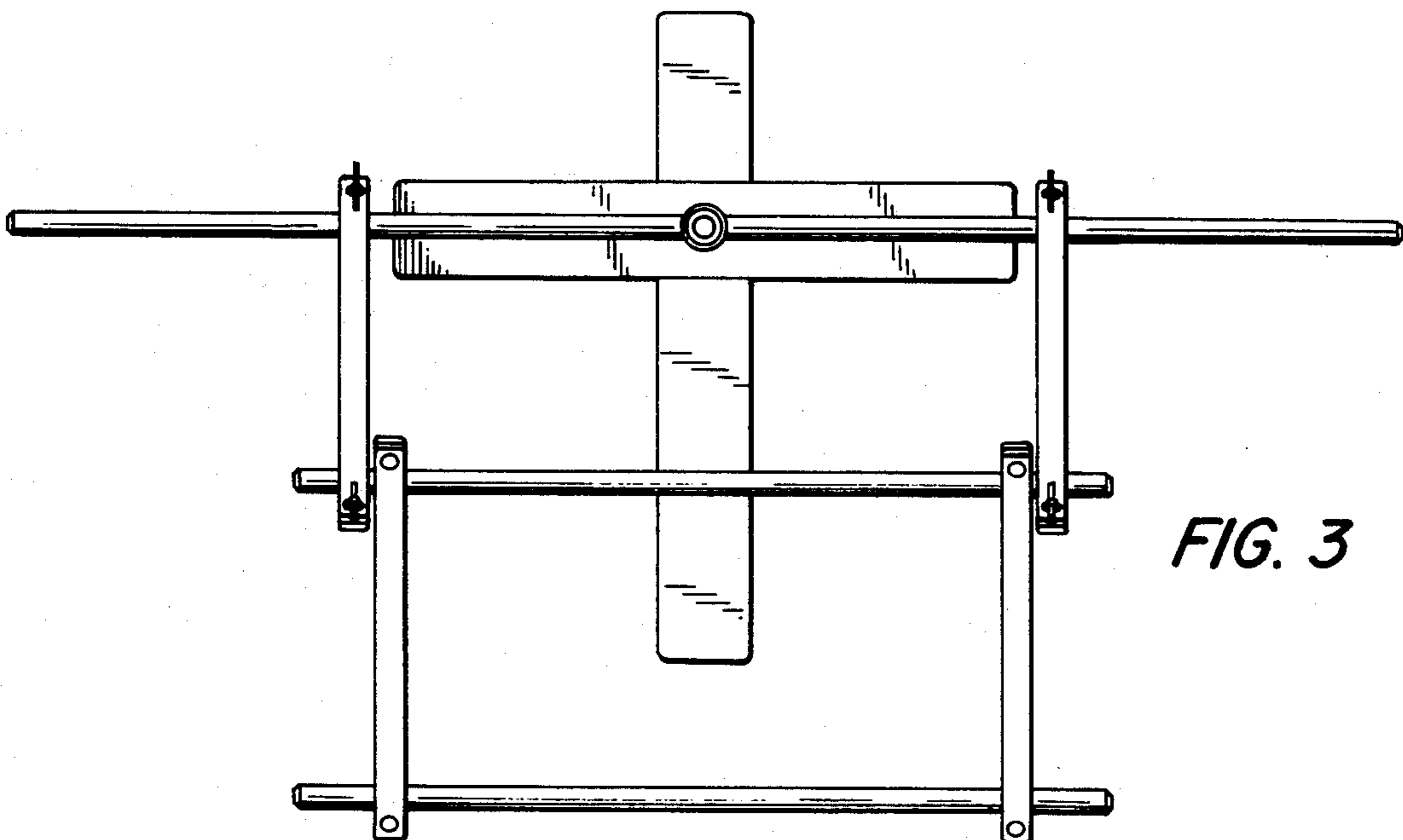




**FIG. 1**



**FIG. 2**



**FIG. 3**

