

[54] COMBINED GROUND RIPPER TOOTH AND HYDRAULIC RESET ASSEMBLY

[76] Inventor: Glen A. Watts, Rte. 1, Box 258, McMinnville, Oreg. 97128

[**] Term: 14 Years

[21] Appl. No.: 664,492

[22] Filed: Mar. 8, 1976

[51] Int. Cl. D15-03

[52] U.S. Cl. D15/29

[58] Field of Search D15/29, 28; 172/699, 172/700, 261, 464, 265-268, 196, 491, 474, 475, 657, 690, 694, 695

[56] References Cited

U.S. PATENT DOCUMENTS

3,536,146	10/1970	Groenke	172/713
3,752,092	8/1973	Vinyard	172/261
3,931,858	1/1976	North	172/196

FOREIGN PATENT DOCUMENTS

225,840 12/1959 Australia 172/266

Primary Examiner—Wallace R. Burke
Assistant Examiner—James M. Gandy
Attorney, Agent, or Firm—Oliver D. Olson

[57] CLAIM

The ornamental design for a combined ground ripper tooth and hydraulic reset assembly, as shown and described.

DESCRIPTION

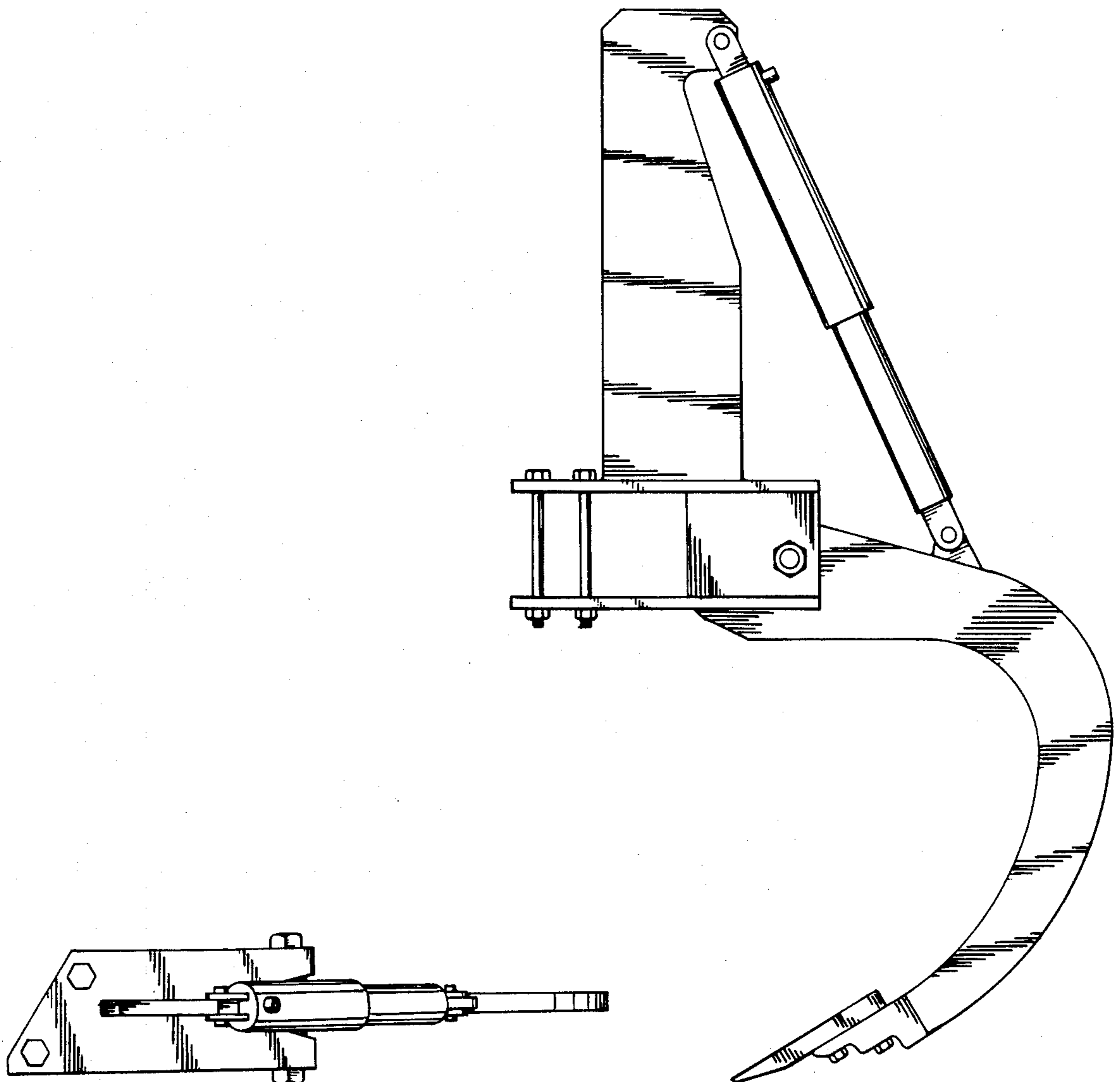
FIG. 1 is a side elevational view of a combined ground ripper tooth and hydraulic reset assembly, showing my new design, the opposite side being a mirror image thereof.

FIG. 2 is a top plan view thereof.

FIG. 3 is a front elevational view thereof.

FIG. 4 is a rear elevational view thereof.

FIG. 5 is a bottom plan view thereof.



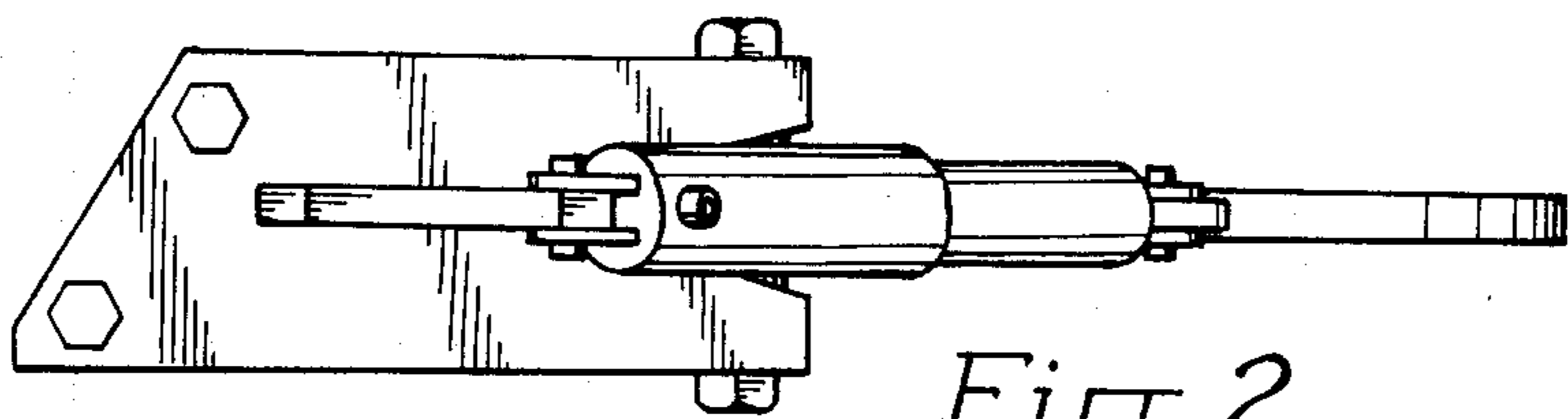


Fig. 2.

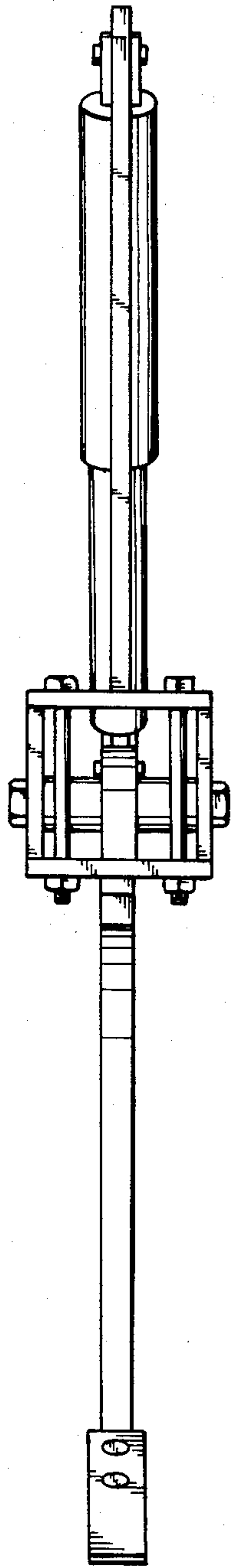


Fig. 3.

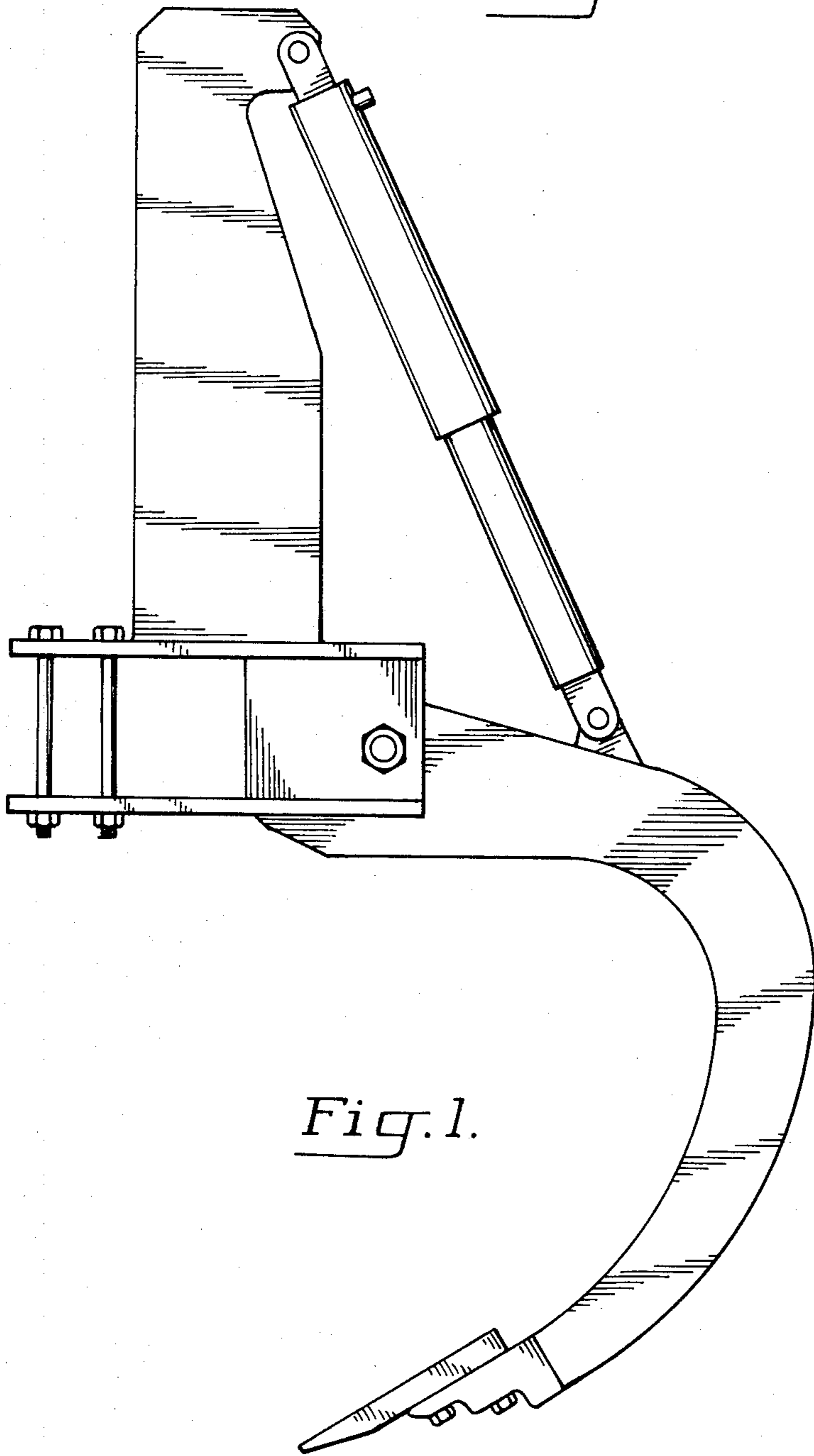


Fig. 1.

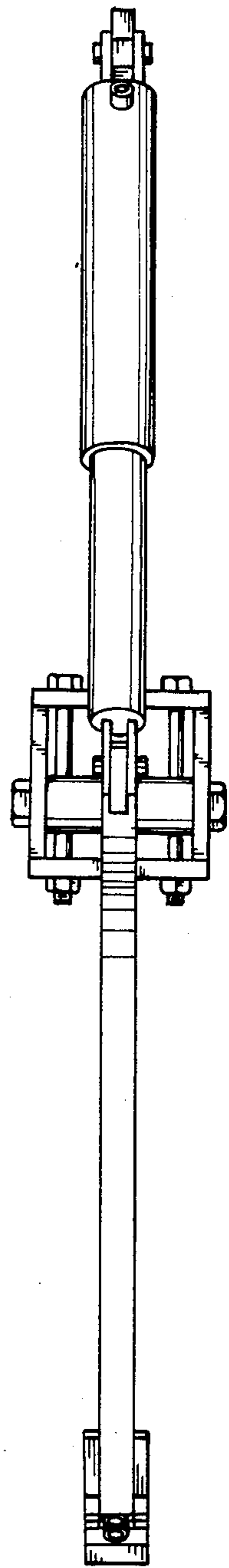


Fig. 4.

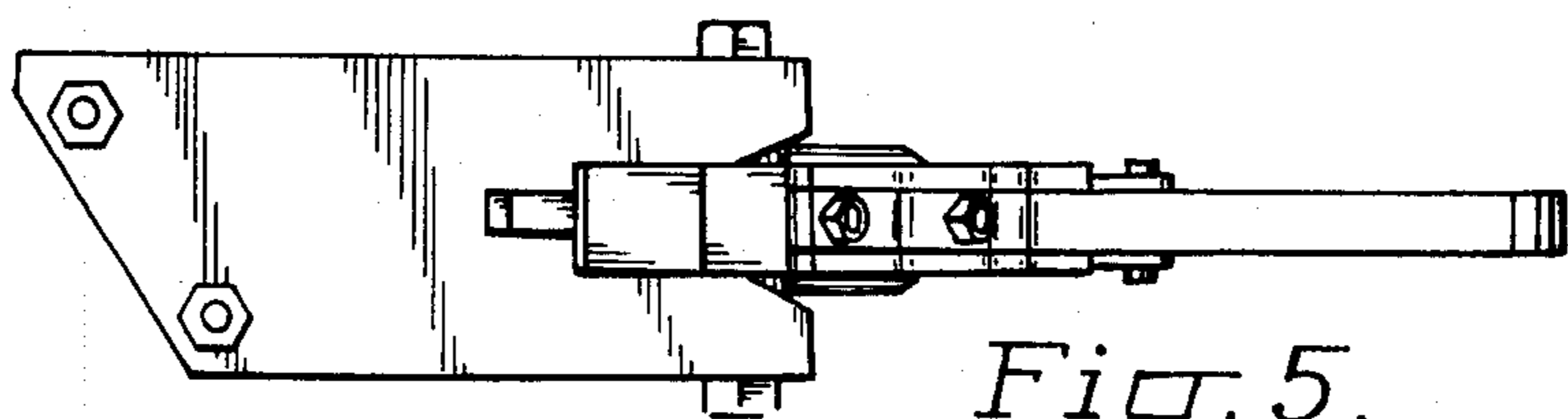


Fig. 5.