

[54] **HYDRAULIC RESET GROUND RIPPER IMPLEMENT**

[76] Inventor: **Glen A. Watts**, Rte. 1, Box 258, McMinnville, Oreg. 97128

[**] Term: **14 Years**

[21] Appl. No.: **664,491**

[22] Filed: **Mar. 8, 1976**

[51] Int. Cl. **D15-03**

[52] U.S. Cl. **D15/11**

[58] Field of Search **D15/27, 11; 172/699, 172/700, 261, 464, 196, 491, 265-268, 474, 475, 657, 690, 694, 695**

[56] **References Cited**

U.S. PATENT DOCUMENTS

3,450,212	6/1969	Sylvester	172/699
3,752,092	8/1973	Vinyard	172/261
D. 216,143	11/1969	Cline	D15/11

FOREIGN PATENT DOCUMENTS

225,840	12/1959	Australia	172/266
---------	---------	-----------------	---------

OTHER PUBLICATIONS

Implement & Tractor, 9/21/72, p. 32, Chisel Plow, No. 600003, bottom right side of page.

Implement & Tractor, 9/7/72, p. 36, Chisel Plow, bottom right side of page.

Implement & Tractor, 1/31/75, p. 95, Chisel Plow Model Twelve-Fifty.

Implement & Tractor, 3/31/74, p. 92, Chisel Plow, bottom right side of page.

Primary Examiner—Wallace R. Burke

Assistant Examiner—James M. Gandy

Attorney, Agent, or Firm—Oliver D. Olson

[57] **CLAIM**

The ornamental design for an hydraulic reset ground ripper implement, as shown and described.

DESCRIPTION

FIG. 1 is a top plan view of a hydraulic reset ground ripper implement showing my new design;

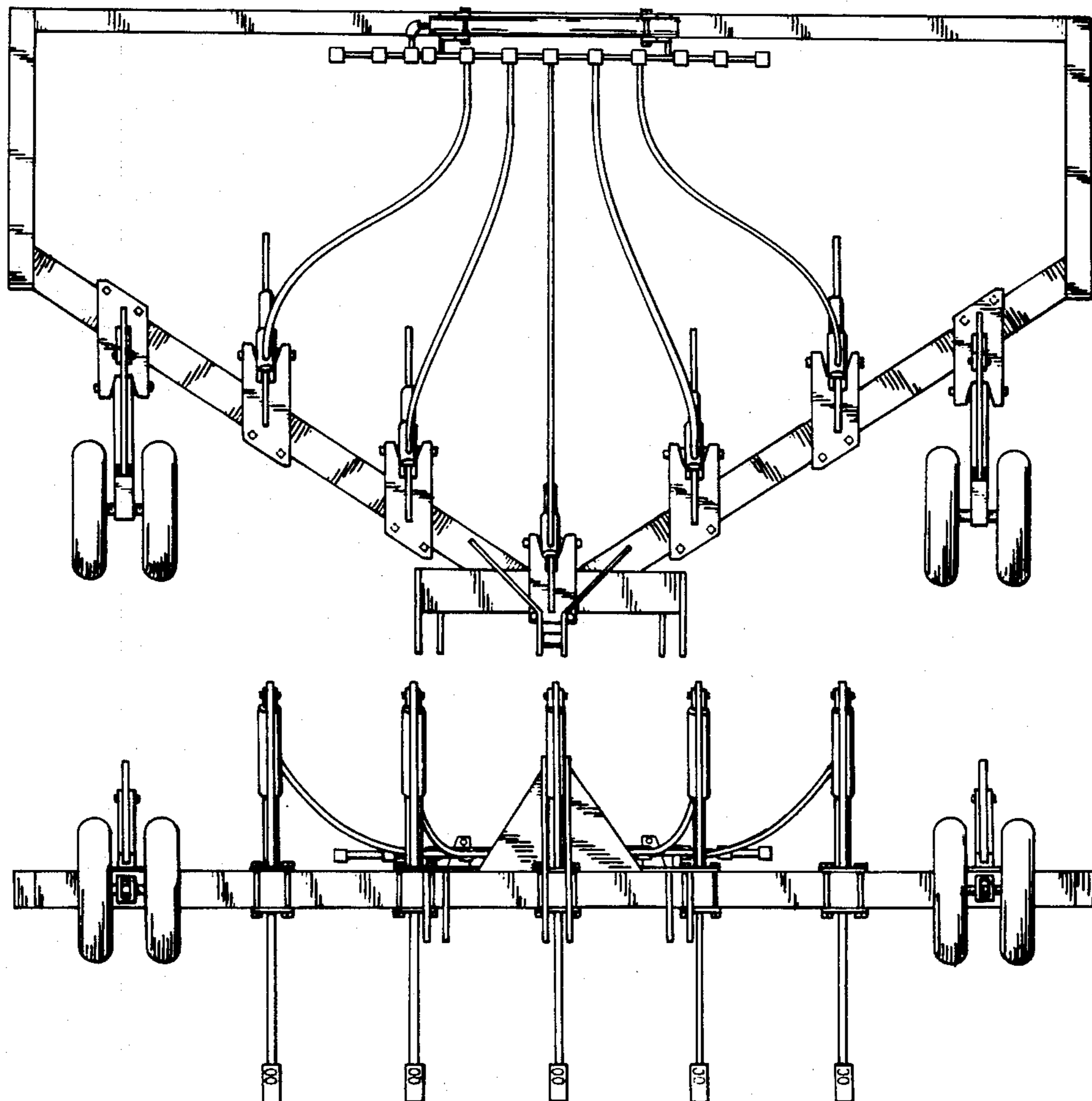
FIG. 2 is a front elevational view thereof;

FIG. 3 is a rear elevational view thereof;

FIG. 4 is a bottom plan view thereof;

FIG. 5 is a right side elevational view thereof, the left side being a mirror image of the right side shown herein; and

FIG. 6 is a top plan view of a hydraulic reset ground ripper implement showing a second embodiment of my new design, the sole difference being in the addition of seven ripper elements and the arrangement thereof.



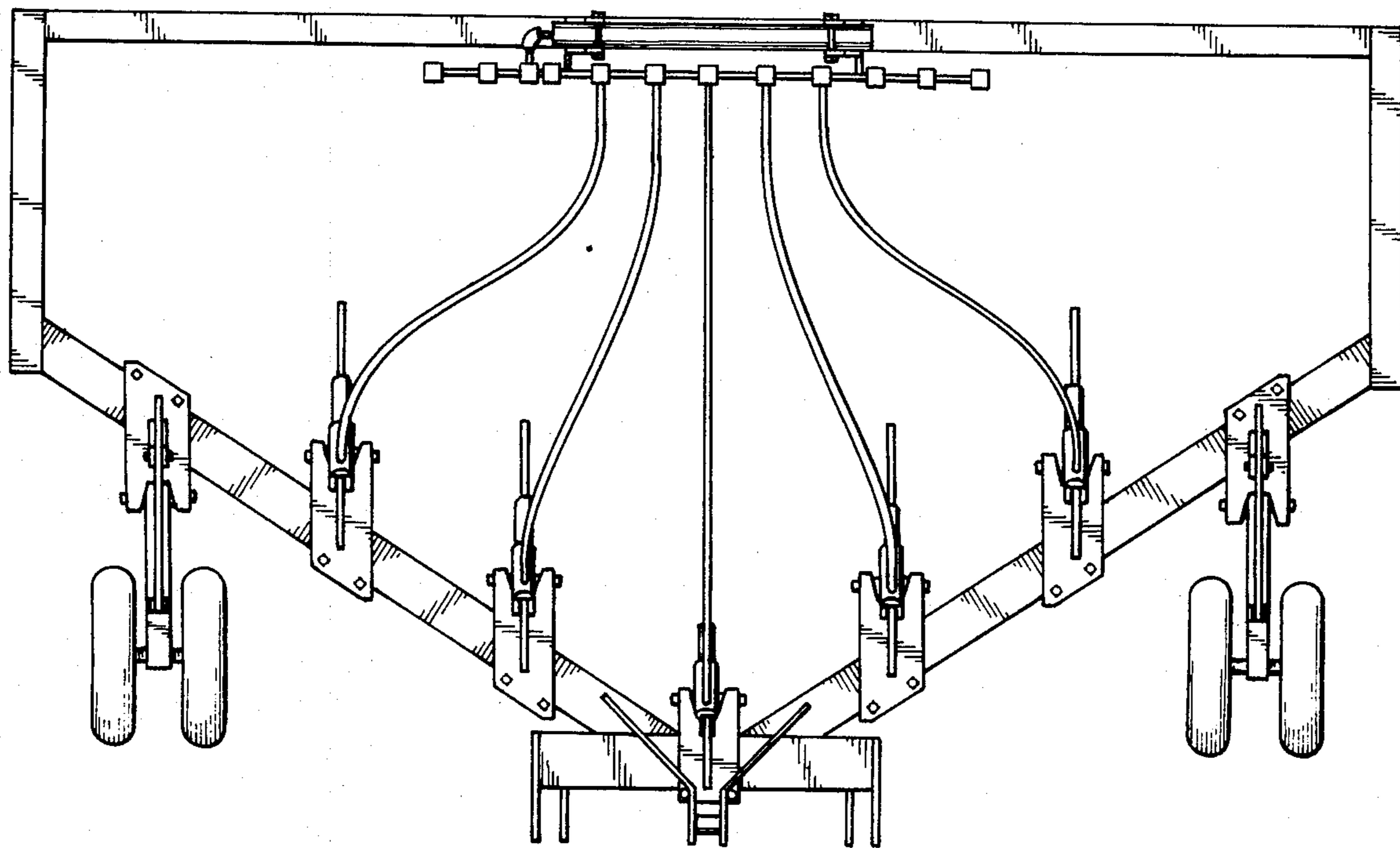


Fig. 1.

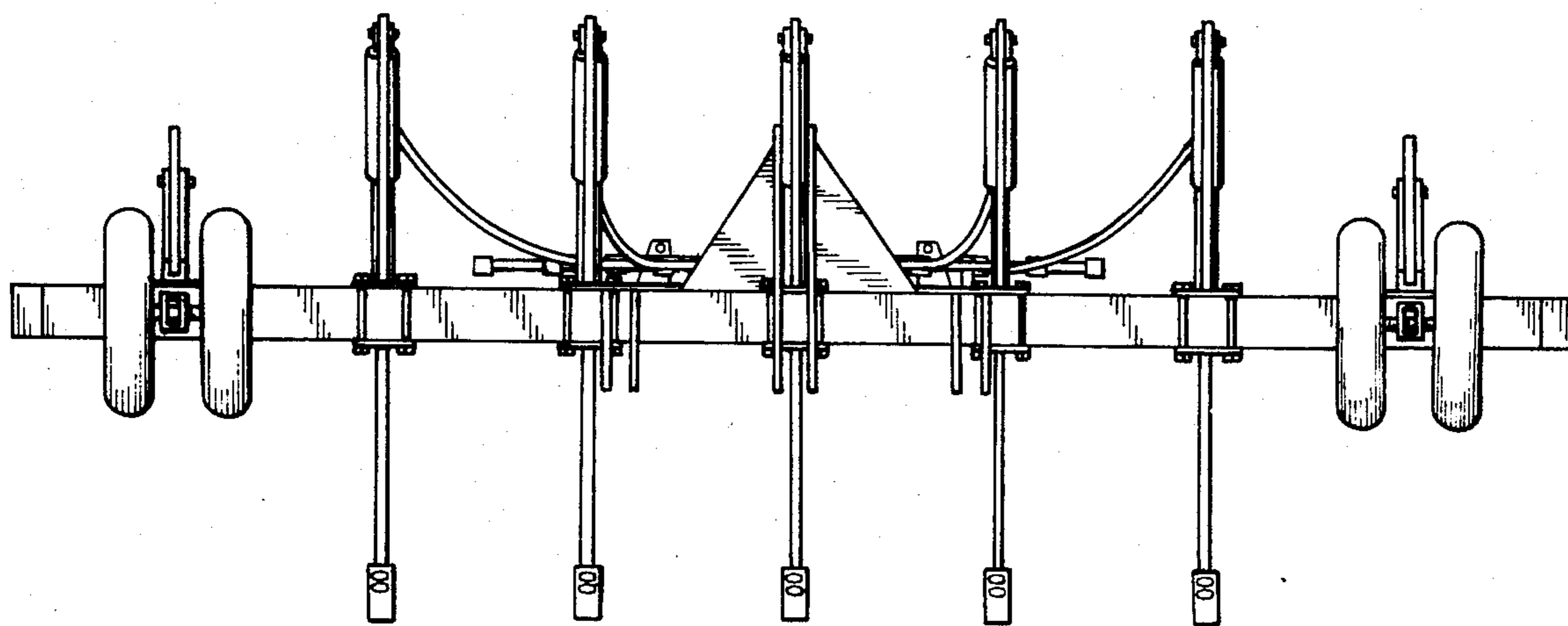


Fig. 2.

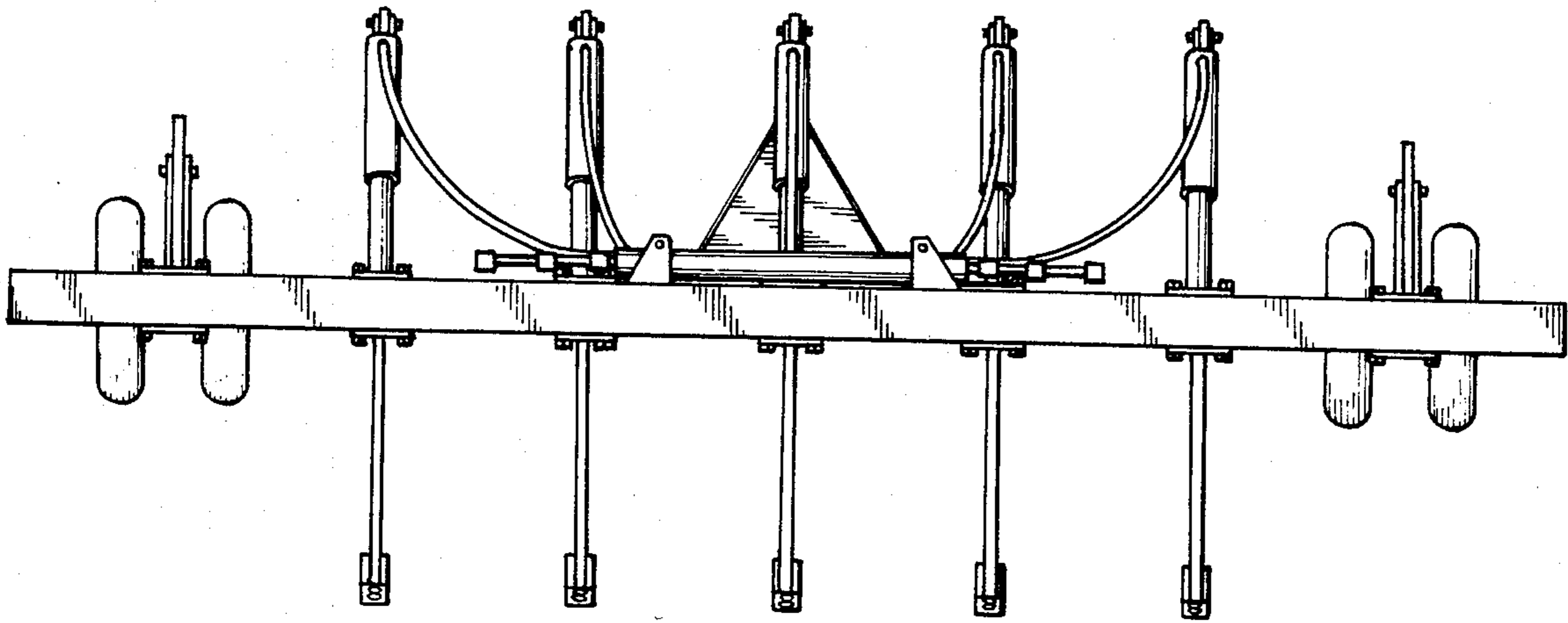


Fig. 3.

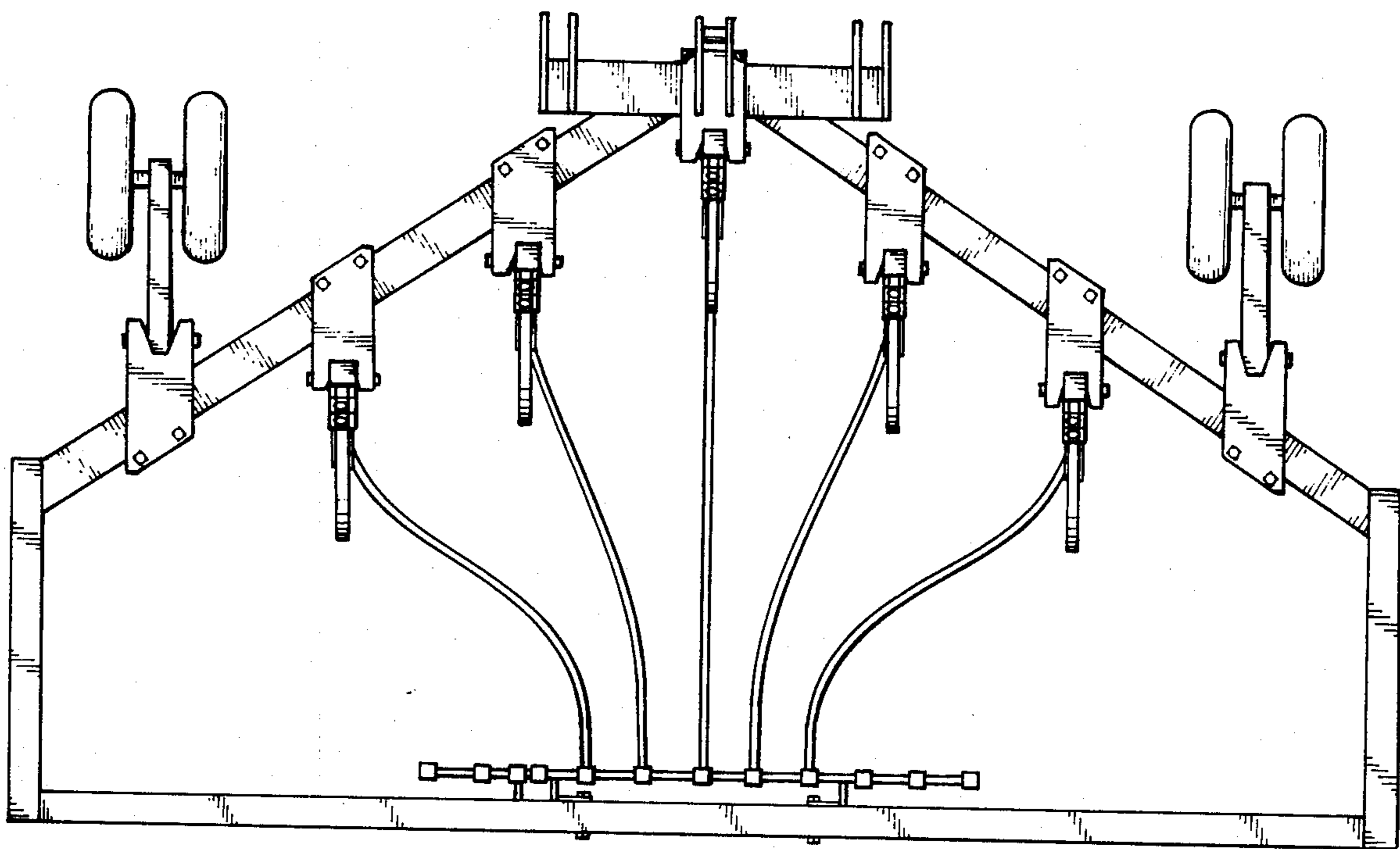


Fig. 4.

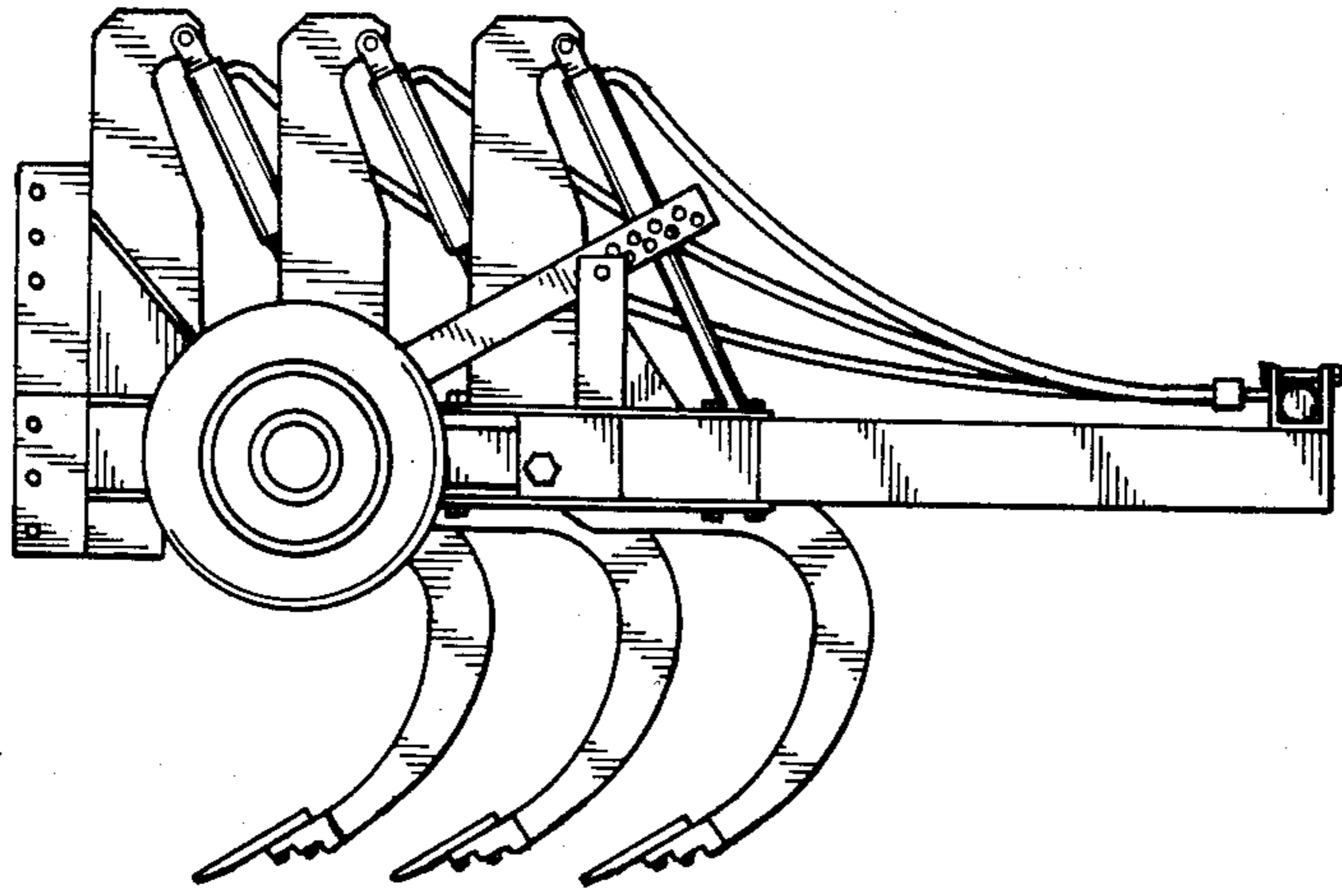


Fig. 5.

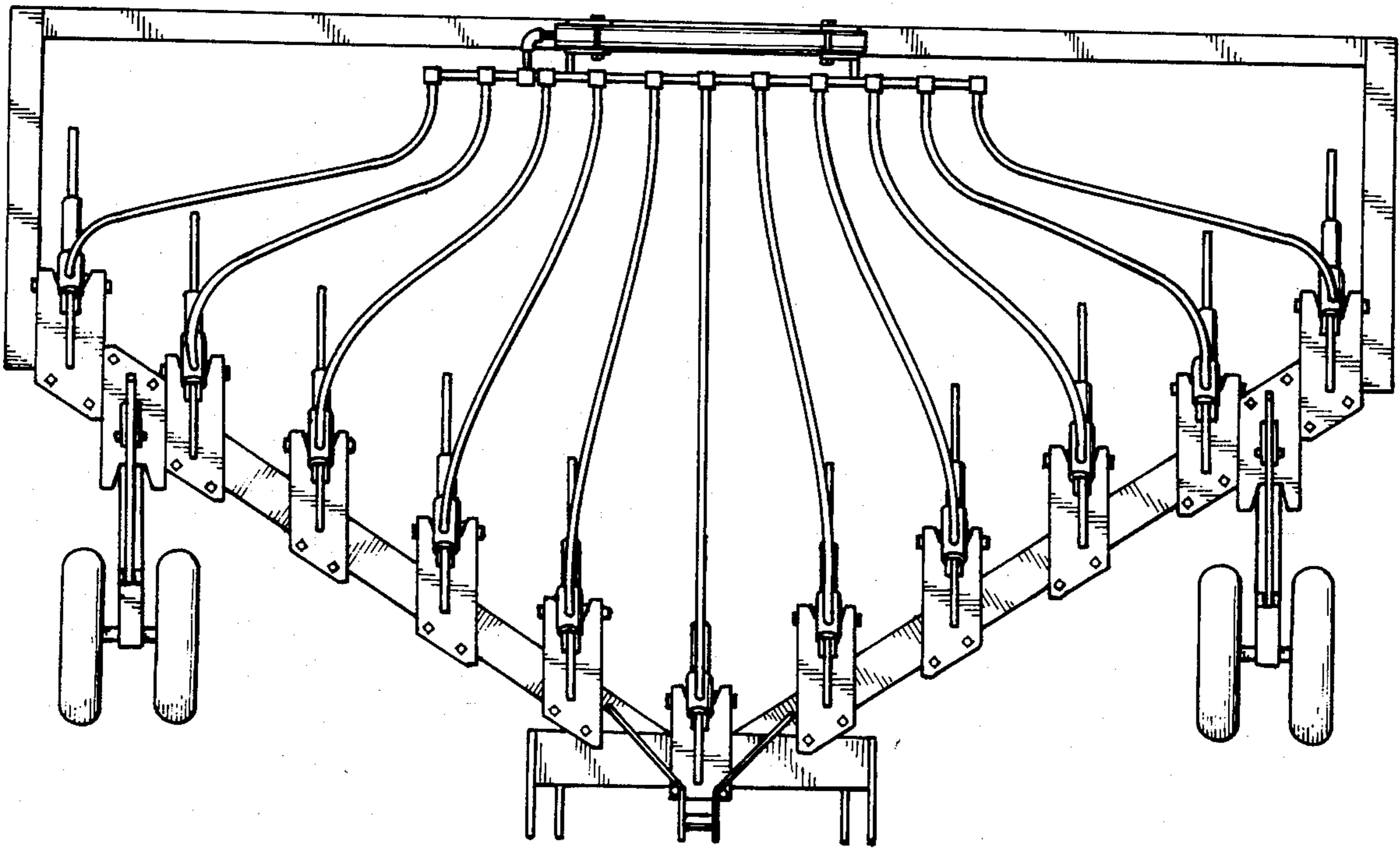


Fig. 6.