

[54] PUMP

[75] Inventors: Leo L. Roberts, Moore; Lee W. Davis, Del City; Jim S. Hollingsworth, Oklahoma City, all of Okla.

[73] Assignee: Little Giant Corporation, Oklahoma City, Okla.

[**] Term: 14 Years

[21] Appl. No.: 620,888

[22] Filed: Oct. 8, 1975

[51] Int. Cl. D15-02

[52] U.S. Cl. D15/7

[58] Field of Search D65/1 R, 1 A; D15/7-9; 222/333, 385; 417/410, 420

[56] References Cited

U.S. PATENT DOCUMENTS

3,070,300 1/1963 Thomas 222/333

3,411,450 11/1968 Clifton 417/420
3,529,749 9/1970 Lehmann et al. 222/333 X
D. 120,537 5/1940 Beckett D15/7
D. 130,609 12/1941 Bowen D65/1 R

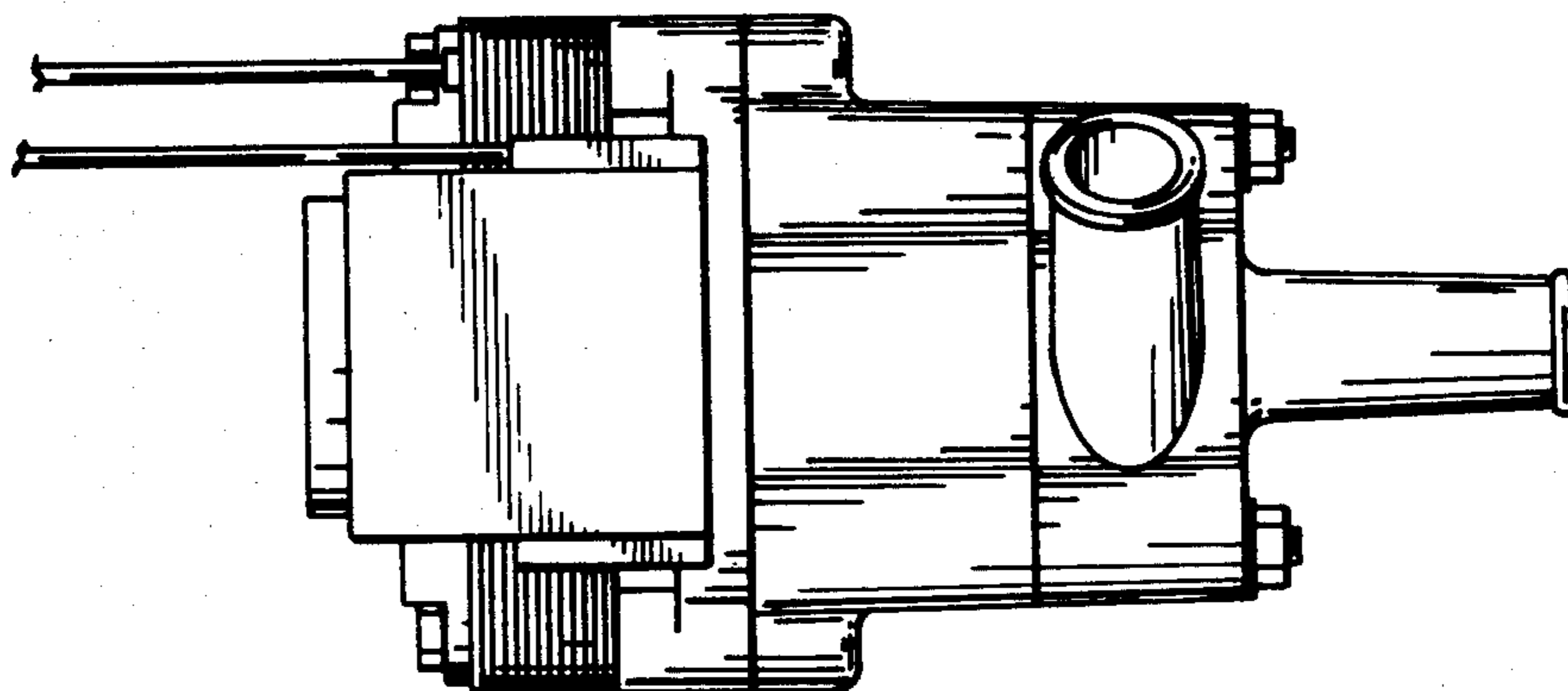
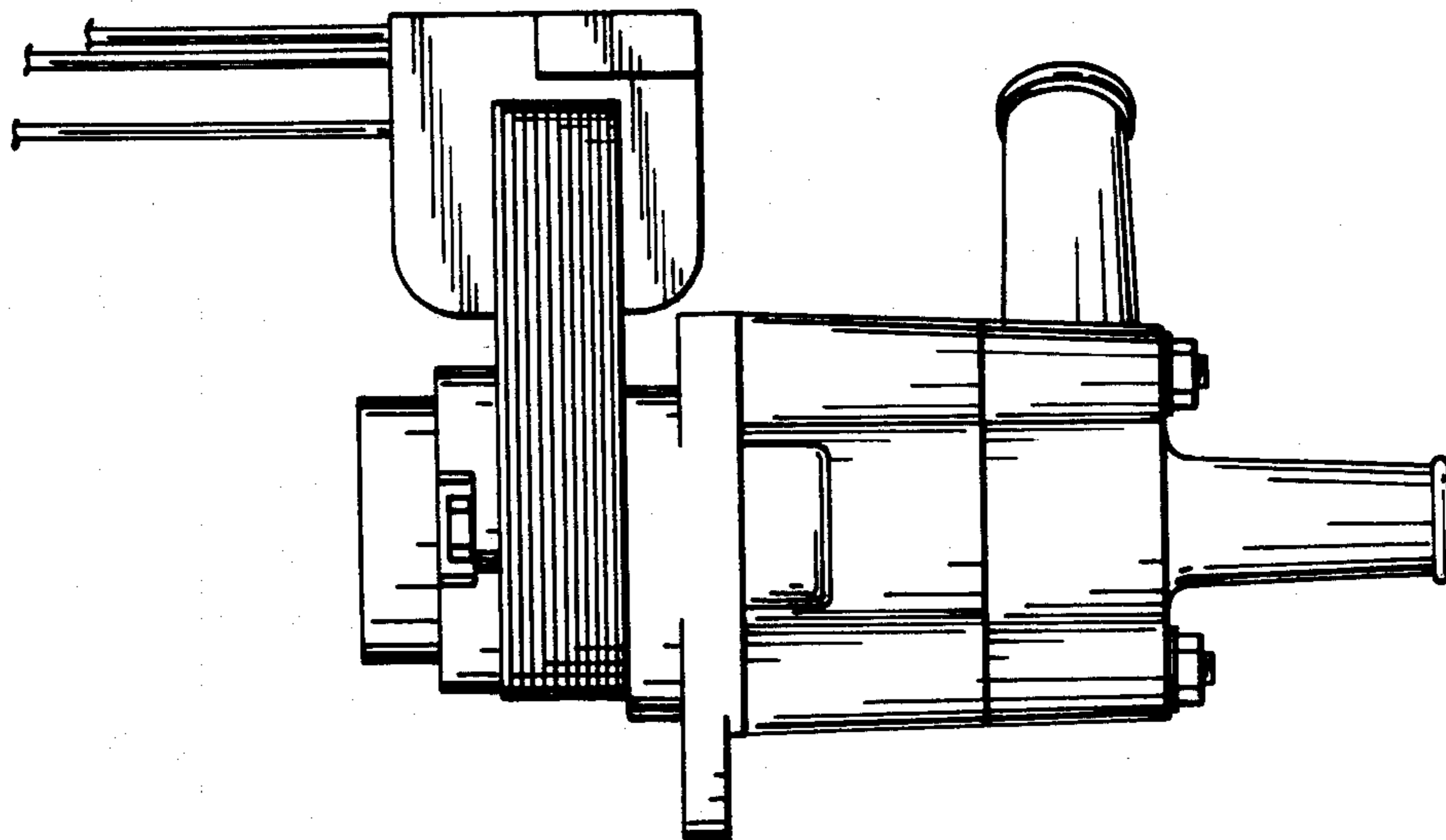
Primary Examiner—James R. Largen
Attorney, Agent, or Firm—Jerry J. Dunlap

[57] CLAIM

The ornamental design for a pump, substantially as shown.

DESCRIPTION

FIG. 1 is an elevational view of one side of a pump showing our new design;
FIG. 2 is a top plan view thereof;
FIG. 3 is an elevational view taken from one end thereof;
FIG. 4 is an elevational view taken from the side opposite that shown in FIG. 1;
FIG. 5 is a bottom plan view thereof; and
FIG. 6 is an elevational view taken from the end opposite that shown in FIG. 3.



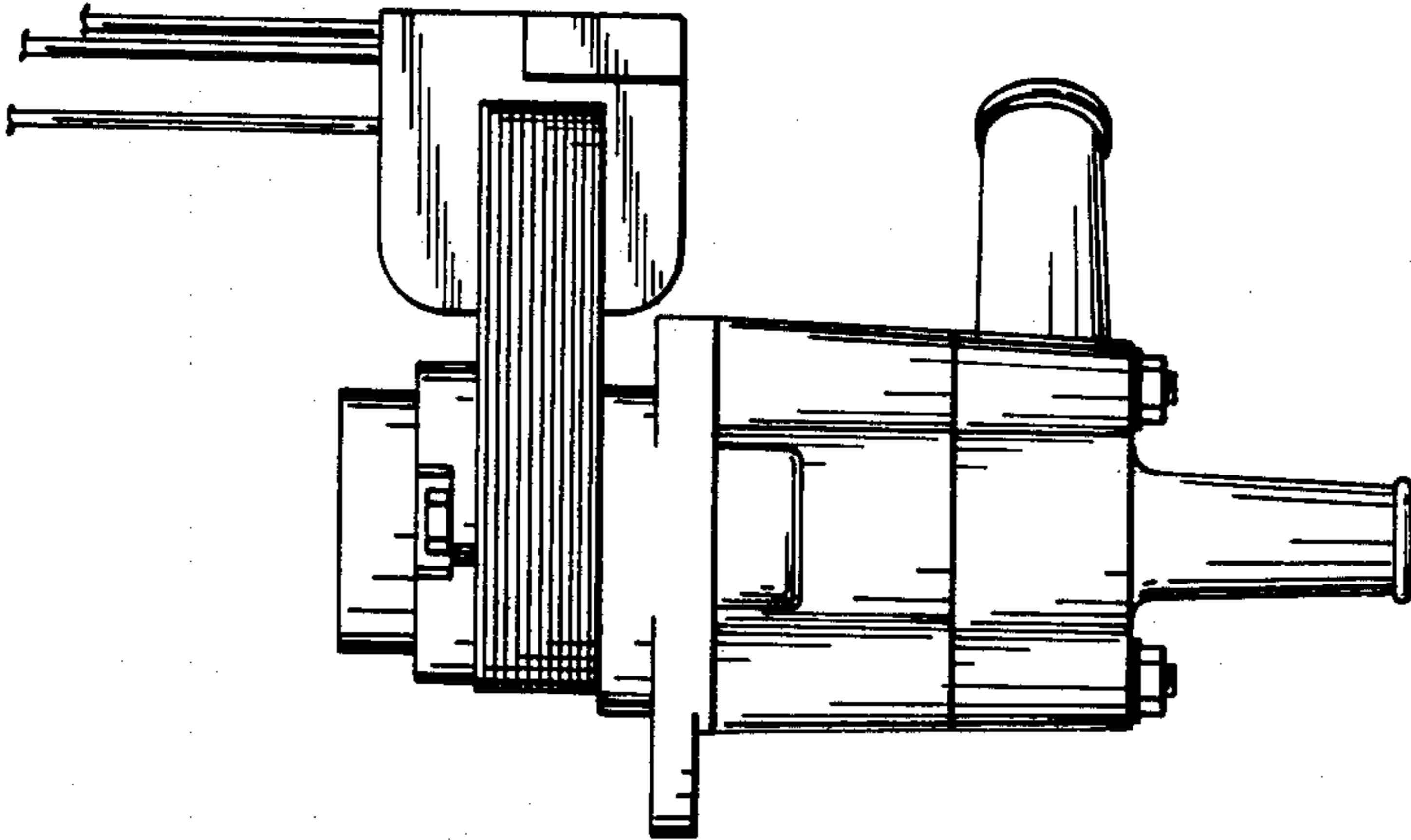


FIG. 1

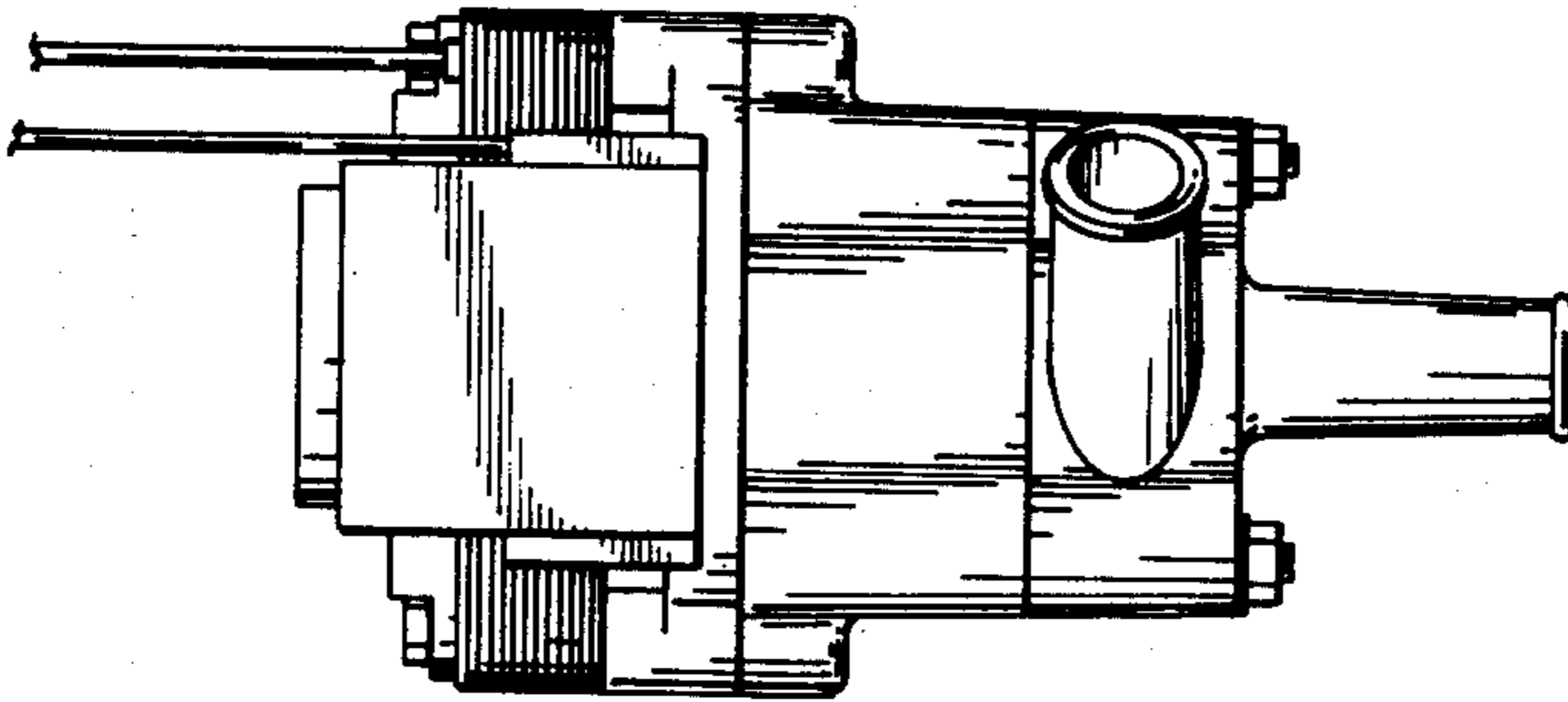


FIG. 2

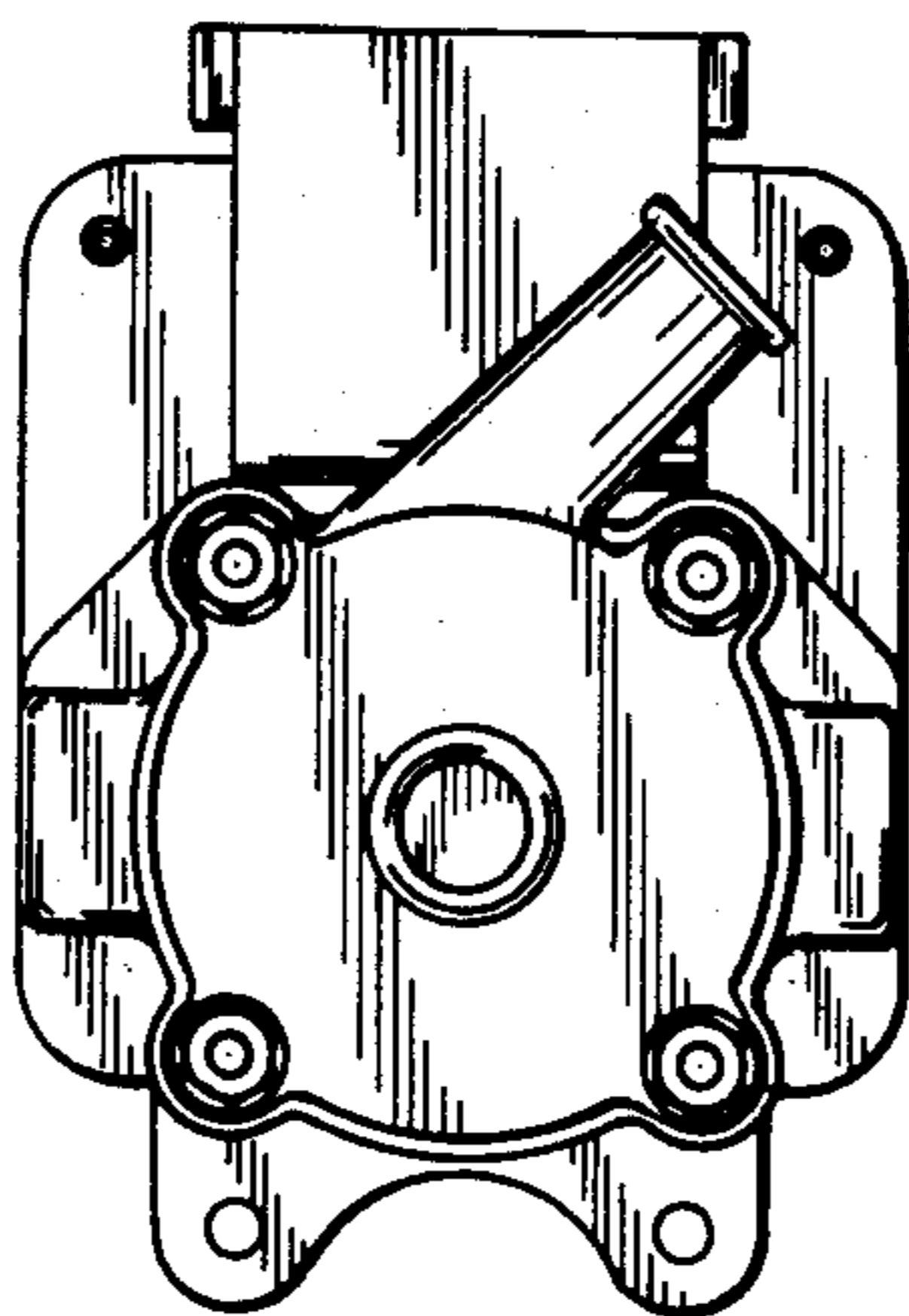


FIG. 3

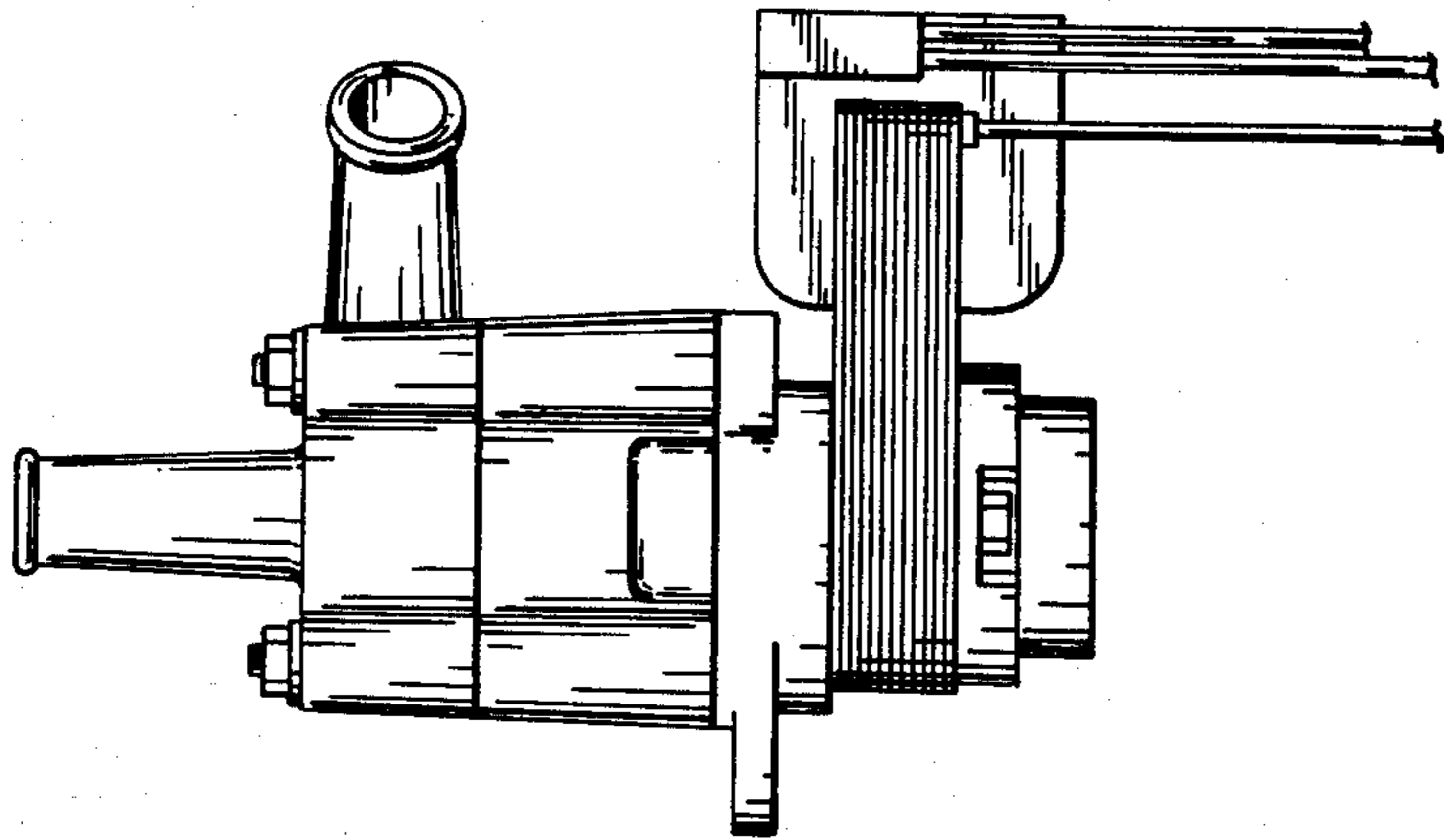


FIG. 4

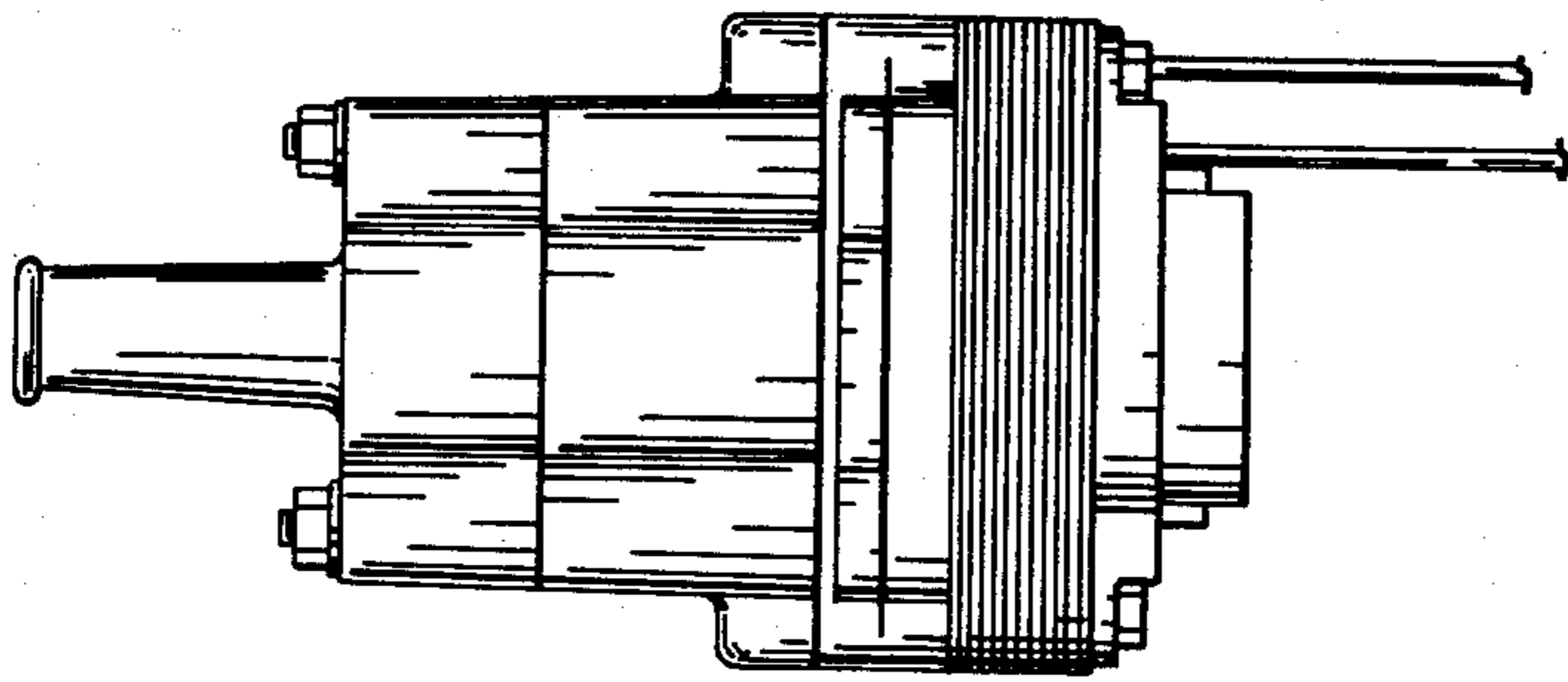


FIG. 5

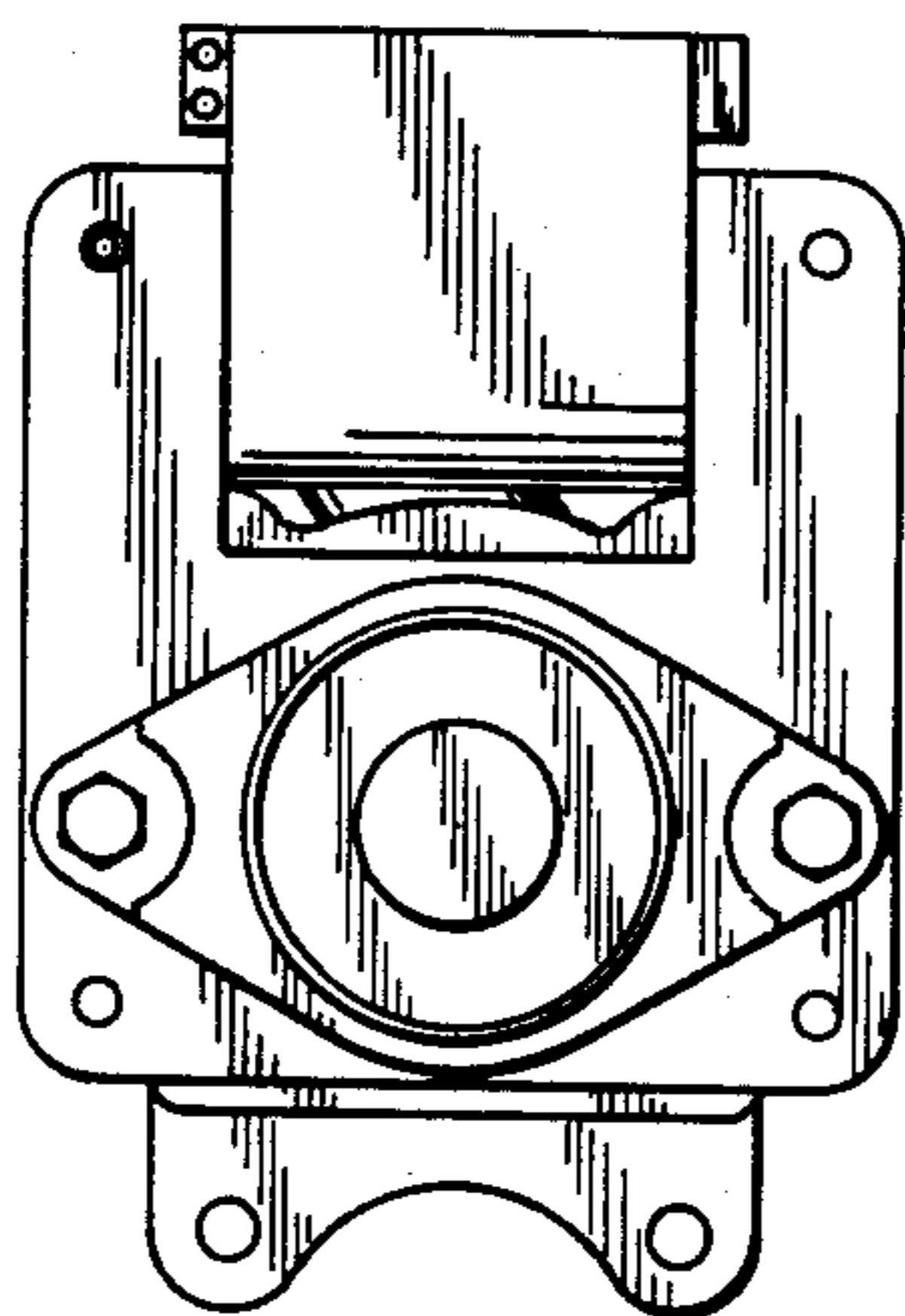


FIG. 6