

[54] **PANEL FOR USE WITH A MODULAR COUNTER UNIT**

[75] Inventors: **Robert J. Kennedy, Jr.; Kendall S. Smith, II**, both of West Lafayette, Ind.

[73] Assignee: **Lincoln Manufacturing Company, Inc.**

[**] Term: **14 Years**

[21] Appl. No.: **614,337**

[22] Filed: **Sept. 17, 1975**

[51] Int. Cl. **D6-06**

[52] U.S. Cl. **D6/193**

[58] Field of Search **D6/151-190, D6/192, 193**

[56] **References Cited**

U.S. PATENT DOCUMENTS

D. 227,524	7/1973	Dushek	D6/192 X
D. 228,435	9/1973	Patron	D6/192
D. 238,472	1/1976	Moore	D6/193

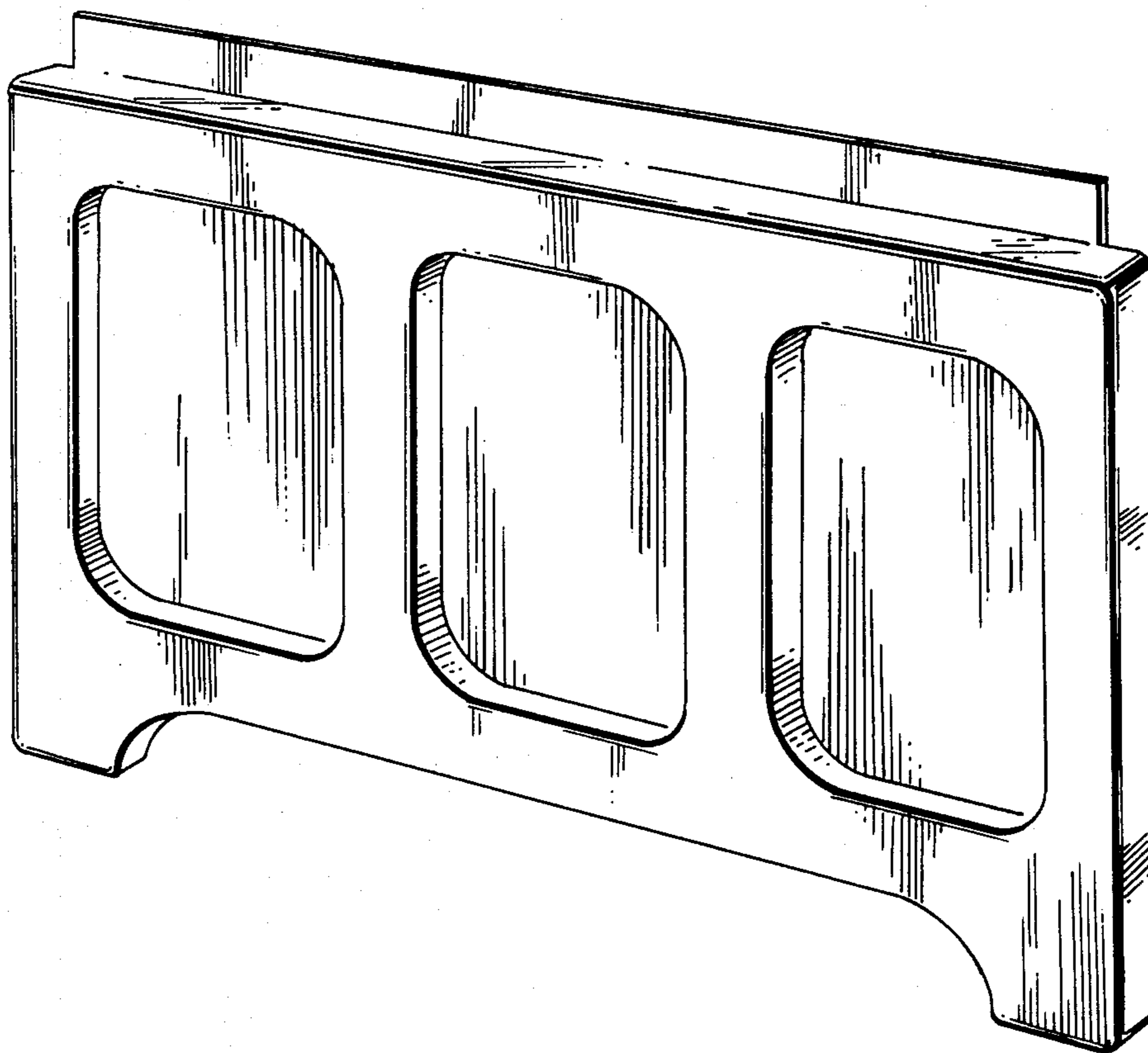
Primary Examiner—Bruce W. Dunkins
Attorney, Agent, or Firm—Albert L. Jeffers

[57] **CLAIM**

The ornamental design for a panel for use with a modular counter unit, substantially as shown and described.

DESCRIPTION

FIG. 1 is a perspective view of a panel showing our new invention;
FIG. 2 is a front view thereof;
FIG. 3 is an end view thereof with the opposite end being a mirror image of the end shown;
FIG. 4 is a back elevational view thereof;
FIG. 5 is a bottom view thereof; and
FIG. 6 is a top view thereof.



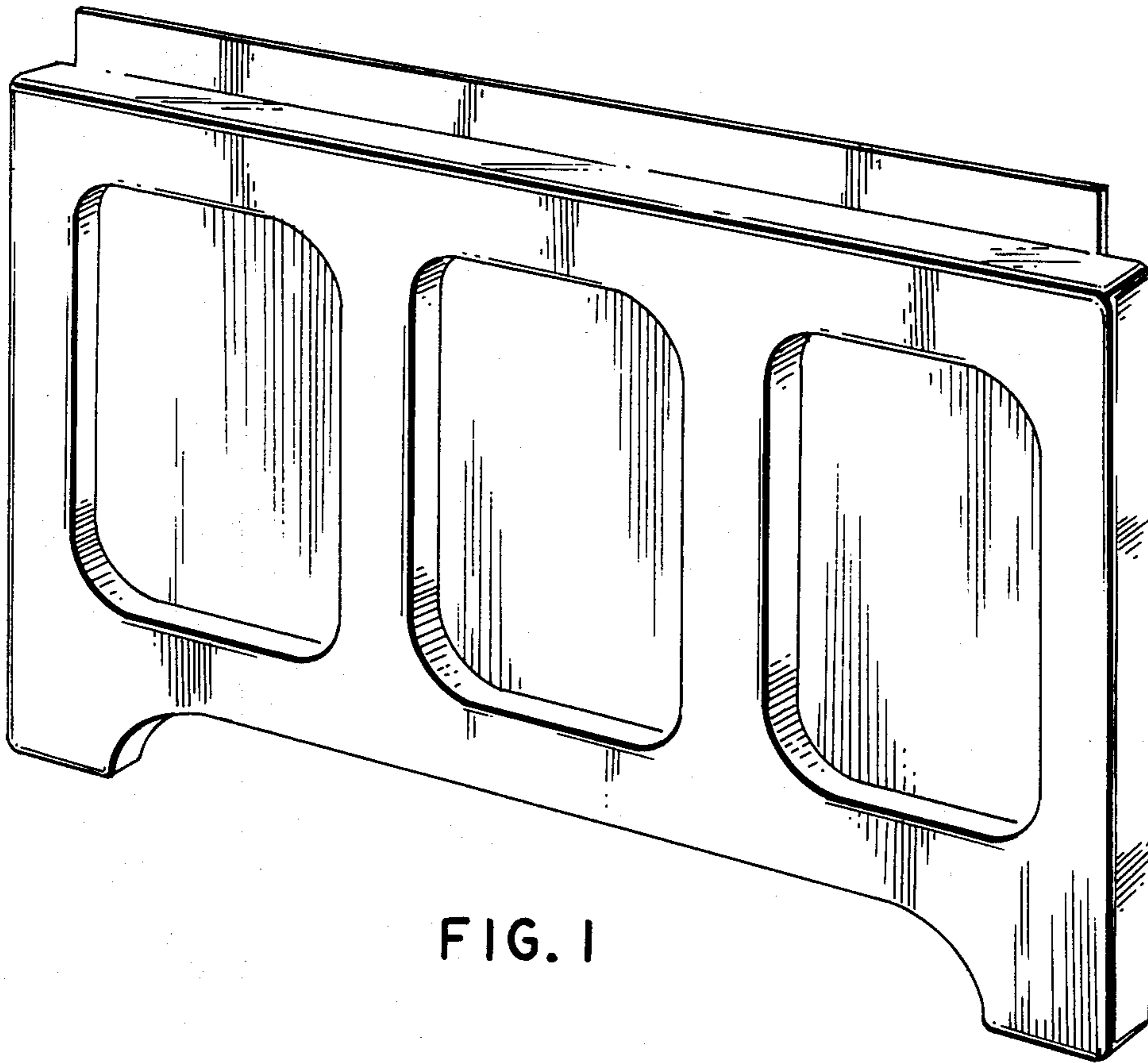


FIG. 1

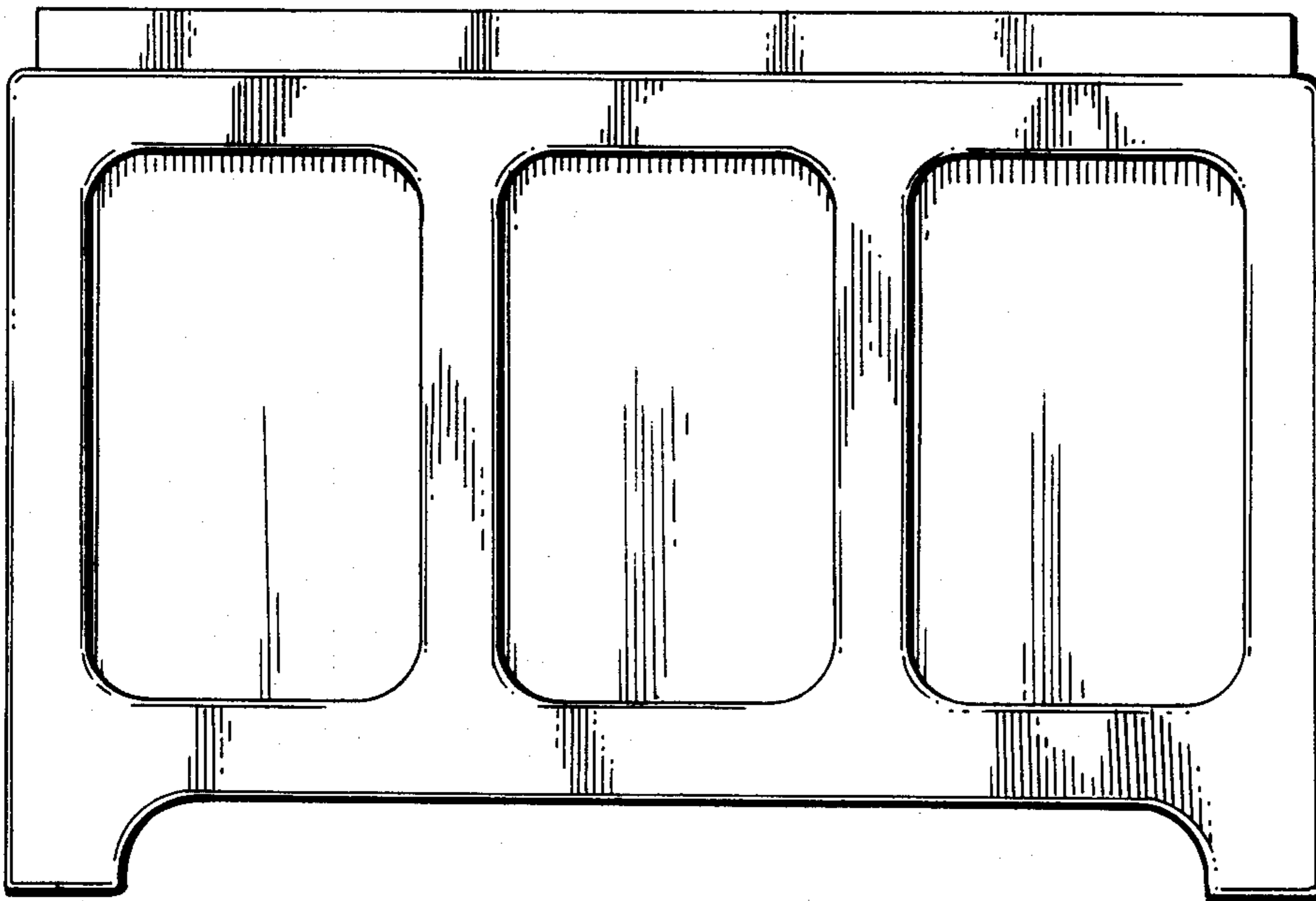


FIG. 2

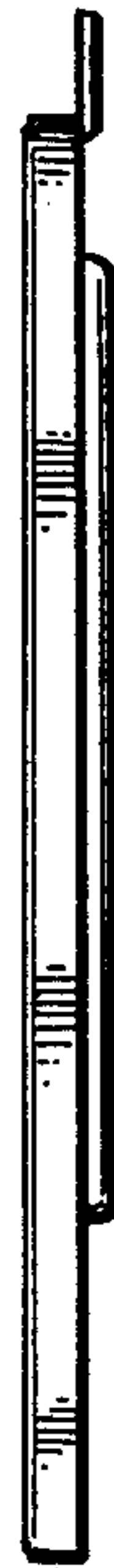


FIG. 3

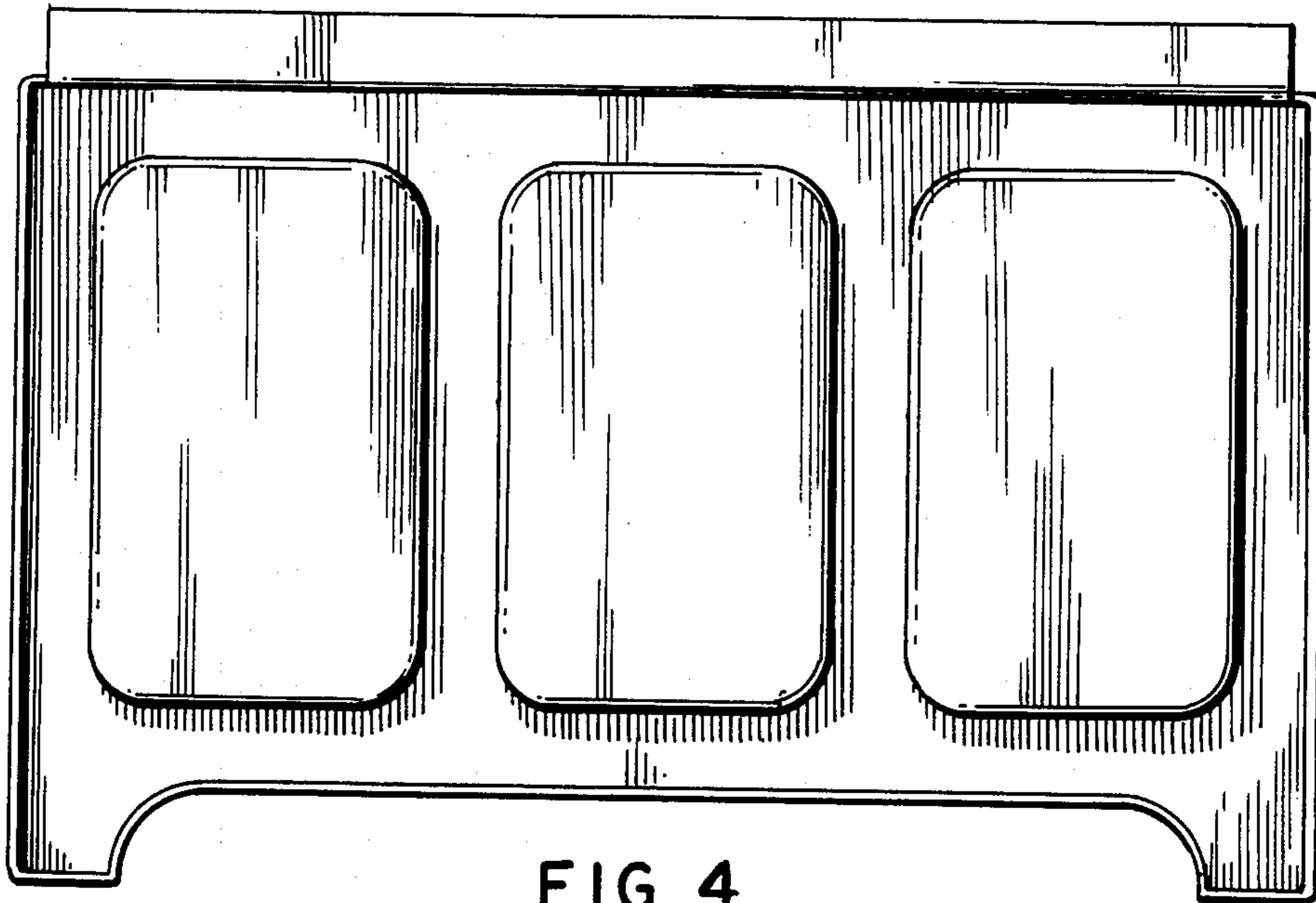


FIG. 4



FIG. 5

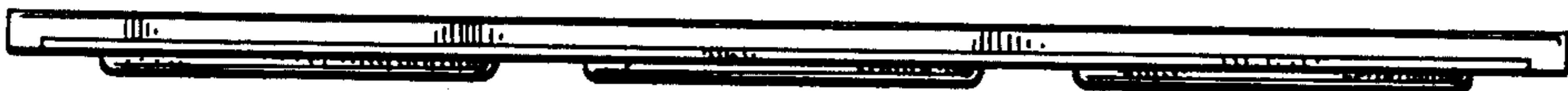


FIG. 6