

[54] CHAIR

[75] Inventor: Vittorio Introini, Gallarate, Italy

[73] Assignee: Fratelli Saporiti, Besnate (Varese), Italy

[\*\*] Term: 14 Years

[21] Appl. No.: 559,447

[22] Filed: Mar. 18, 1975

[30] Foreign Application Priority Data

Sept. 20, 1974 Italy ..... 60922/74

[51] Int. Cl. .... D6-01

[52] U.S. Cl. .... D6/76

[58] Field of Search ..... D6/26, 30, 31, 47-78

[56] References Cited

U.S. PATENT DOCUMENTS

D. 188,656 8/1960 Wagner ..... D6/30

D. 196,574 10/1963 Sundberg et al. .... D6/30

D. 227,960	7/1973	Ekvan	.....	D6/78
D. 227,961	7/1973	Ekvan	.....	D6/78
D. 232,879	9/1974	Samhammer	.....	D6/30 X
D. 233,638	11/1974	Offredi	.....	D6/31

Primary Examiner—Bruce W. Dunkins  
Attorney, Agent, or Firm—William D. Denson

[57] CLAIM

The ornamental design for a chair, as shown.

DESCRIPTION

FIG. 1 is a perspective view looking from the front of a chair embodying the present design;

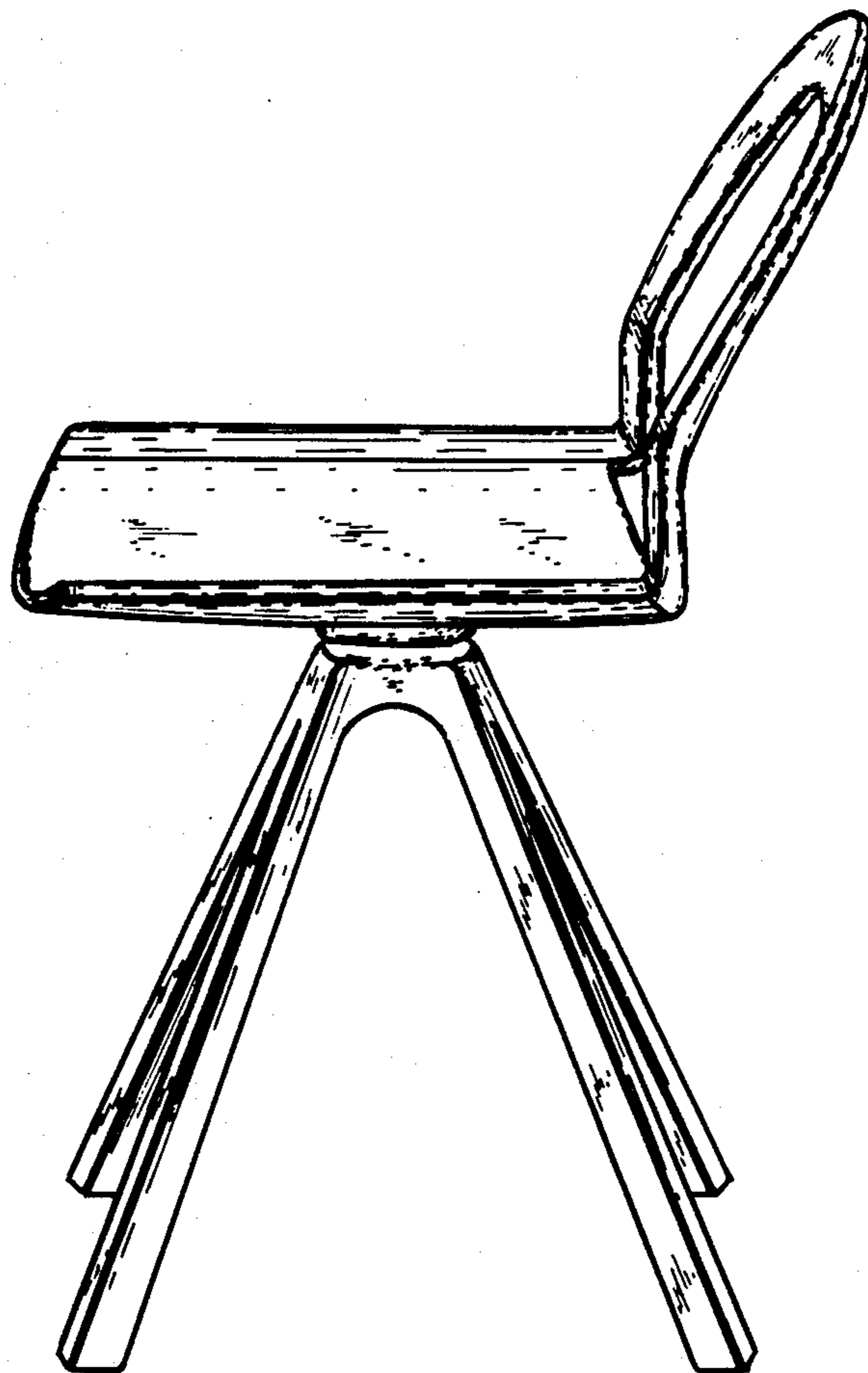
FIG. 2 is a perspective view looking from the rear thereof;

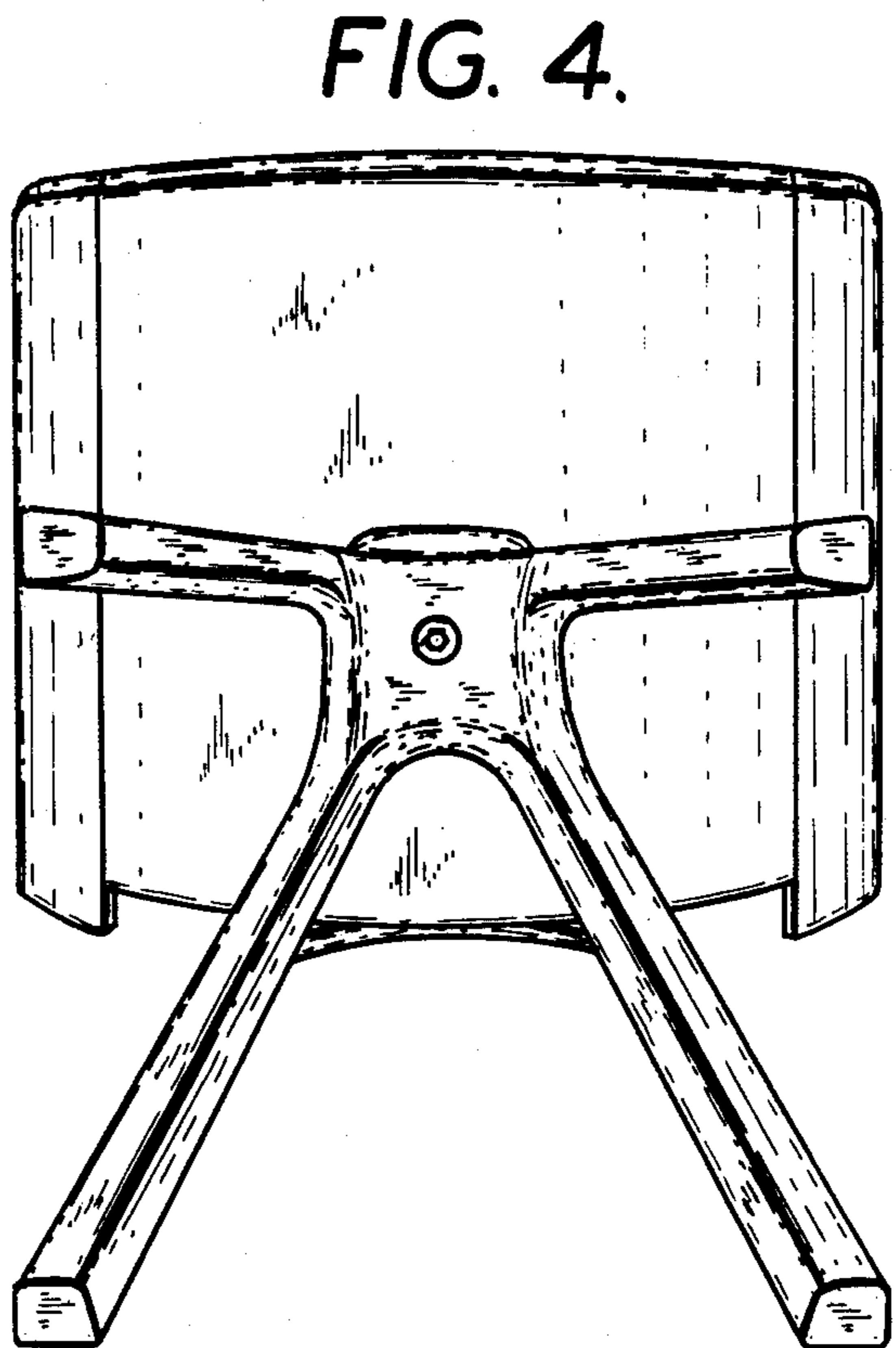
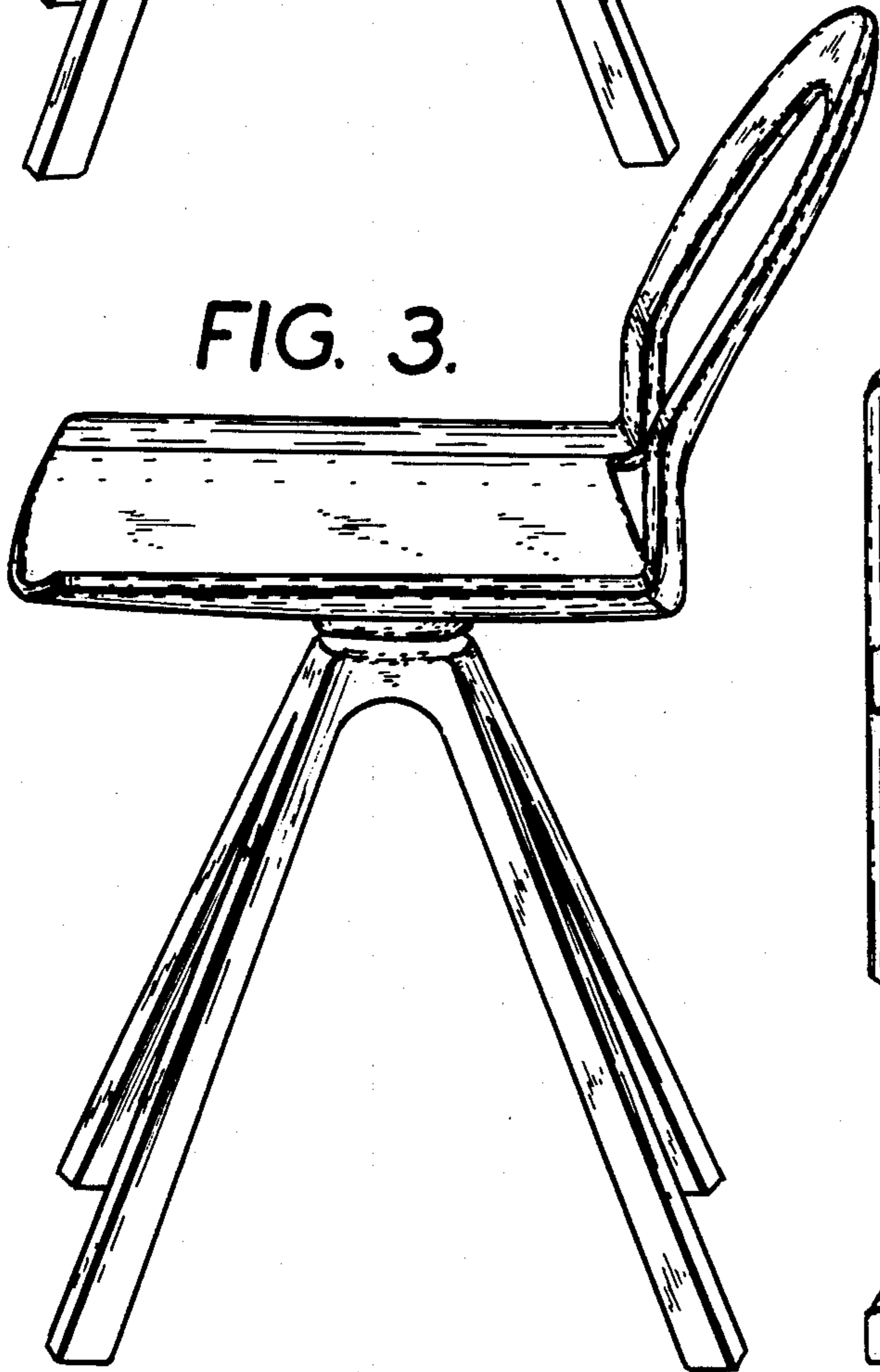
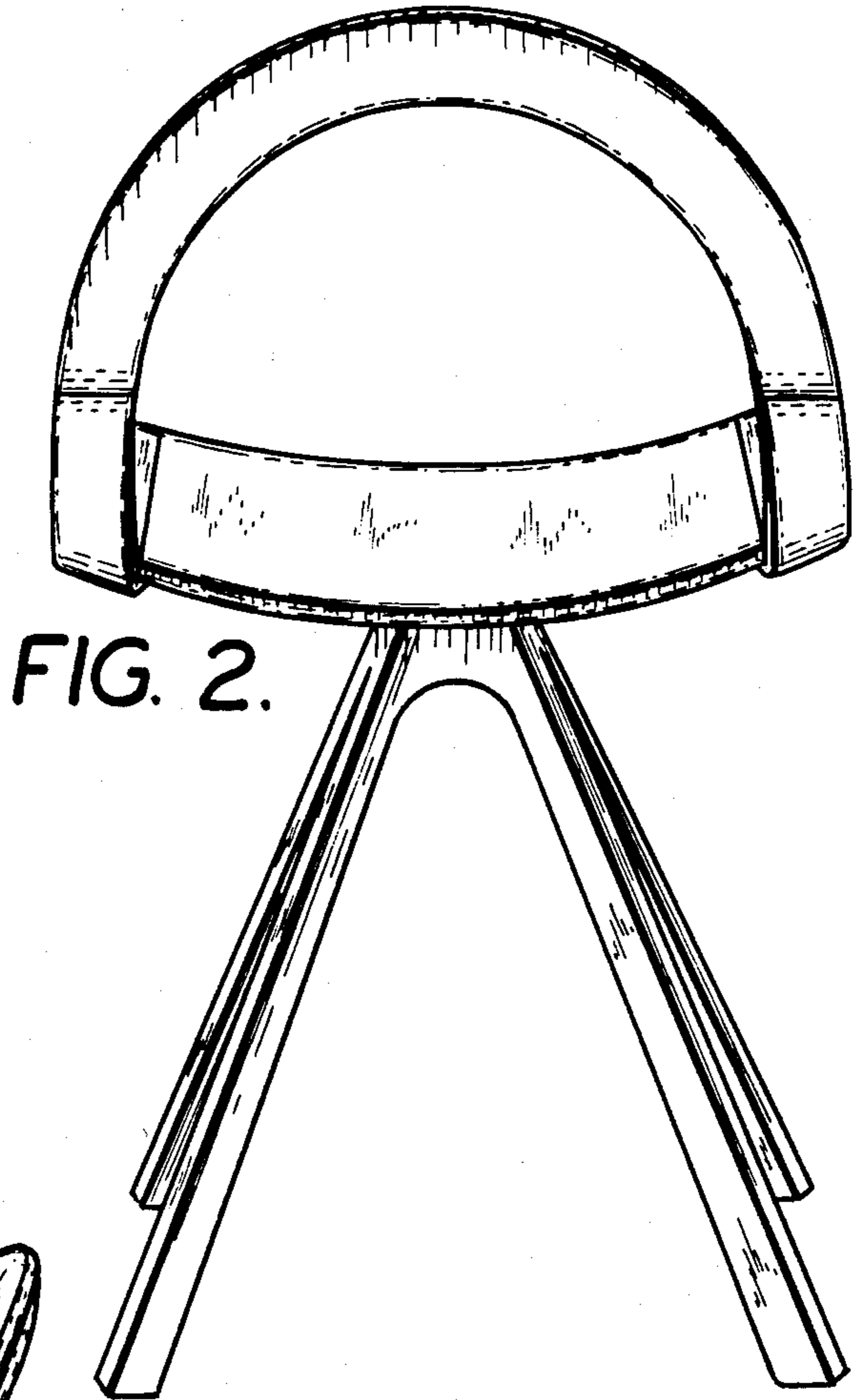
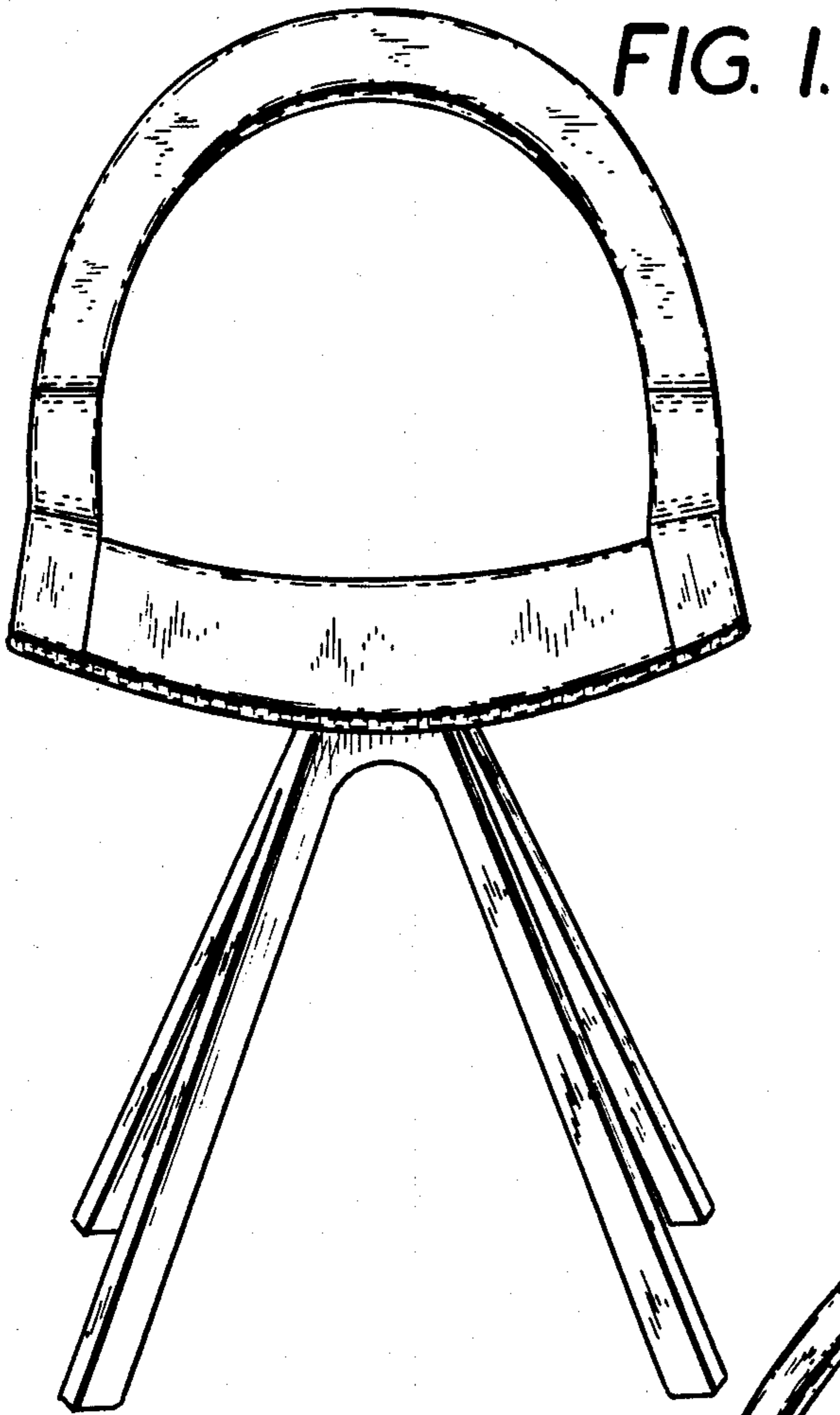
FIG. 3 is a perspective view looking from the side thereof;

FIG. 4 is a perspective view looking from the bottom thereof;

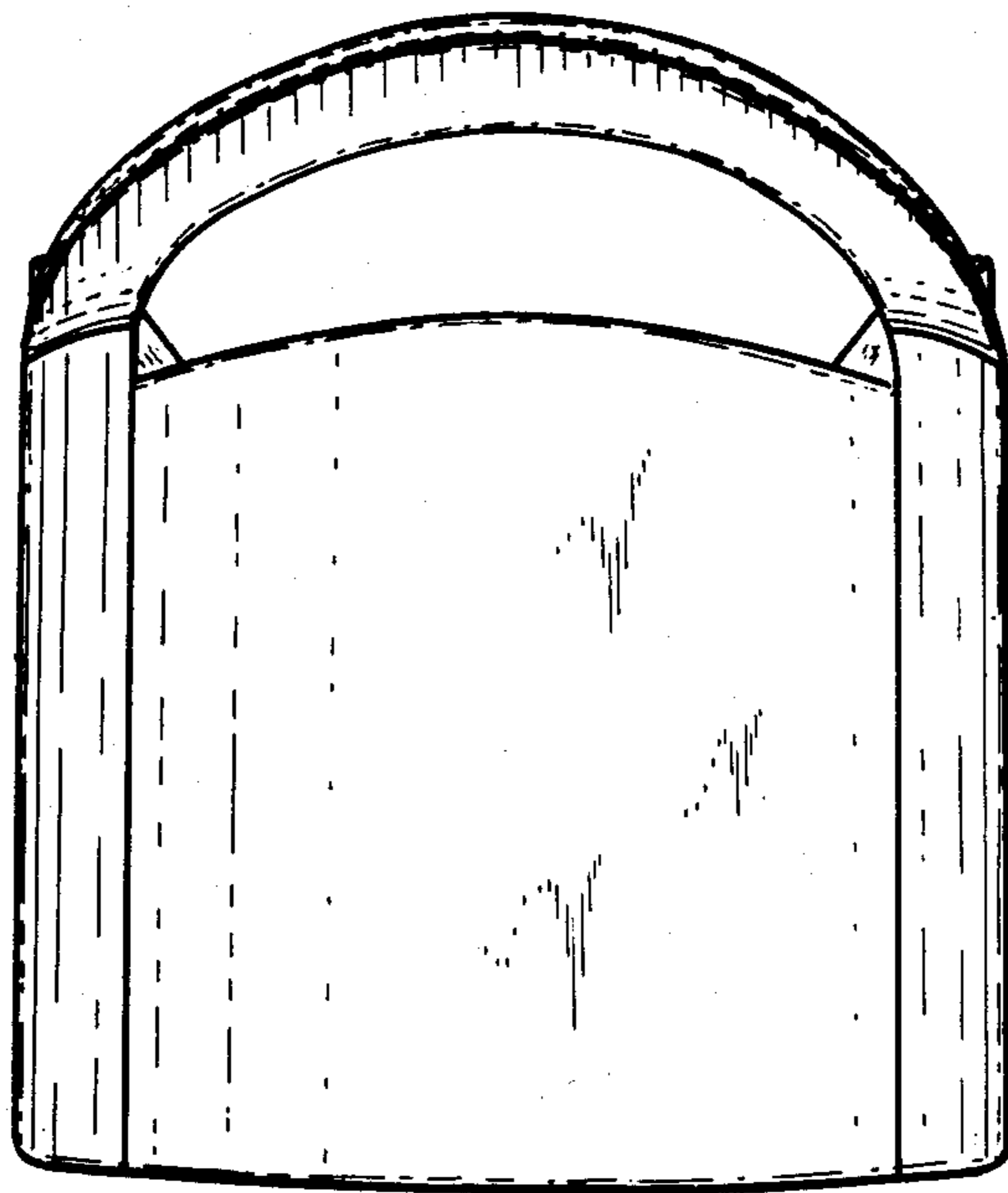
FIG. 5 is a top plan view thereof; and

FIG. 6 is a perspective view looking from the opposite side from that shown in FIG. 3.





**FIG. 5.**



**FIG. 6.**

