

[54] STAND FOR CURLER/STYLER

[75] Inventor: Bernard B. Bluestein, Des Plaines, Ill.

[73] Assignee: Sunbeam Corporation, Chicago, Ill.

[**] Term: 14 Years

[21] Appl. No.: 640,261

[22] Filed: Dec. 12, 1975

[51] Int. Cl. D28-03

[52] U.S. Cl. D28/38

[58] Field of Search D86/10 A, 10 E; 132/1 R, 37 R, 7, 9; 219/222, 225, 242

[56] References Cited

U.S. PATENT DOCUMENTS

1,367,952	2/1921	Emerson	219/242
2,213,439	9/1940	Young	219/242 X
3,293,528	12/1966	Rosen et al.	219/242

D. 240,087 5/1976 Rawson D86/10 E

Primary Examiner—Robert C. Spangler
Assistant Examiner—Louis S. Zarfes
Attorney, Agent, or Firm—George R. Clark

[57] CLAIM

The ornamental design for a stand for a curler/styler, as shown and described.

DESCRIPTION

FIG. 1 is a perspective view of a stand for curler/styler showing my new design,
FIG. 2 is a front end elevational view thereof;
FIG. 3 is a top plan view thereof;
FIG. 4 is a rear end elevational view thereof;
FIG. 5 is a side elevational view of the side not shown in FIG. 1, the two side views being mirror images of one another; and
FIG. 6 is a longitudinal vertical sectional view taken generally along line 6-6 of FIG. 3.

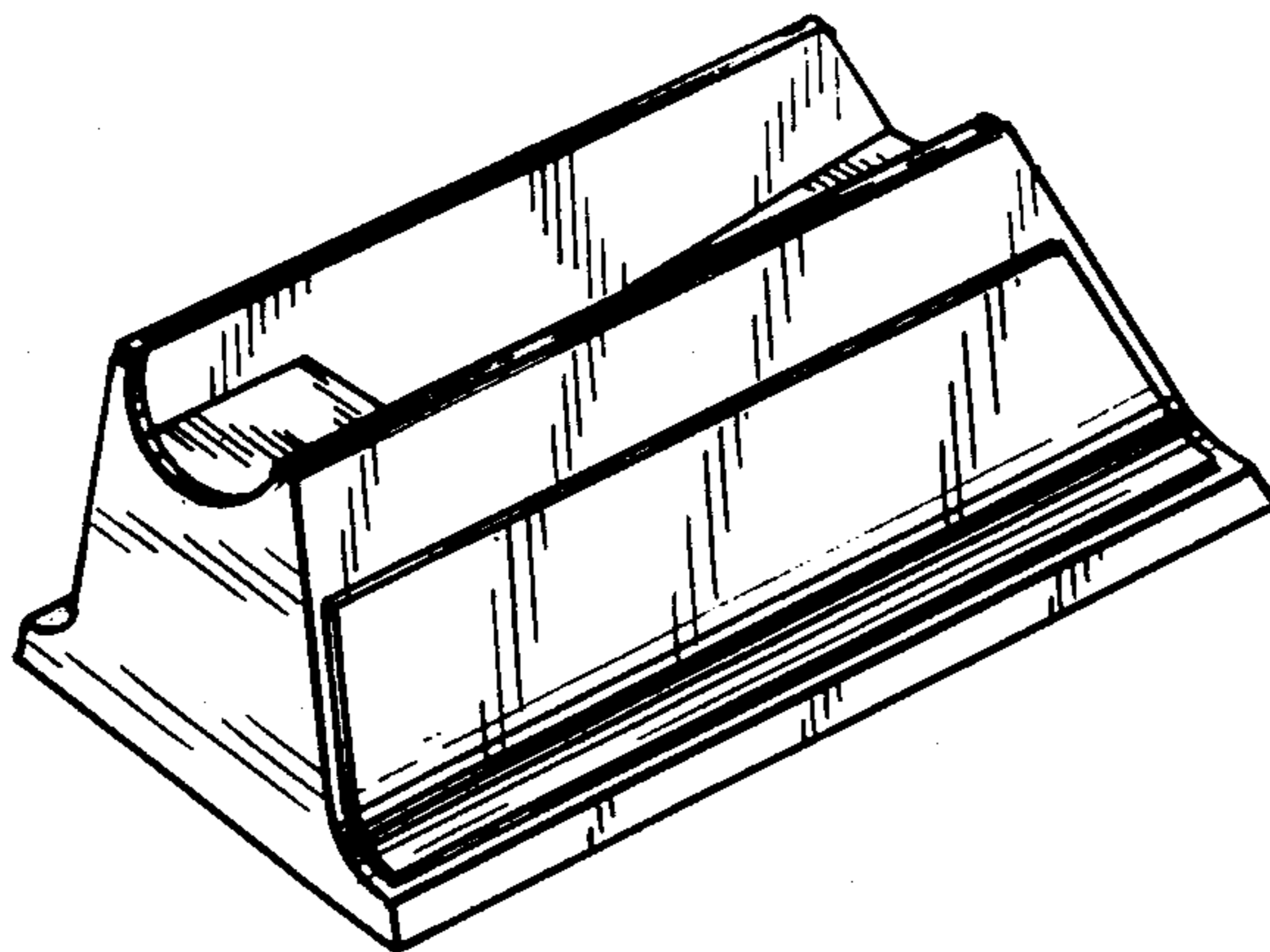


FIG. 1.

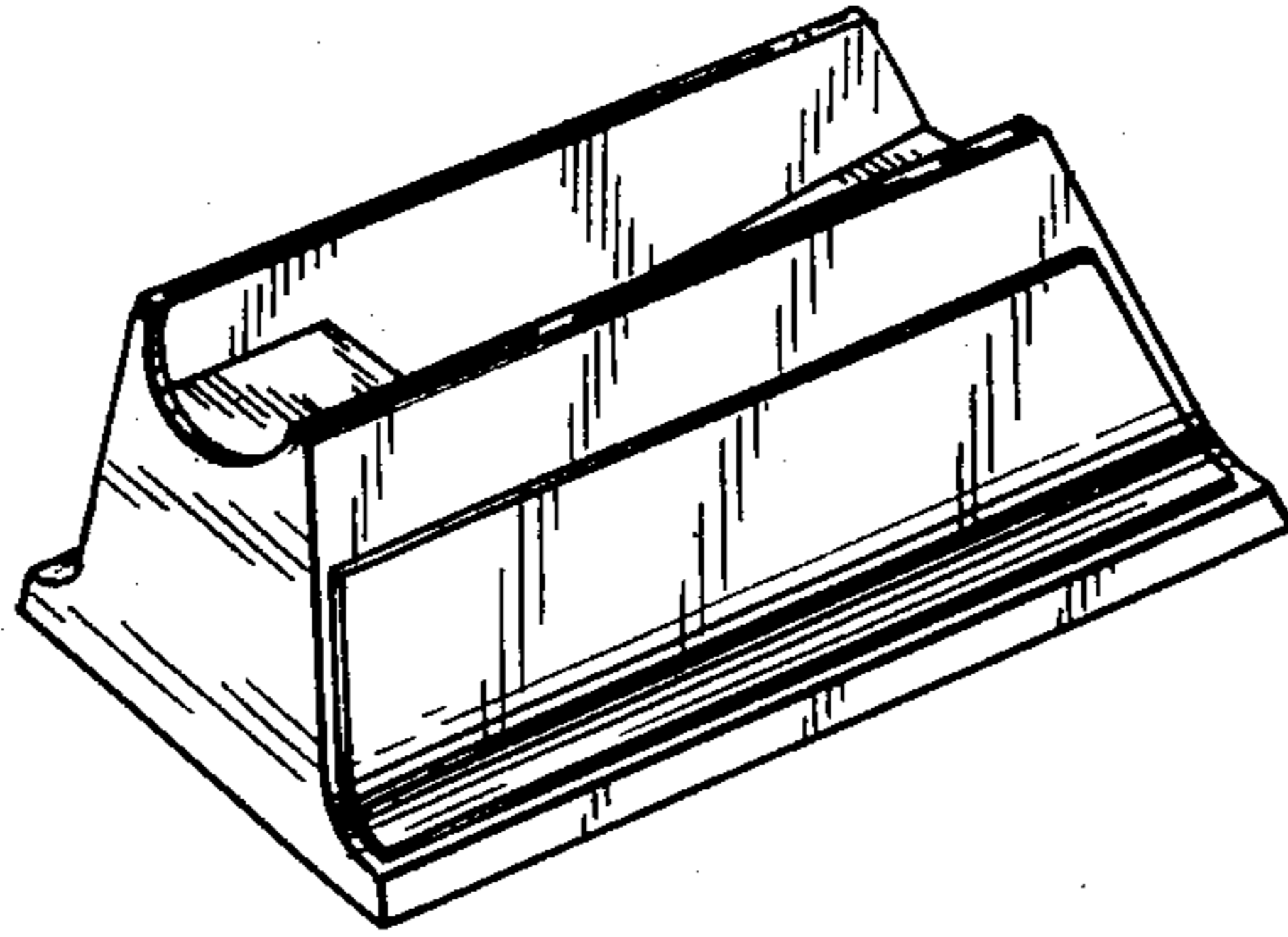


FIG. 2.

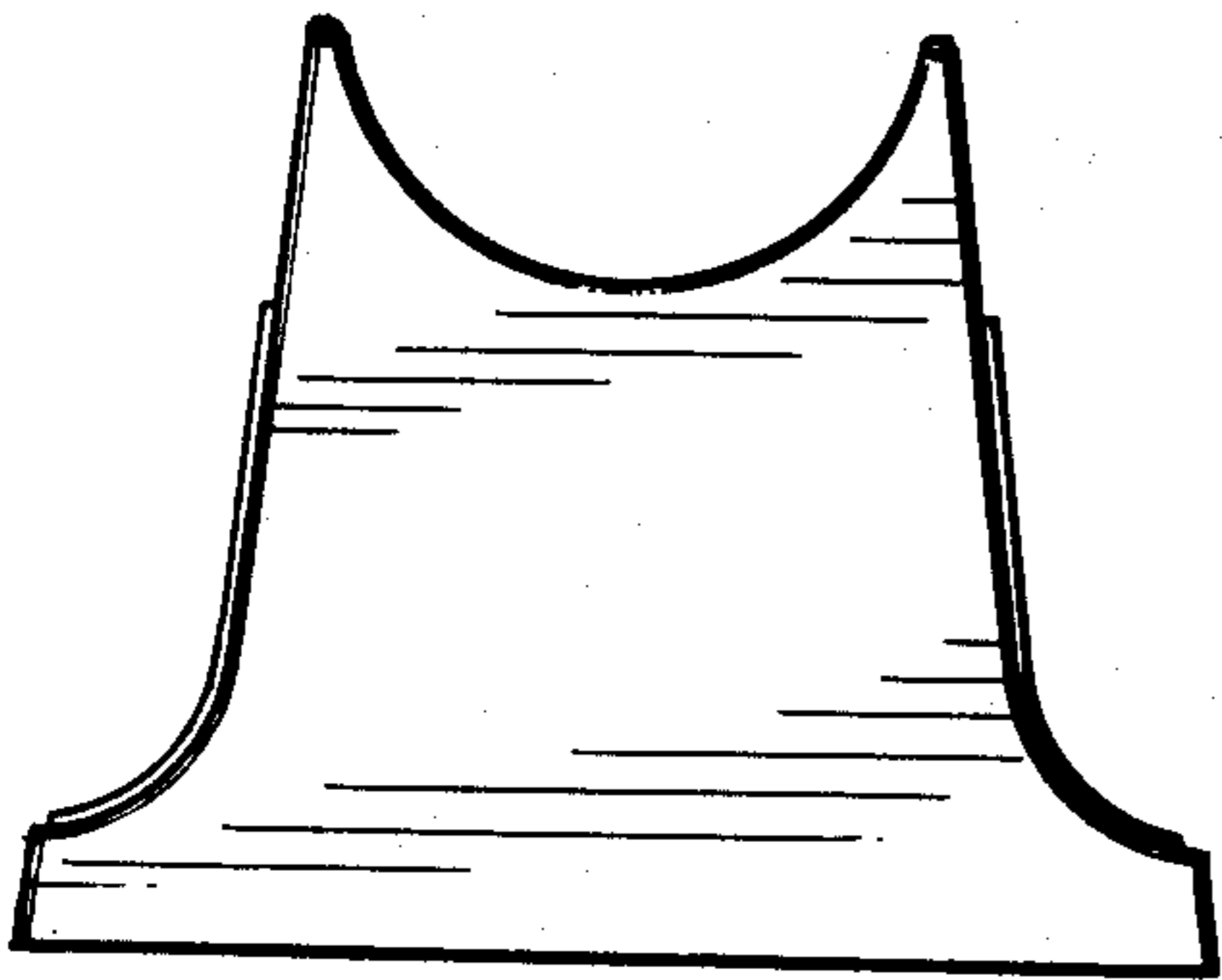


FIG. 3.

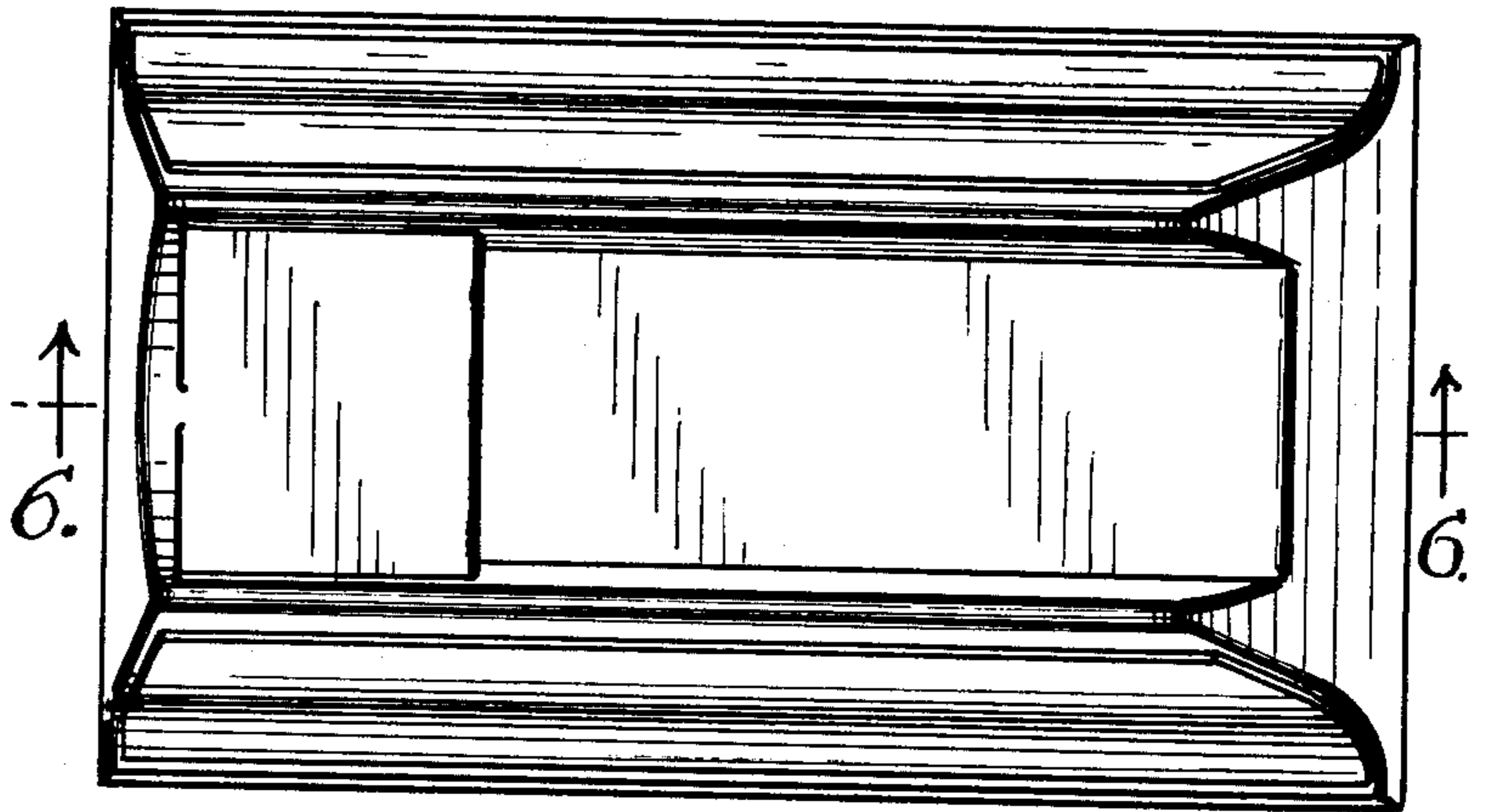


FIG. 4.

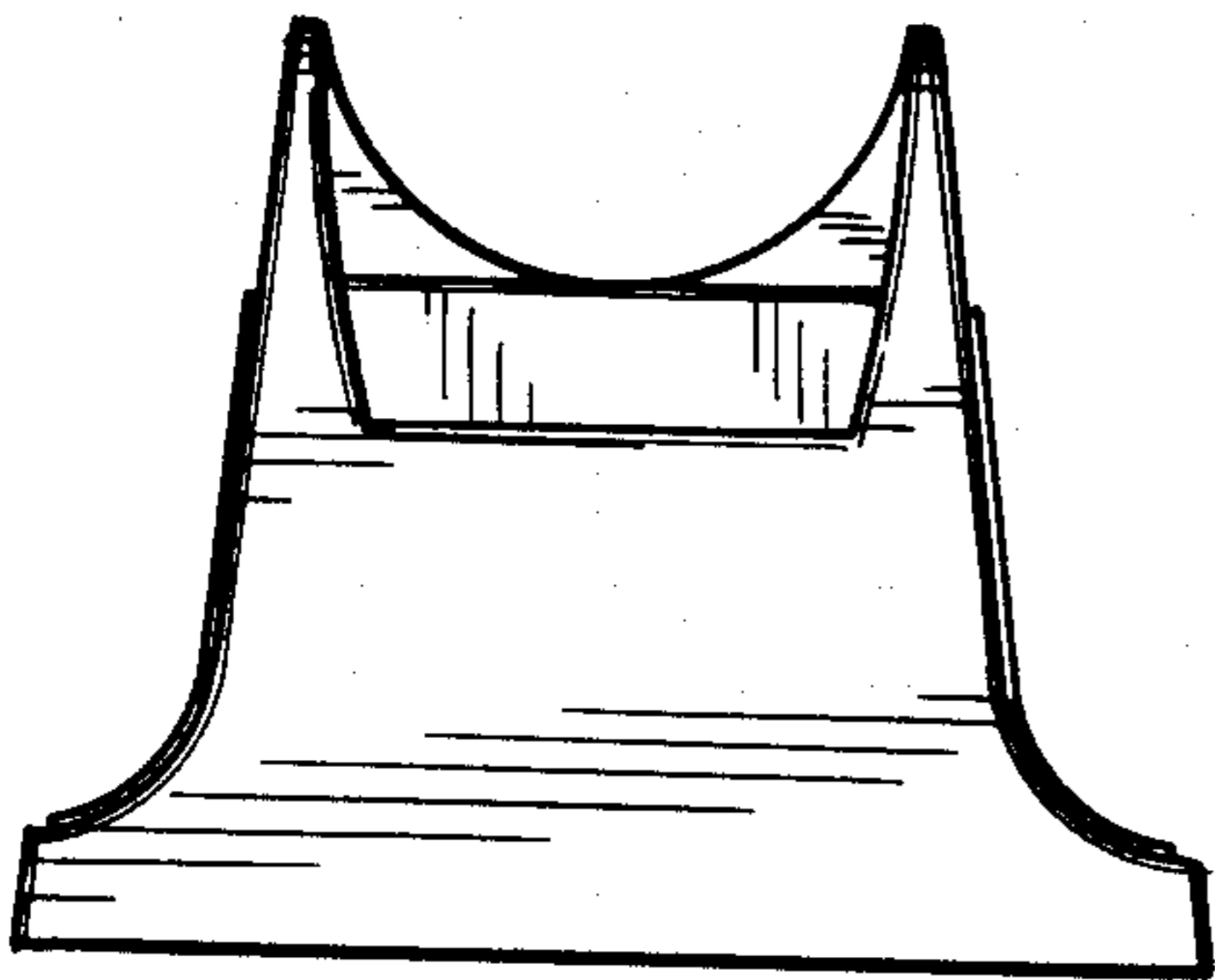


FIG. 5.

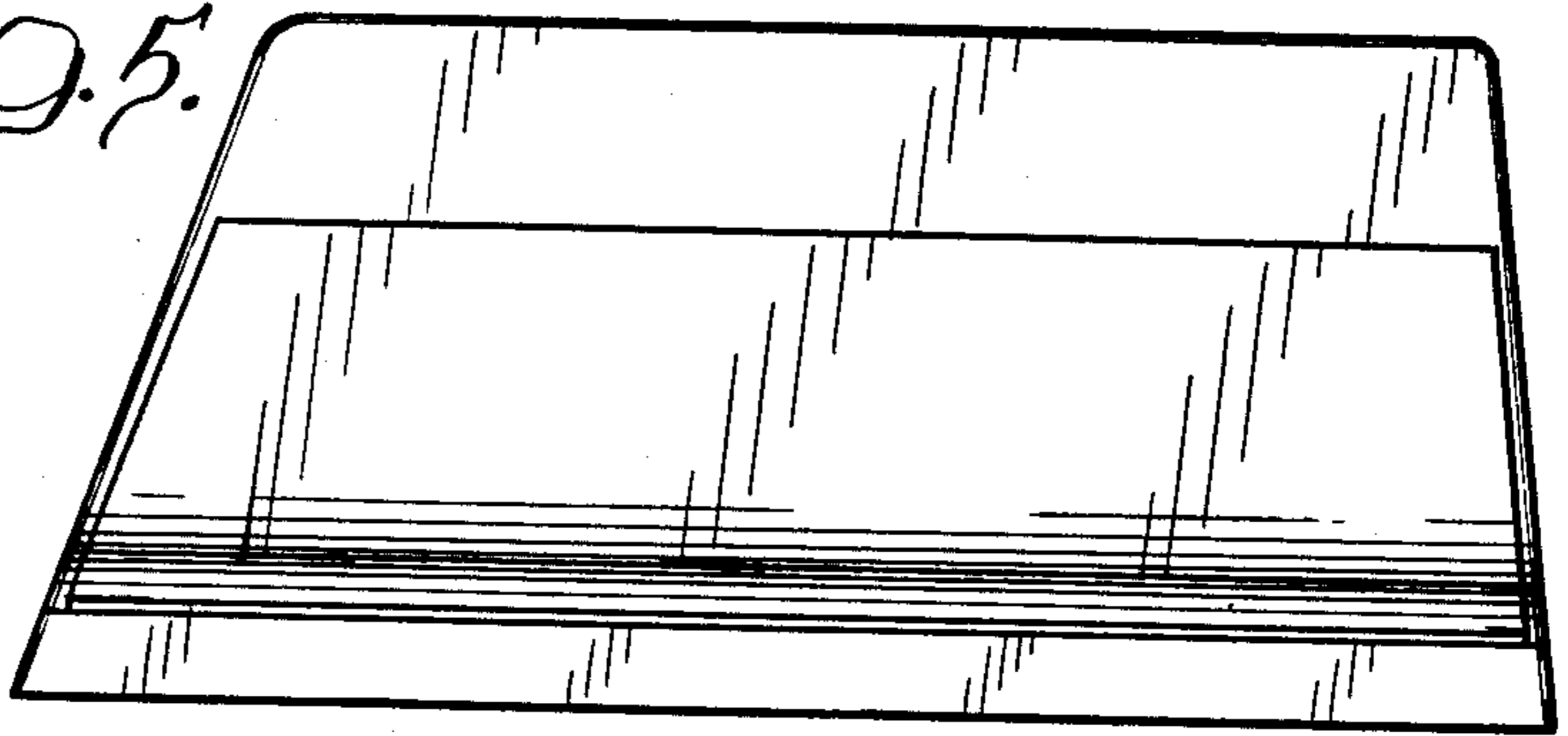


FIG. 6.

