

- [54] **STAND FOR A CURLER/STYLER**
- [75] Inventor: **Bernard B. Bluestein, Des Plaines, Ill.**
- [73] Assignee: **Sunbeam Corporation, Chicago, Ill.**
- [\*\*] Term: **14 Years**
- [21] Appl. No.: **640,335**
- [22] Filed: **Dec. 12, 1975**
- [51] Int. Cl. .... **D28-03**
- [52] U.S. Cl. .... **D28/38**
- [58] Field of Search ..... **D86/10 A, 10 E; 132/1 R, 37 R, 7, 9; 219/222, 225, 242**

D. 240,087 5/1976 Rawson ..... D86/10 E  
*Primary Examiner*—Joel Stearman  
*Assistant Examiner*—Louis S. Zarfes  
*Attorney, Agent, or Firm*—George R. Clark

[57] **CLAIM**

The ornamental design for a stand for a curler/styler, as shown and described.

**DESCRIPTION**

FIG. 1 is a perspective view of a stand for curler/styler showing my new design;  
 FIG. 2 is a front end elevational view thereof;  
 FIG. 3 is a top plan view thereof;  
 FIG. 4 is a rear end elevational view thereof;  
 FIG. 5 is a side elevational view of the side not shown in FIG. 1, the two side views being mirror images of one another; and  
 FIG. 6 is a longitudinal vertical sectional view taken generally along line 6-6 of FIG. 3.

- [56] **References Cited**
- U.S. PATENT DOCUMENTS**
- 1,367,952 2/1921 Emerson ..... 219/242
- 2,213,439 9/1940 Young ..... 219/242 X
- 3,293,528 12/1966 Rosen et al. .... 219/242

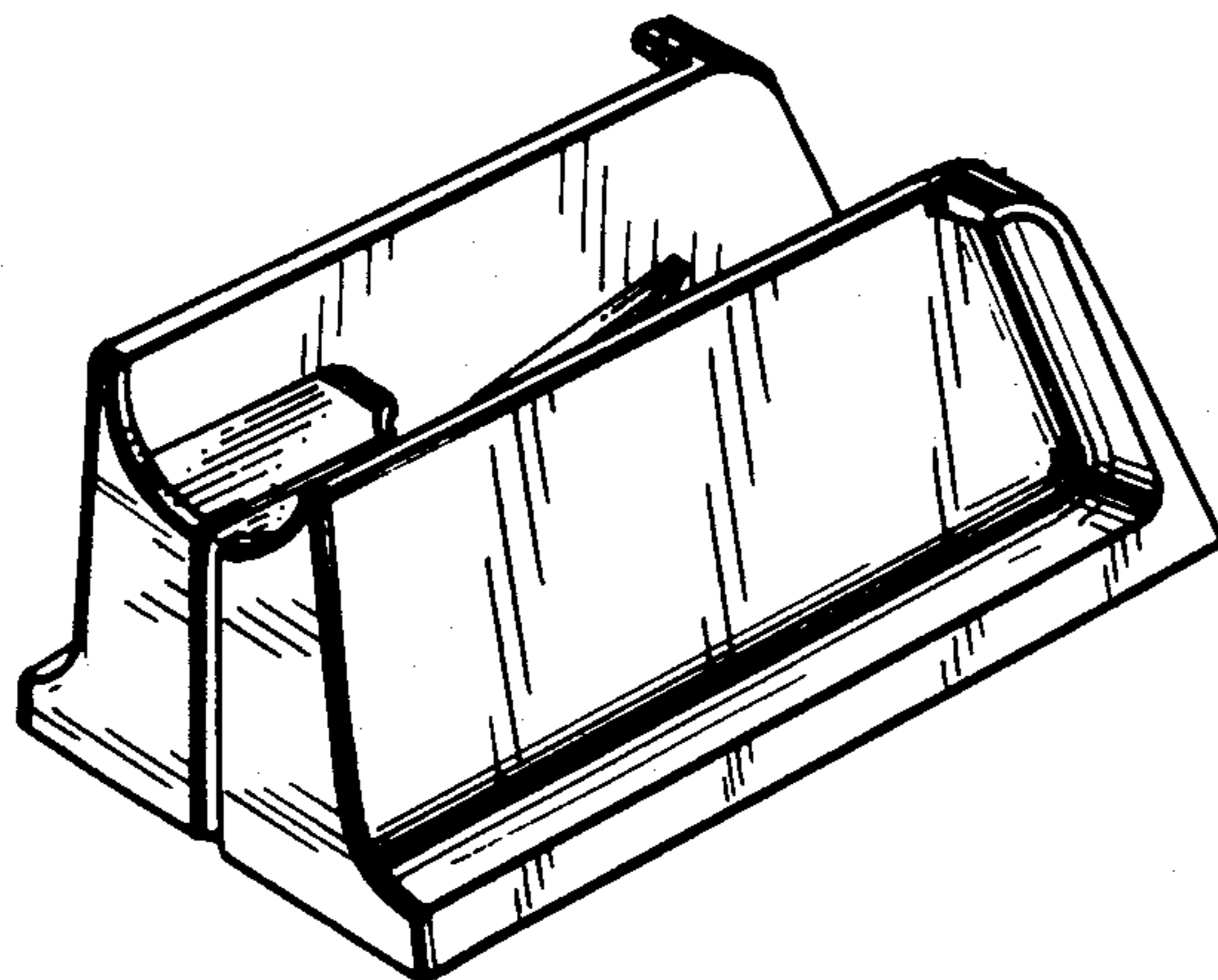


FIG. 1.

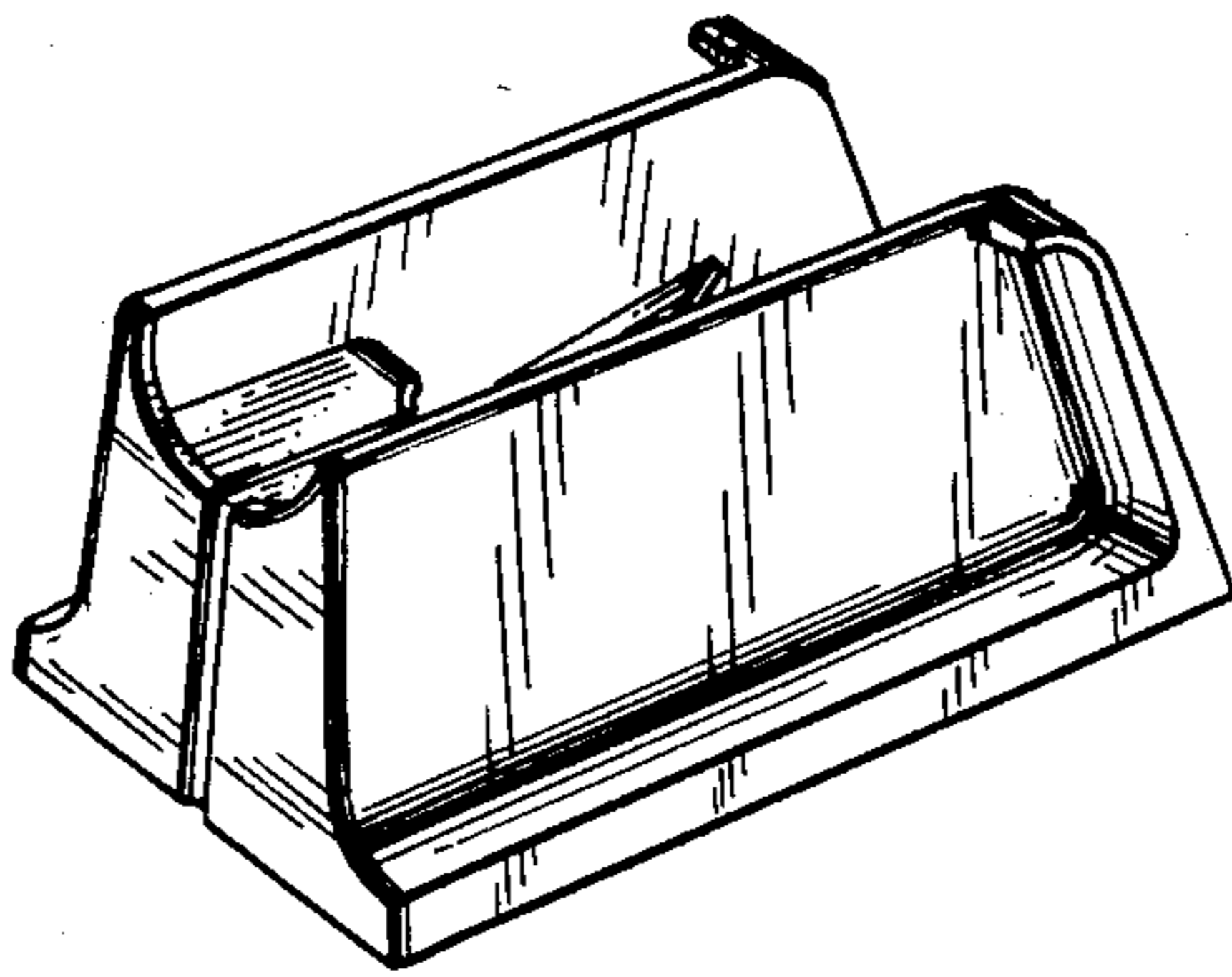


FIG. 3.

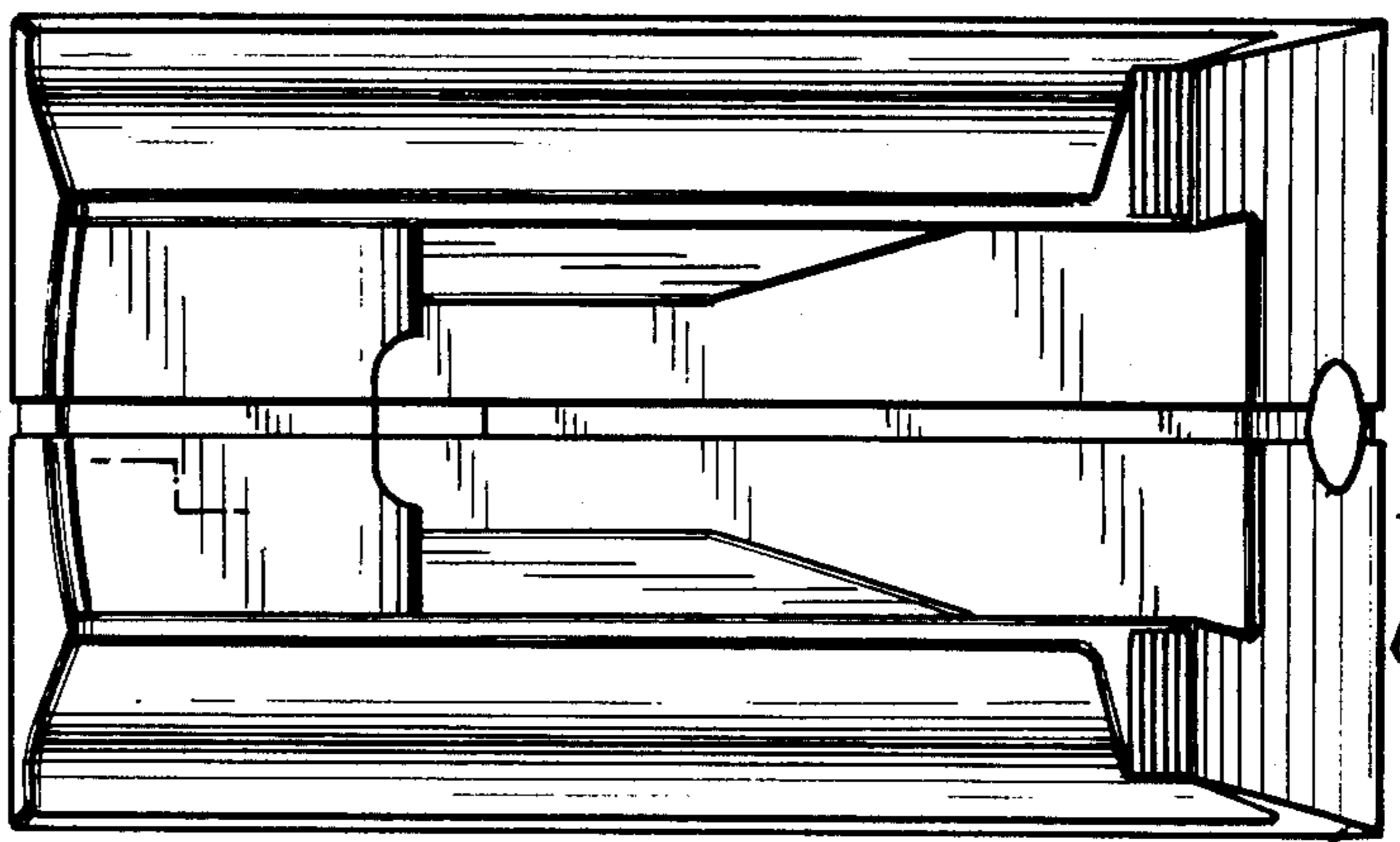
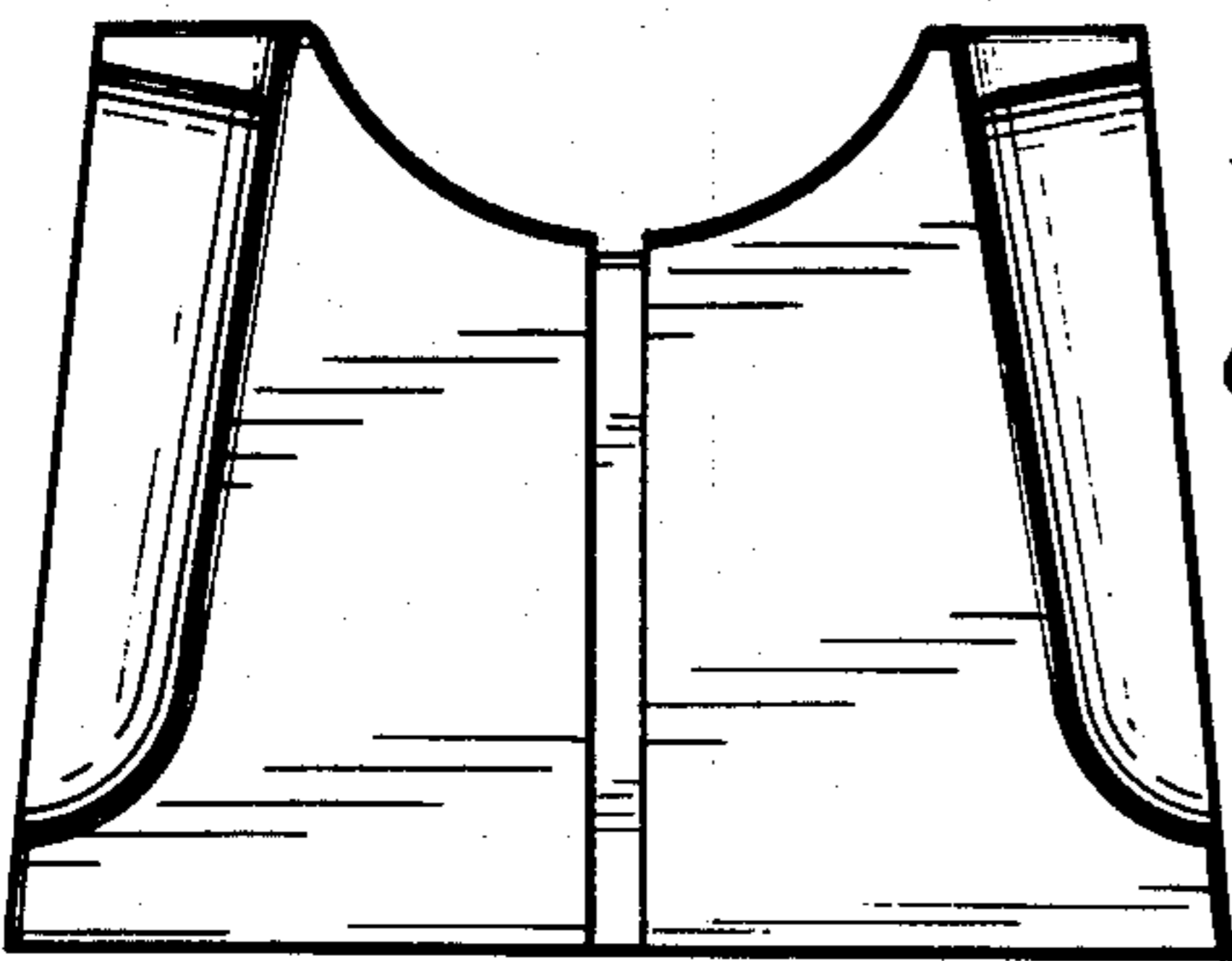


FIG. 2.



↑  
6.

↑  
6.

FIG. 4.

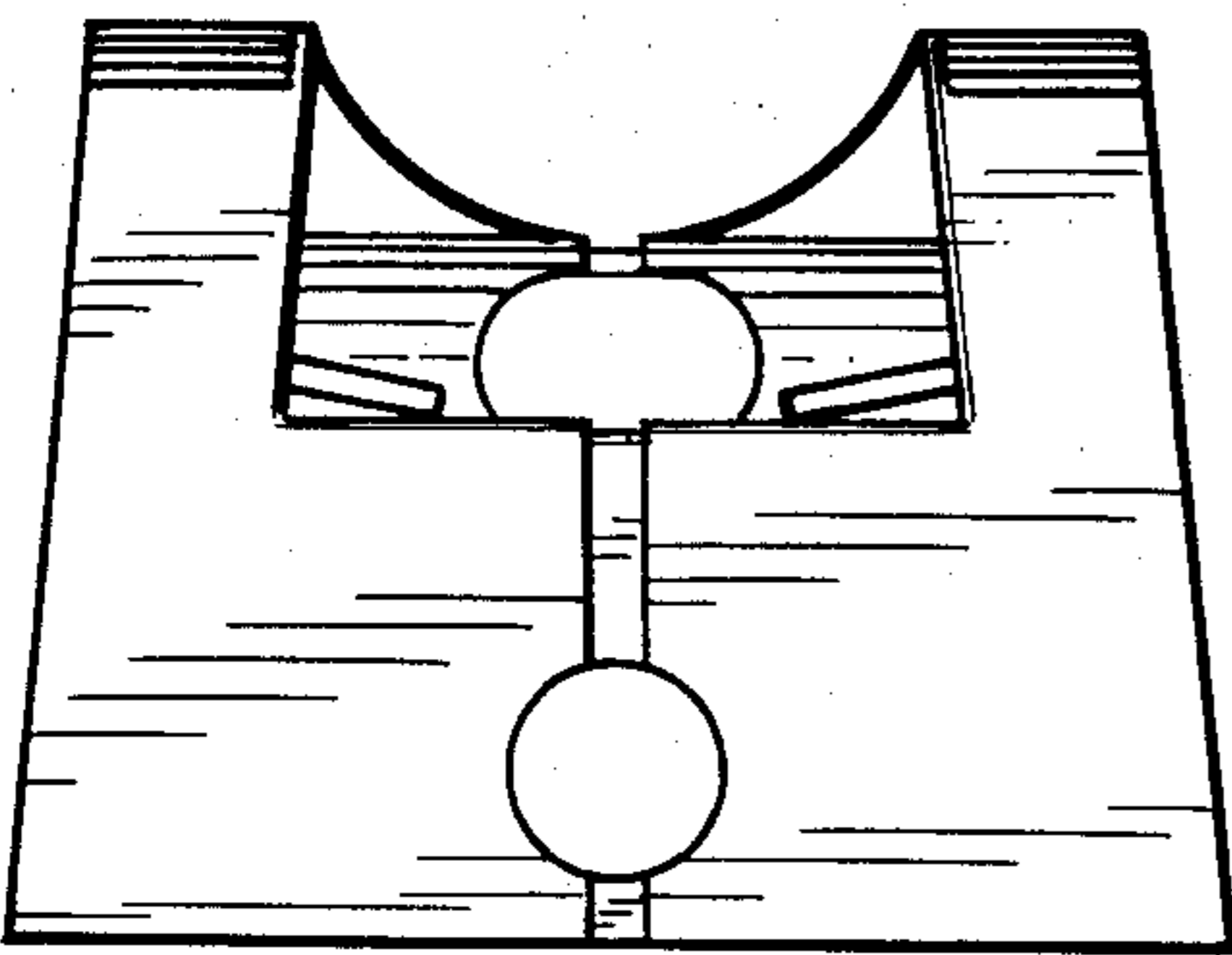


FIG. 5.

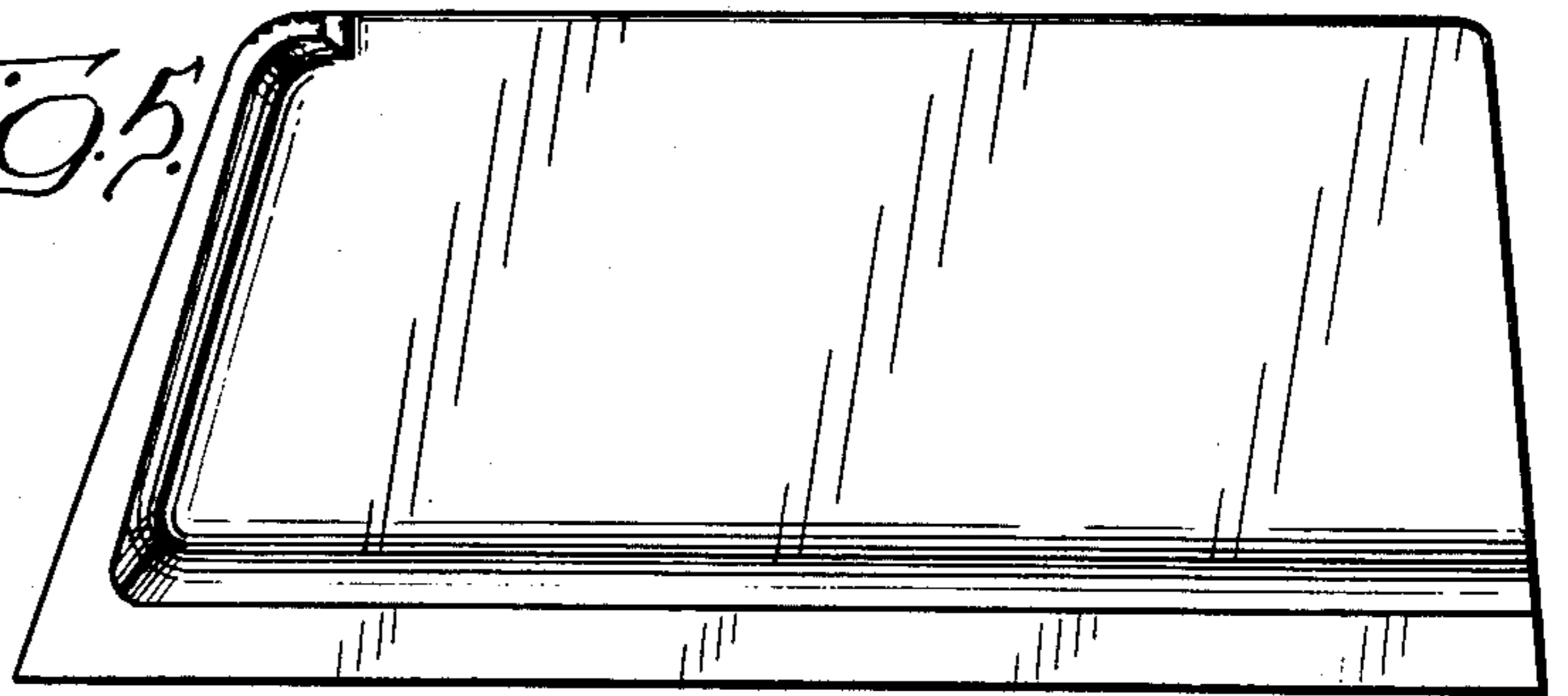


FIG. 6.

