

[54] DISPENSER

[76] Inventor: Lane T. Weitzman, 4647 Park Mirasol, Calabasas, Calif. 91302

[\*\*] Term: 14 Years

[21] Appl. No.: 604,108

[22] Filed: Aug. 13, 1975

[51] Int. Cl. .... D20-01

[52] U.S. Cl. .... D52/3 R

[58] Field of Search ..... D52/2 R, 3 R, 3 A, 3 B; 221/263, 264, 265, 266; 194/78, 79, 80, 37, 39

[56] References Cited

U.S. PATENT DOCUMENTS

2,853,172	9/1958	Angell .....	221/266
2,990,975	7/1961	Serenio .....	221/265

3,010,557	11/1961	Weitzman .....	D52/3 R X
3,298,569	7/1967	Weitzman .....	221/265
D. 49,333	7/1916	Giles .....	D52/3 R
D. 103,102	2/1937	Hoban .....	D52/3 R

Primary Examiner—Nelson C. Holtje  
Attorney, Agent, or Firm—Lewis Anten

[57] CLAIM

The ornamental design for a new dispenser, as shown and described.

DESCRIPTION

FIG. 1 is a top, front and right side perspective view of a dispenser showing my new design; FIG. 2 is a front elevational view thereof; FIG. 3 is a left side elevational view thereof; FIG. 4 is a top plan view thereof. The rear of the article, not shown, is substantially like that of FIG. 3 with the mechanisms omitted.

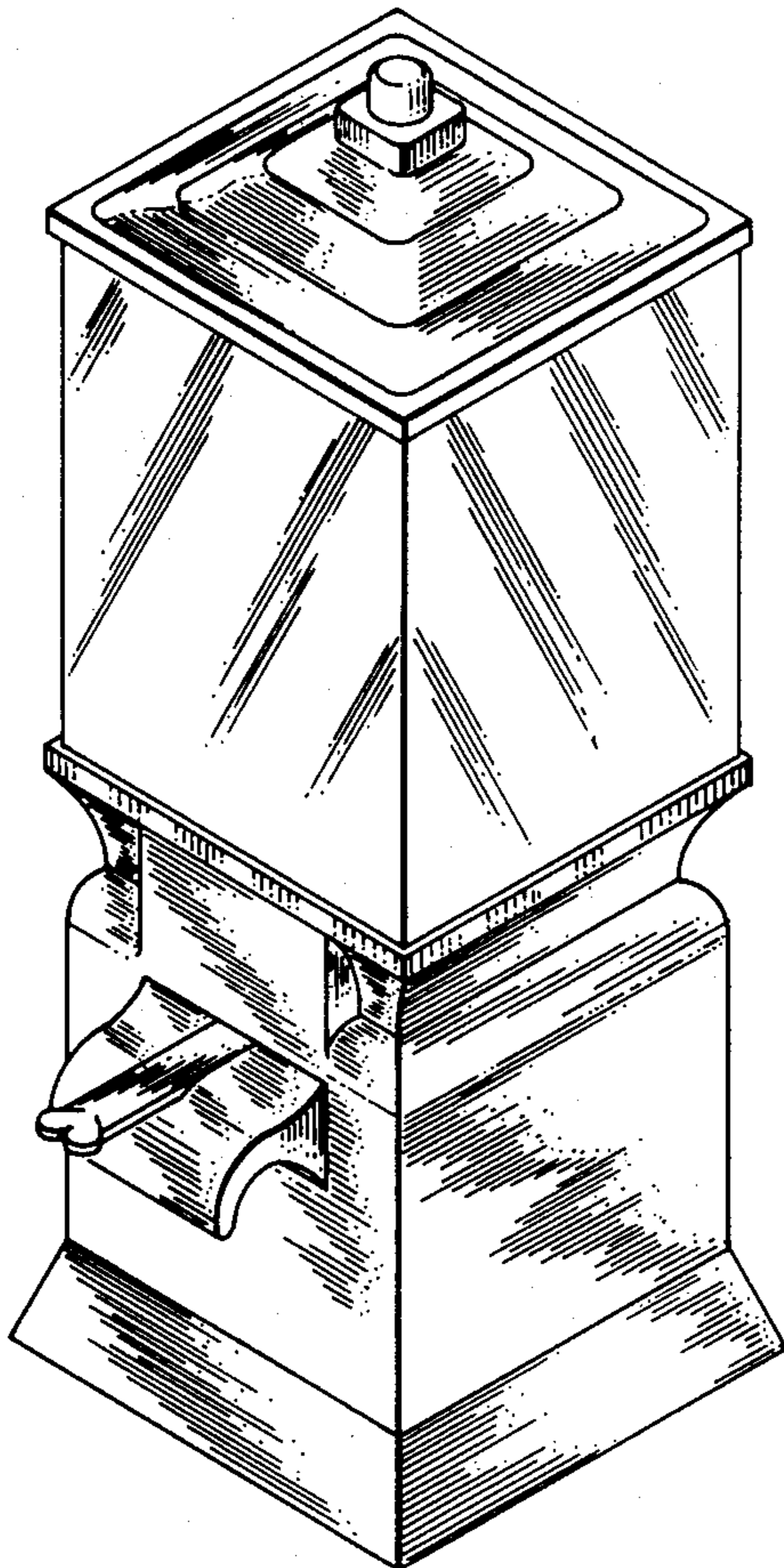


FIG. 1

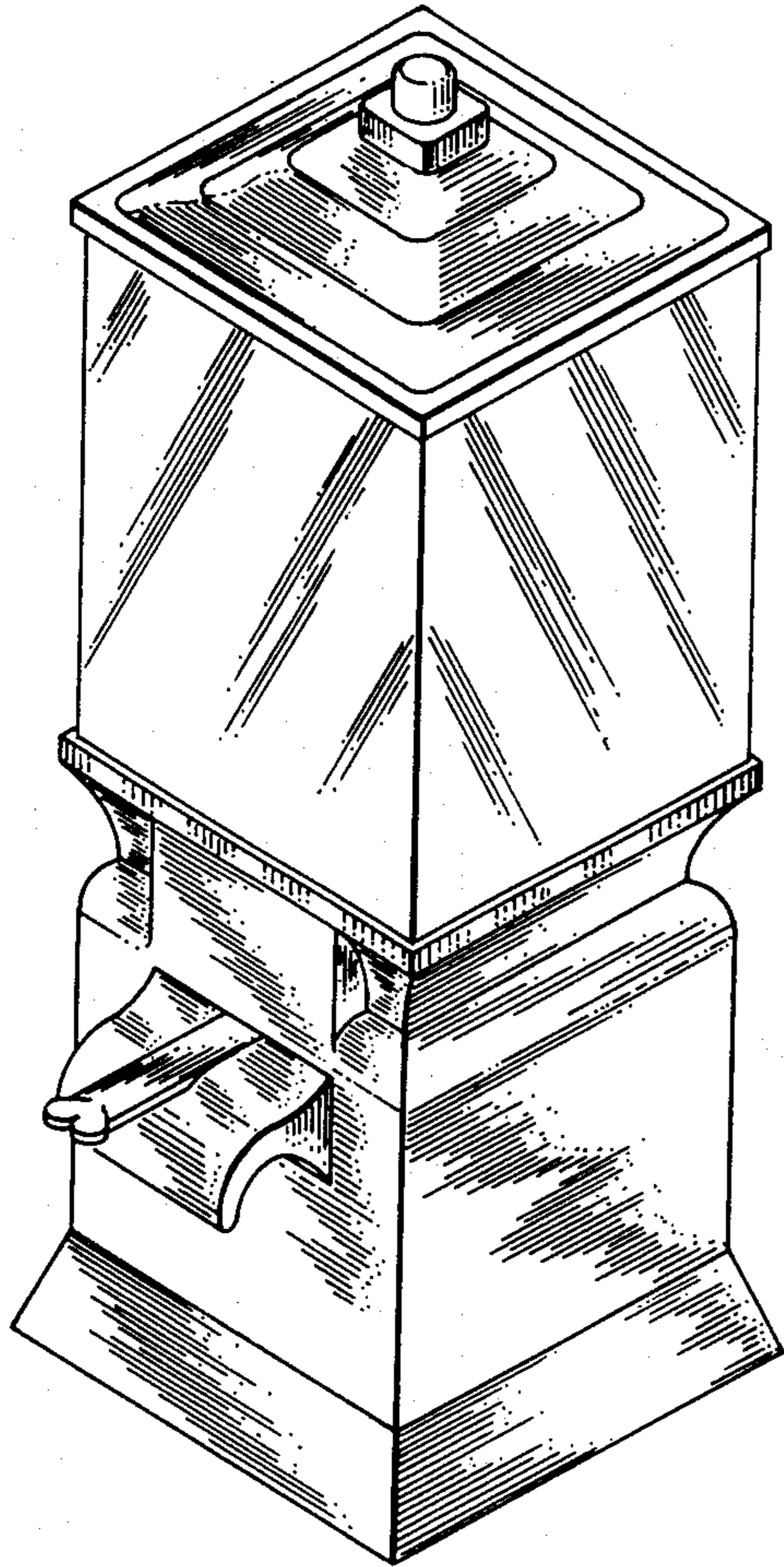


FIG. 2

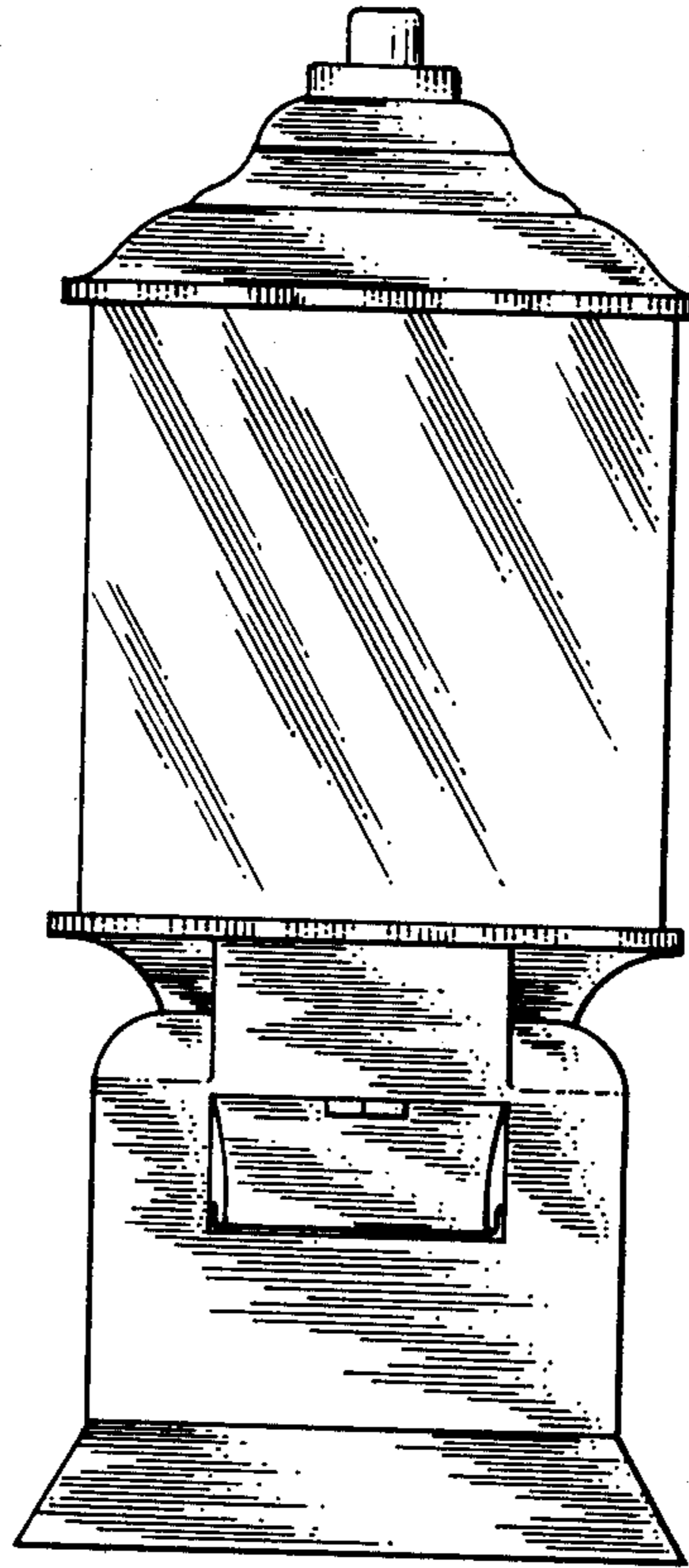


FIG. 3

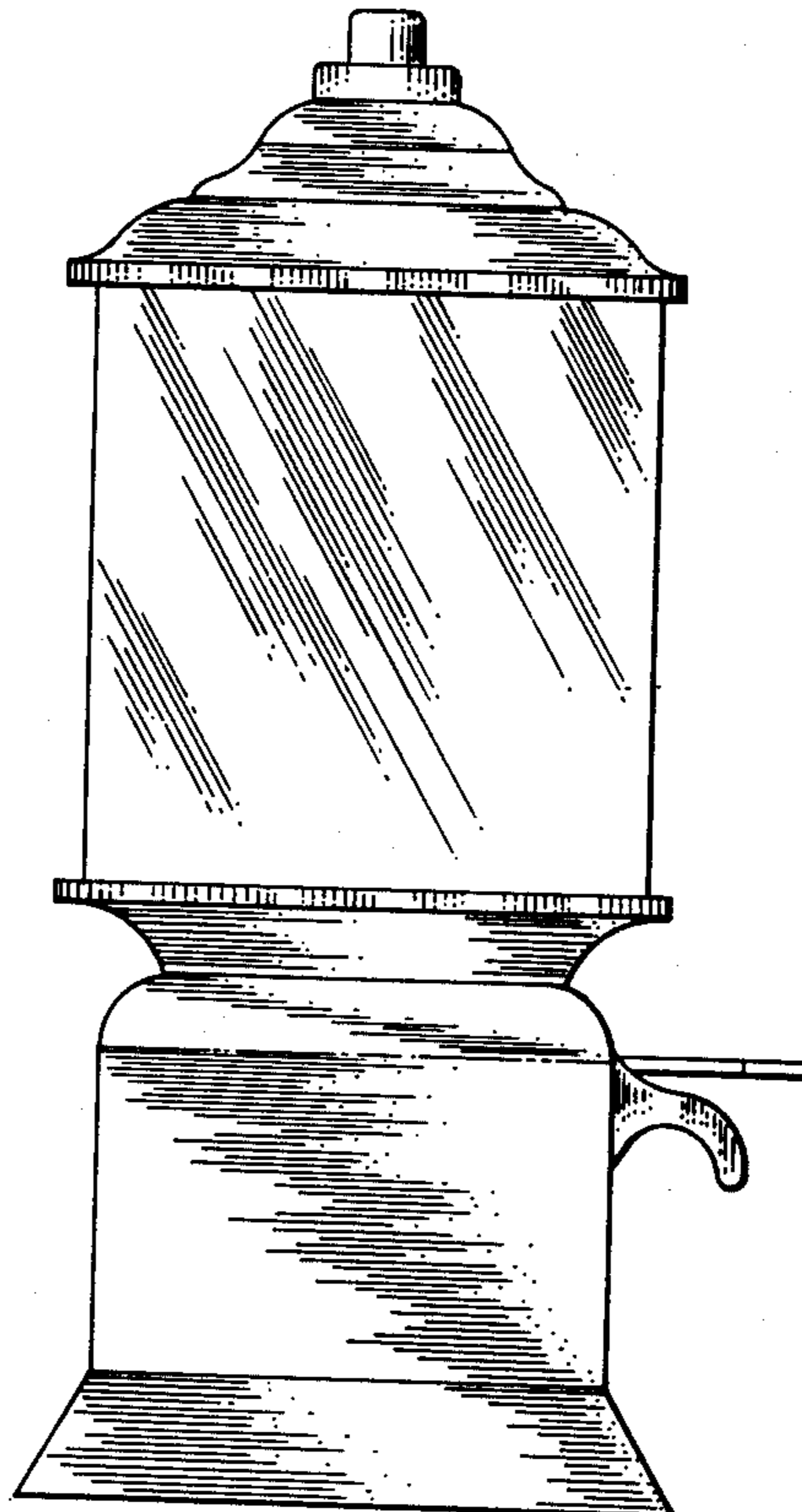


FIG. 4

